

LPC series

2 mm Pitch Connectors

Outline

LPC series of 2 mm pitch connectors have been developed to meet market needs for light weight and small size. These connectors are best suited for high-density mounting.

Features

- Ensures highly reliable contact by using HONDA's unique two-point contact design.
- Two types of contact surface, tin plate, tin copper plate or gold plate, are offered, so that selection can be made as required.
- The insulating material is UL-approved.
- These connectors are available in various forms: for use with shunt plugs, with a simple locking mechanism, and SMT type mounting.
- Cable connection is by either crimping or IDC type.

Principal Applications

FDD, HDD, office automation equipment, communications equipment, FA machine, etc.

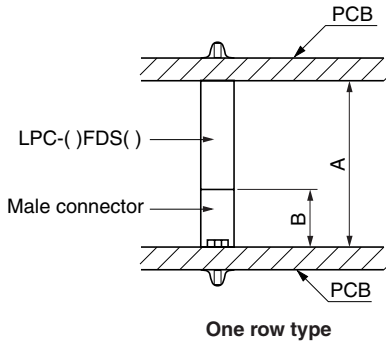
Electrical Characteristics

	LPC series	LPC-B series
Rated voltage	125V AC (r.m.s.)	150V AC (r.m.s.)
Rated current	1 A	1 A per one contact
Insulation resistance	Over 1000 megohms at 500V DC	Over 1000 megohms at 500V DC
Dielectric withstanding voltage	500V AC (r.m.s.)	500V AC (r.m.s.)
Contact resistance	50 milliohms or less	30 milliohms or less

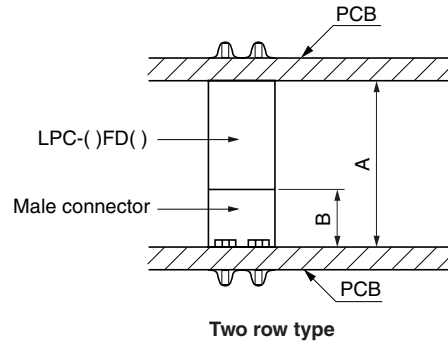
Document Disclaimer

- When placing orders with us, minimum order quantities are set for every product.
- Be sure to contact us before starting preliminary design of PCBs using our connectors.
- The specifications and information shown in the catalog are subject to change without notice.

Dimensions of Connector Mounting for Reference Purposes

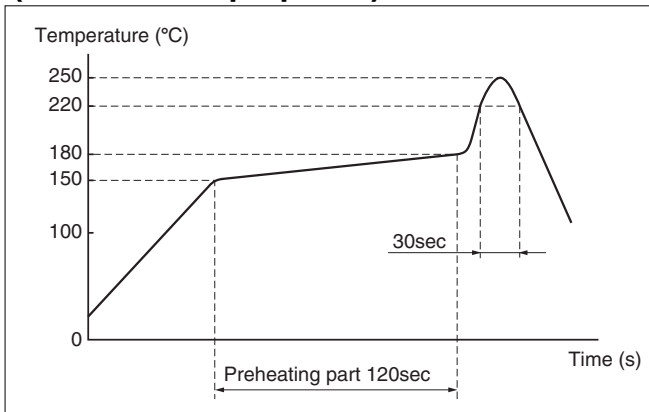


Part No. of male connector	A	B
LPC-()M()	7	2
LPC-()MA()	6.4	1.4



Part No. of male connector	A	B
LPC-()M2()	7	2
LPC-()T1M2()	8.4	3.4
LPC-()MA2()	6.4	1.4
LPC-()MB2()	9	4
LPC-()MC2()	11	6
LPC-()MD2()	9.8	4.8
LPC-()MH2()	13	8

Reflow temperature profile (for reference purposes)



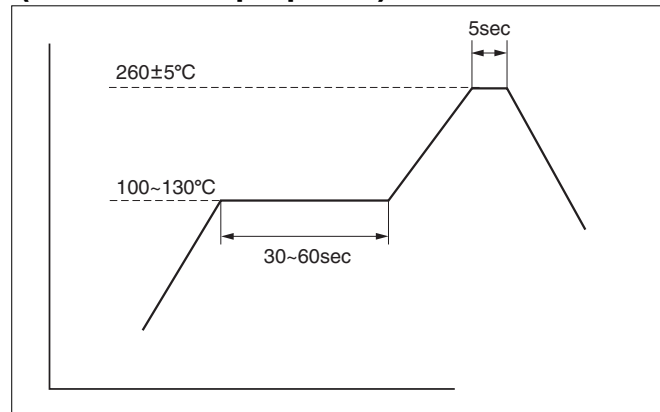
The reflow temperature profile shown in this drawing is for reference purposes. This profile depends on requirements such as reflow equipment, soldering paste, and PCB size. Thus, this profile may not meet with your specific situation. Please evaluate your PCB-mounting soldering and set your own reflow temperature profile.

●Applicable products

LPC-A4M()	LPC-A26MB2L+C
LPC-()MY2CG+	LPC-()FY()
LPC-A()MB2()	LPC-B()MY2()
LPC-A4T2M2LB+C	LPC-B()MY2L()+

The profile shown in this drawing is applicable only for those products shown above.

Flow temperature profile (for reference purposes)



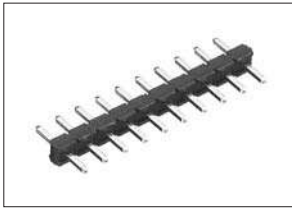
The flow temperature profile as shown above is for reference purposes. This profile depends on requirements such as the PCB size. Thus, this profile may not meet with your specific situation. Please evaluate your PCB-mounting soldering and set your own flow temperature profile.

●Applicable products

LPC series through hole type connector

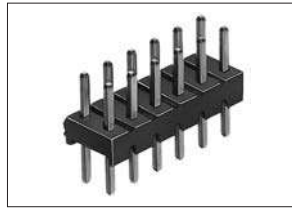
The profile shown in this drawing is applicable only for those products shown above.

Product List



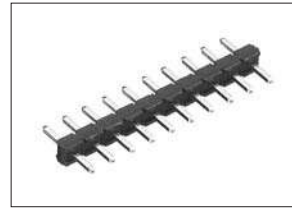
Straight through hole type male connector for PCB
LPC-() (T) M()

C-8
LPC series...6



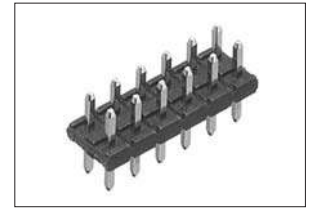
Straight through hole type male connector for PCB
LPC-() (T) M2()

C-9
LPC series...7



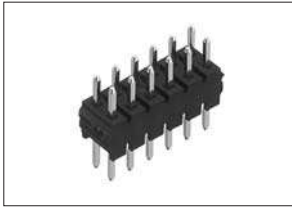
Straight through hole type male connector for PCB
LPC-() (T) MA()

C-10
LPC series...8



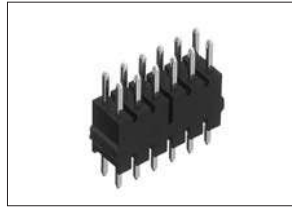
Straight through hole type male connector for PCB
LPC-() (T) MA2()

C-11
LPC series...9



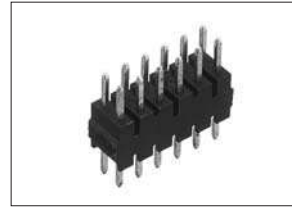
Straight through hole type male connector for PCB
LPC-() (T) MB2()

C-12
LPC series...10



Straight through hole type male connector for PCB
LPC-() (T) MC2()

C-13
LPC series...11



Straight through hole type male connector for PCB
LPC-() MD2()

C-14
LPC series...12



Straight through hole type male connector for PCB
LPC-() MH2()

C-15
LPC series...13



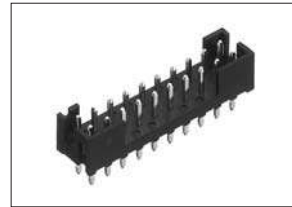
Right-angle through hole type male connector for PCB
LPC-() (T) ML()

C-16
LPC series...14



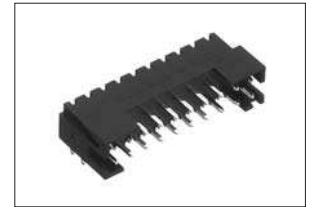
Right-angle through hole type male connector for PCB
LPC-() (T) M2L()

C-17
LPC series...15



Straight through hole type male connector for PCB
LPC-() PM2()

C-18
LPC series...16



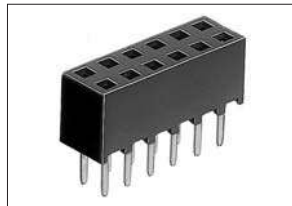
Right-angle through hole type male connector for PCB
LPC-() PM2L()

C-19
LPC series...17



Straight through hole type female connector for PCB
LPC-() FDS()

C-20
LPC series...18



Straight through hole type female connector for PCB
LPC-() FD()

C-21
LPC series...19



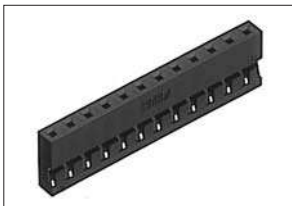
Shunt plug
LPC-SP()

C-22
LPC series...20



Shunt plug
LPC-6SP()

C-23
LPC series...21



Cable crimping type female insulator
LPC-() FS01

C-24
LPC series...22



Cable crimping type female insulator
LPC-() F02

C-25
LPC series...23



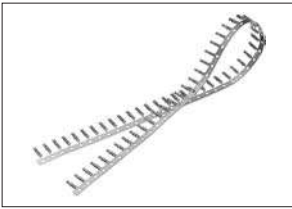
Cable crimping type female insulator
LPC-() PF02

C-26
LPC series...24

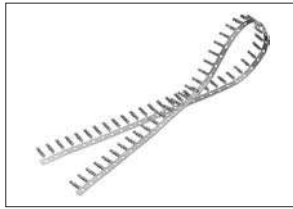


Housing
LPC-26L

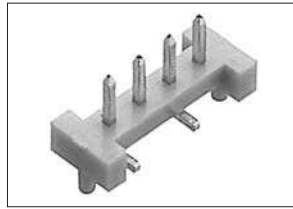
C-27
LPC series...25



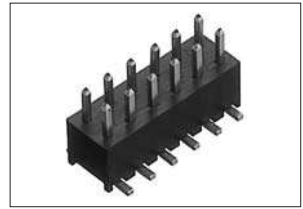
Cable crimping type female contact
(For hand tool)
LPC-F11()(-) ()
C-28
LPC series...26



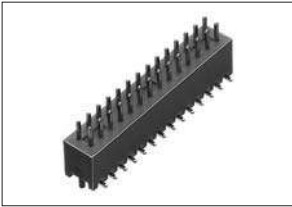
Cable crimping type female contact
(For automatic machine)
LPC-F10() ()
C-29
LPC series...27



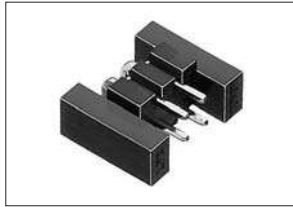
Straight SMT type male connector for PCB
LPC-A4M()
C-30
LPC series...28



Straight SMT type male connector for PCB
LPC-()MY2CG+
C-31
LPC series...29



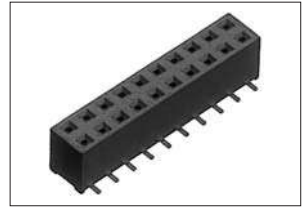
Straight SMT type male connector for PCB
LPC-A()MB2()
C-32
LPC series...30



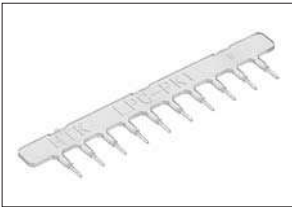
Right-angle SMT type male connector for PCB
LPC-A4T2M2LB+C
C-33
LPC series...31



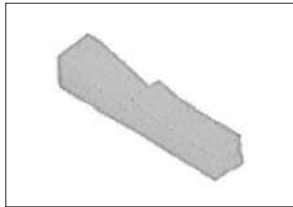
Right-angle SMT type male connector for PCB
LPC-A26MB2L+C
C-34
LPC series...32



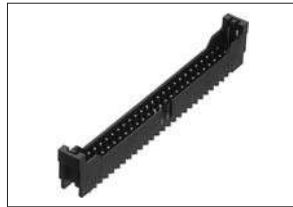
Straight SMT type female connector for PCB
LPC-()FY()
C-35
LPC series...33



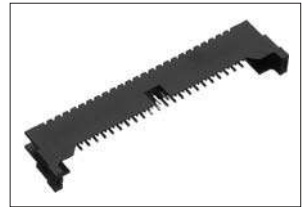
Polarization keys
LPC-PK1
C-36
LPC series...34



Polarization key
LPC-PK
C-37
LPC series...35



Straight through hole type male connector for PCB
LPC-B()M2()
C-38
LPC series...36



Right-angle through hole type male connector for PCB
LPC-B()M2L()
C-39
LPC series...37



Straight SMT type male connector for PCB
LPC-B()MY2()
C-40
LPC series...38



Right-angle SMT type male connector for PCB
LPC-B()MY2L()+
C-41
LPC series...39



IDC type female connector for flat cable
LPC-B()FA()
C-42
LPC series...40



Cable assembly
LPC-B() () () () () ()
C-43
LPC series...41

Straight through hole type male connector for PCB LPC-() (T) M ()

2 mm pitch connector

For PCB

Straight Through hole

RoHS

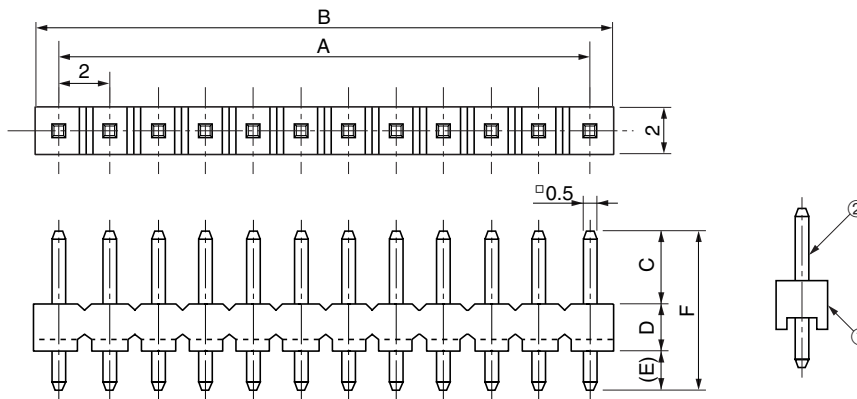


● Configuration of product Part No.

LPC- () (T) M ()

① ② ③ ④

- ① Series name
- ② No. of contacts: 1–30
- ③ Length No. of contact:
Refer to the table of dimensions below.
- ④ Contact plating
+S: Tin plate
G : Gold plate



● Dimensions

Part No.	A	B	Part No.	A	B	Part No.	A	B
LPC-1(T)M()	—	2	LPC-11(T)M()	20	22	LPC-21(T)M()	40	42
LPC-2(T)M()	2	4	LPC-12(T)M()	22	24	LPC-22(T)M()	42	44
LPC-3(T)M()	4	6	LPC-13(T)M()	24	26	LPC-23(T)M()	44	46
LPC-4(T)M()	6	8	LPC-14(T)M()	26	28	LPC-24(T)M()	46	48
LPC-5(T)M()	8	10	LPC-15(T)M()	28	30	LPC-25(T)M()	48	50
LPC-6(T)M()	10	12	LPC-16(T)M()	30	32	LPC-26(T)M()	50	52
LPC-7(T)M()	12	14	LPC-17(T)M()	32	34	LPC-27(T)M()	52	54
LPC-8(T)M()	14	16	LPC-18(T)M()	34	36	LPC-28(T)M()	54	56
LPC-9(T)M()	16	18	LPC-19(T)M()	36	38	LPC-29(T)M()	56	58
LPC-10(T)M()	18	20	LPC-20(T)M()	38	40	LPC-30(T)M()	58	60

Part No.	C	D	(E)	F	Part No.	C	D	(E)	F	
LPC-()M()	3	2	2.6	7.6	LPC-()T14M()	3	15.2	5	10	
LPC-()T1M()		3.4	2.7	9.1	LPC-()T15M()			2.6	19.8	
LPC-()T3M()		1.65	6.65	LPC-()T16M()	3			9.6	14.6	
LPC-()T4M()	8	2	4.5	9.5	LPC-()T18M()	2	8.5	1.8	6.8	
LPC-()T5M()			2.6	12.6	LPC-()T19M()			3.5	2.5	13
LPC-()T6M()			7.5	12.1	LPC-()T20M()			6	1.5	9.5
LPC-()T7M()	4	2	2.5	8.5	LPC-()T21M()	6	13.6	2.5	18.1	
LPC-()T8M()	5.5		1	LPC-()T22M()	5.4			2.6	10	
LPC-()T9M()	8		2	12						
LPC-()T10M()	9	2	2.6	13.6						
LPC-()T12M()	10			14.6						

*See note #1

Because some combinations of "Configurations of Product Part No.", are under consideration for development, please contact us for availability details.

● Components

①	Insulator
②	Contacts

*Note #1: for 16 contacts or less

Mating connectors: LPC series female connectors or shunt plugs

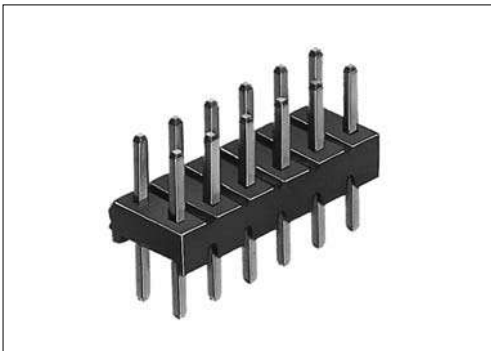
Straight through hole type male connector for PCB LPC-() (T) M2()

2 mm pitch connector

For PCB

Straight Through hole

RoHS



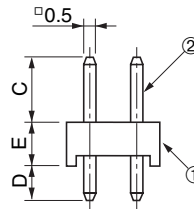
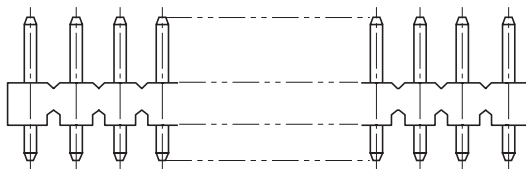
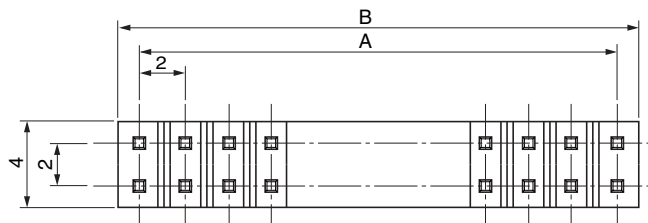
● Configuration of product Part No.

LPC- () (T) M2 ()

① ② ③ ④

- ① Series name
- ② No. of contacts: 4-60
- ③ Length No. of contact:
Refer to the table of dimensions below.
- ④ Contact plating
+S: Tin plate
G : Gold plate

● Dimensions



Part No.	A	B
LPC-4(T)M2()	2	4
LPC-6(T)M2()	4	6
LPC-8(T)M2()	6	8
LPC-10(T)M2()	8	10
LPC-12(T)M2()	10	12
LPC-14(T)M2()	12	14
LPC-16(T)M2()	14	16
LPC-18(T)M2()	16	18
LPC-20(T)M2()	18	20
LPC-22(T)M2()	20	22
LPC-24(T)M2()	22	24
LPC-26(T)M2()	24	26
LPC-28(T)M2()	26	28
LPC-30(T)M2()	28	30
LPC-32(T)M2()	30	32
LPC-34(T)M2()	32	34
LPC-36(T)M2()	34	36
LPC-38(T)M2()	36	38
LPC-40(T)M2()	38	40
LPC-42(T)M2()	40	42
LPC-44(T)M2()	42	44
LPC-46(T)M2()	44	46
LPC-48(T)M2()	46	48
LPC-50(T)M2()	48	50
LPC-52(T)M2()	50	52
LPC-54(T)M2()	52	54
LPC-56(T)M2()	54	56
LPC-58(T)M2()	56	58
LPC-60(T)M2()	58	60

● Components

①	Insulator
②	Contacts

Because some combinations of "Configurations of Product Part No.", are under consideration for development, please contact us for availability details.

Part No.	C	D	E
LPC-()M2()	3	(2.6)	2
LPC-()T1M2()		2.7	3.4
LPC-()T2M2()		(12)	2
LPC-()T4M2()	(4.5)		
LPC-()T7M2()	4	(2.5)	2
LPC-()T11M2()	3	(14.8)	
LPC-()T17M2()	(1)	1.4	
LPC-()T18M2()	3	(1.8)	2

Mating connectors: LPC series female connectors or shunt plugs

Straight through hole type male connector for PCB LPC-() (T) MA ()

2 mm pitch connector

For PCB

Straight Through hole

Low profile

RoHS

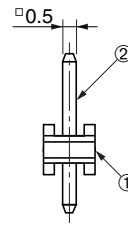
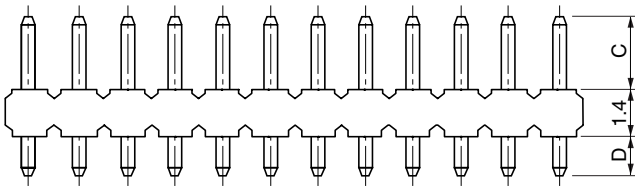
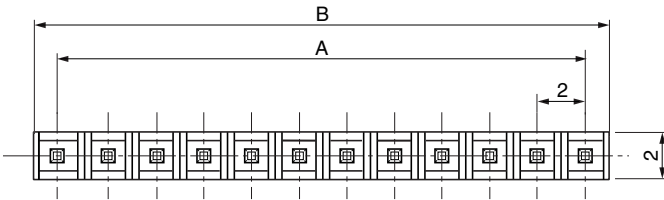


● Configuration of product Part No.

LPC- () (T) MA ()

① ② ③ ④

- ① Series name
- ② No. of contacts: 1-16
- ③ Length No. of contact:
Refer to the table of dimensions below.
- ④ Contact plating
+S: Tin plate
G : Gold plate



● Dimensions

Part No.	A	B
LPC-1(T)MA()	-	2
LPC-2(T)MA()	2	4
LPC-3(T)MA()	4	6
LPC-4(T)MA()	6	8
LPC-5(T)MA()	8	10
LPC-6(T)MA()	10	12
LPC-7(T)MA()	12	14
LPC-8(T)MA()	14	16
LPC-9(T)MA()	16	18
LPC-10(T)MA()	18	20
LPC-11(T)MA()	20	22
LPC-12(T)MA()	22	24
LPC-13(T)MA()	24	26
LPC-14(T)MA()	26	28
LPC-15(T)MA()	28	30
LPC-16(T)MA()	30	32

Part No.	C	D
LPC-()MA()	3	3
LPC-()TMA()	2.5	2.5
LPC-()T1MA()	4.4	1.6
LPC-()T2MA()	3.9	2.1
LPC-()T3MA()	7.5	
LPC-()T4MA()	5.2	2.5
LPC-()T5MA()	4	1.4
LPC-()T6MA()	7.5	0.2
LPC-()T7MA()	7	0.7
LPC-()T8MA()	9.3	0.3

● Components

① Insulator
② Contacts

Because some combinations of "Configurations of Product Part No.", are under consideration for development, please contact us for availability details.

Mating connectors: LPC series female connectors or shunt plugs

Straight through hole type male connector for PCB LPC-() (T) MA2()

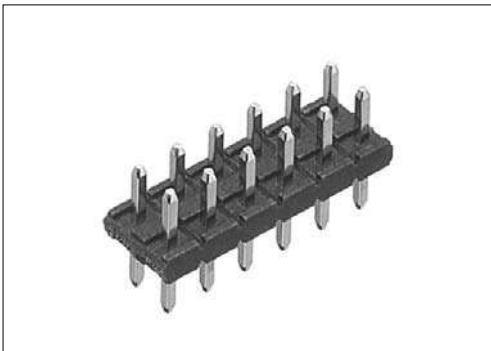
2 mm pitch connector

For PCB

Straight Through hole

Low profile

RoHS

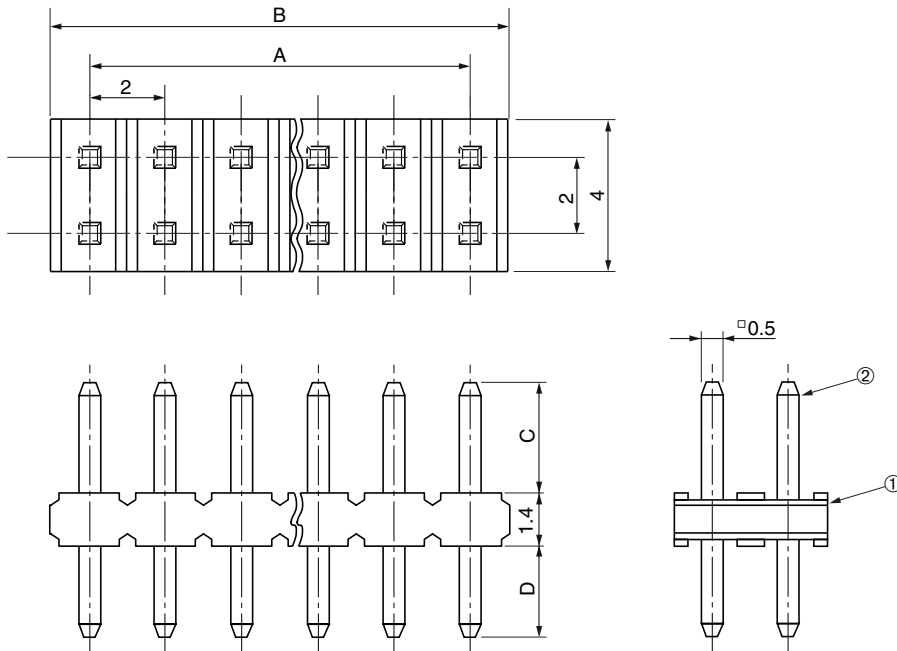


● Configuration of product Part No.

LPC- () (T) MA2 ()

① ② ③ ④

- ① Series name
- ② No. of contacts: 4-24
- ③ Length No. of contact:
Refer to the table of dimensions below.
- ④ Contact plating
+S: Tin plate
G : Gold plate



● Dimensions

Part No.	A	B
LPC-4(T)MA2()	2	4
LPC-6(T)MA2()	4	6
LPC-8(T)MA2()	6	8
LPC-10(T)MA2()	8	10
LPC-12(T)MA2()	10	12
LPC-14(T)MA2()	12	14
LPC-16(T)MA2()	14	16
LPC-18(T)MA2()	16	18
LPC-20(T)MA2()	18	20
LPC-22(T)MA2()	20	22
LPC-24(T)MA2()	22	24

Part No.	C	D
LPC-()MA2()	3	3
LPC-()TMA2()	2.5	2.5
LPC-()T1MA2()	1.5	
LPC-()T2MA2()	2	1
LPC-()T3MA2()	1.5	2
LPC-()T4MA2()		2.9
LPC-()T5MA2()	2.9	2.1
LPC-()T6MA2()	3.5	5.7
LPC-()T7MA2()		5.1

● Components

①	Insulator
②	Contacts

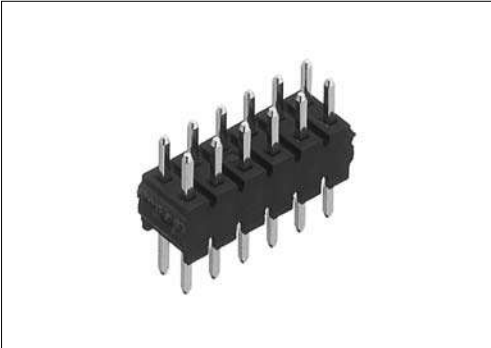
Because some combinations of "Configurations of Product Part No.", are under consideration for development, please contact us for availability details.

Mating connectors: LPC series female connectors or shunt plugs

Straight through hole type male connector for PCB
LPC-() (T) MB2()

2 mm pitch connector
For PCB
Straight Through hole

RoHS

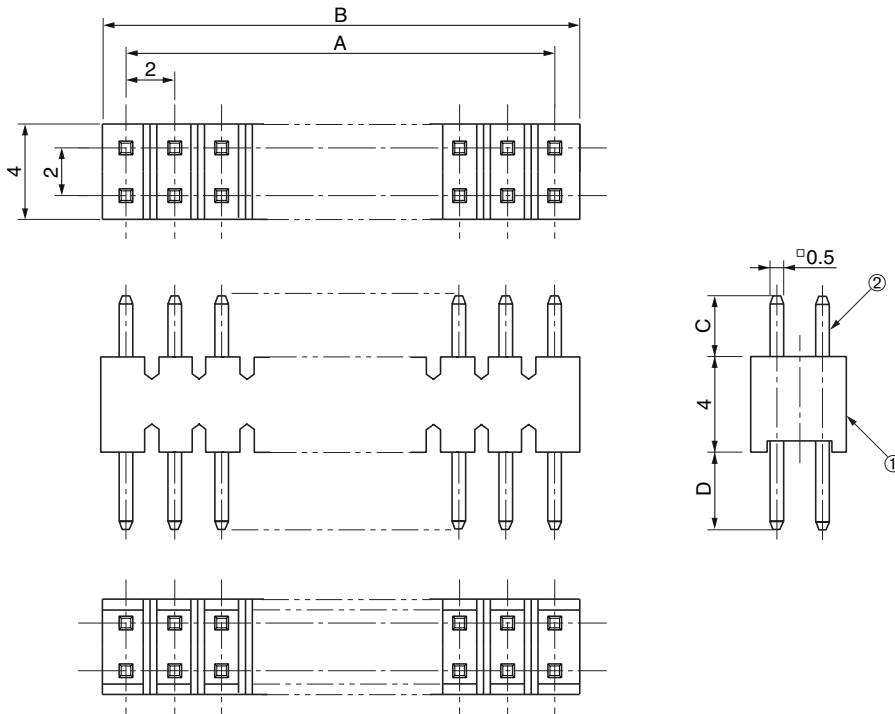


● Configuration of product Part No.

LPC- () (T) MB2 ()

① ② ③ ④

- ① Series name
- ② No. of contacts: 2-50
- ③ Length No. of contact:
Refer to the table of dimensions below.
- ④ Contact plating
+S: Tin plate
G : Gold plate



● Dimensions

Part No.	A	B
LPC-2(T)MB2()	-	2
LPC-4(T)MB2()	2	4
LPC-6(T)MB2()	4	6
LPC-8(T)MB2()	6	8
LPC-10(T)MB2()	8	10
LPC-12(T)MB2()	10	12
LPC-14(T)MB2()	12	14
LPC-16(T)MB2()	14	16
LPC-18(T)MB2()	16	18
LPC-20(T)MB2()	18	20
LPC-22(T)MB2()	20	22
LPC-24(T)MB2()	22	24
LPC-26(T)MB2()	24	26
LPC-28(T)MB2()	26	28
LPC-30(T)MB2()	28	30
LPC-32(T)MB2()	30	32
LPC-34(T)MB2()	32	34
LPC-36(T)MB2()	34	36
LPC-38(T)MB2()	36	38
LPC-40(T)MB2()	38	40
LPC-42(T)MB2()	40	42
LPC-44(T)MB2()	42	44
LPC-46(T)MB2()	44	46
LPC-48(T)MB2()	46	48
LPC-50(T)MB2()	48	50

Part No.	C	D
LPC-()MB2()	3	3
LPC-()TMB2()	3.6	
LPC-()TMB2()	3.1	2

● Components

①	Insulator
②	Contacts

Because some combinations of "Configurations of Product Part No.", are under consideration for development, please contact us for availability details.

Mating connectors: LPC series female connectors or shunt plugs

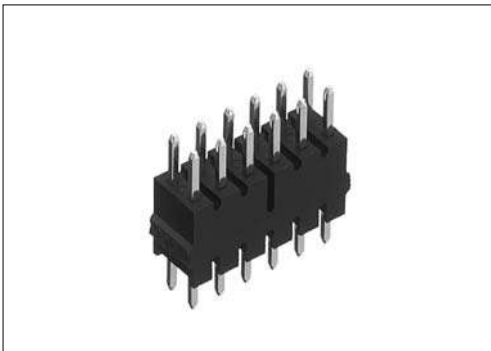
Straight through hole type male connector for PCB LPC-() (T) MC2()

2 mm pitch connector

For PCB

Straight Through hole

RoHS

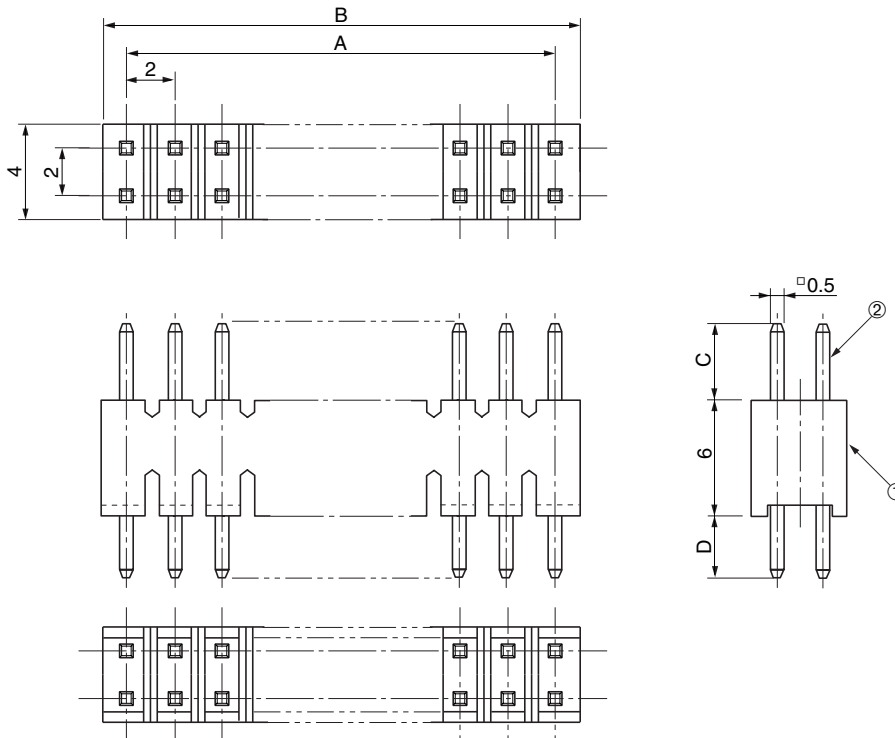


● Configuration of product Part No.

LPC- () (T) MC2 ()

① ② ③ ④

- ① Series name
- ② No. of contacts: 2-50
- ③ Length No. of contact:
Refer to the table of dimensions below.
- ④ Contact plating
+S: Tin plate
G : Gold plate



● Dimensions

Part No.	A	B
LPC-2MC2()	-	2
LPC-4MC2()	2	4
LPC-6MC2()	4	6
LPC-8MC2()	6	8
LPC-10MC2()	8	10
LPC-12MC2()	10	12
LPC-14MC2()	12	14
LPC-16MC2()	14	16
LPC-18MC2()	16	18
LPC-20MC2()	18	20
LPC-22MC2()	20	22
LPC-24MC2()	22	24
LPC-26MC2()	24	26
LPC-28MC2()	26	28
LPC-30MC2()	28	30
LPC-32MC2()	30	32
LPC-34MC2()	32	34
LPC-36MC2()	34	36
LPC-38MC2()	36	38
LPC-40MC2()	38	40
LPC-42MC2()	40	42
LPC-44MC2()	42	44
LPC-46MC2()	44	46
LPC-48MC2()	46	48
LPC-50MC2()	48	50

● Components

① Insulator
② Contacts

Because some combinations of "Configurations of Product Part No.", are under consideration for development, please contact us for availability details.

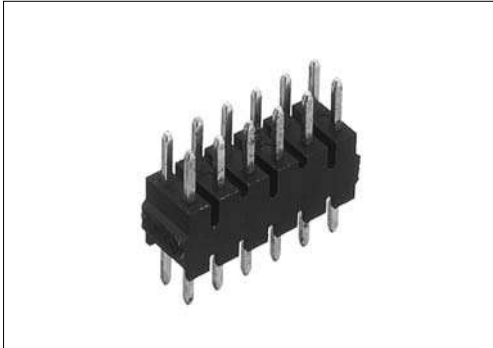
Part No.	C	D
LPC-()MC2()	3.6	2.6
LPC-()TMC2()	3.8	3.8

Mating connectors: LPC series female connectors or shunt plugs

Straight through hole type male connector for PCB LPC-()MD2()

2 mm pitch connector
For PCB
Straight Through hole

RoHS

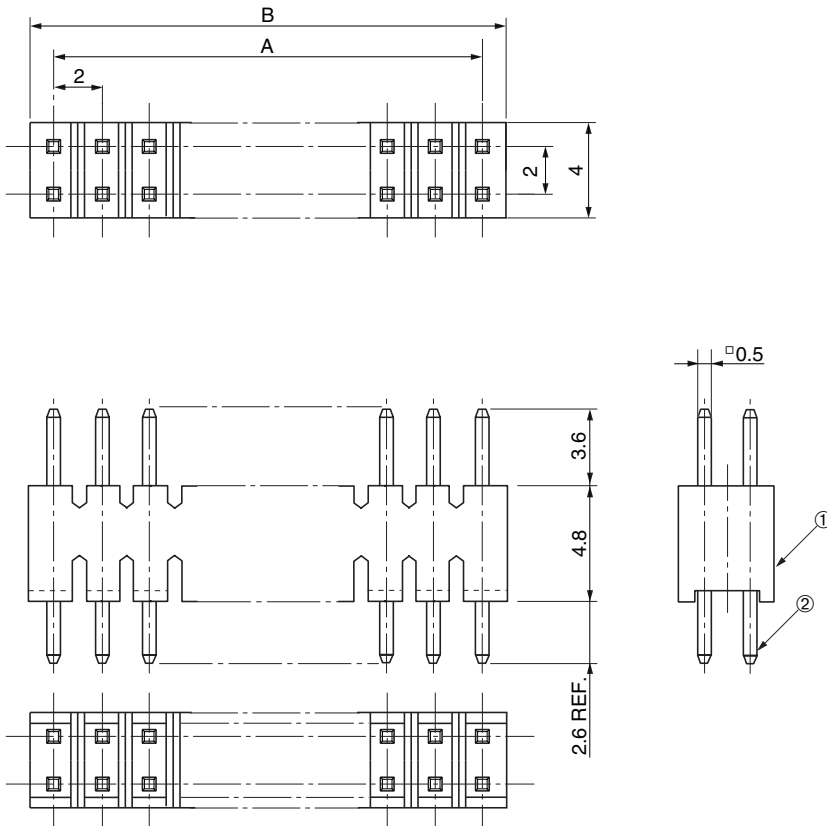


● Configuration of product Part No.

LPC- () MD2 ()

① ② ③

- ① Series name
- ② No. of contacts: 2–60
- ③ Contact plating
+S: Tin plate
G : Gold plate



● Dimensions

Part No.	A	B
LPC-2MD2()	–	2
LPC-4MD2()	2	4
LPC-6MD2()	4	6
LPC-8MD2()	6	8
LPC-10MD2()	8	10
LPC-12MD2()	10	12
LPC-14MD2()	12	14
LPC-16MD2()	14	16
LPC-18MD2()	16	18
LPC-20MD2()	18	20
LPC-22MD2()	20	22
LPC-24MD2()	22	24
LPC-26MD2()	24	26
LPC-28MD2()	26	28
LPC-30MD2()	28	30
LPC-32MD2()	30	32
LPC-34MD2()	32	34
LPC-36MD2()	34	36
LPC-38MD2()	36	38
LPC-40MD2()	38	40
LPC-42MD2()	40	42
LPC-44MD2()	42	44
LPC-46MD2()	44	46
LPC-48MD2()	46	48
LPC-50MD2()	48	50
LPC-52MD2()	50	52
LPC-54MD2()	52	54
LPC-56MD2()	54	56
LPC-58MD2()	56	58
LPC-60MD2()	58	60

● Components

①	Insulator
②	Contacts

Because some combinations of "Configurations of Product Part No.", are under consideration for development, please contact us for availability details.

Mating connectors: LPC series female connectors or shunt plugs

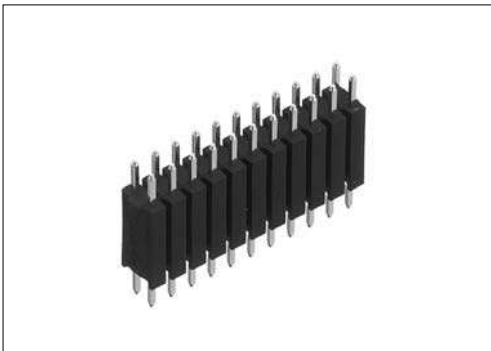
Straight through hole type male connector for PCB LPC-()MH2()

2 mm pitch connector

For PCB

Straight Through hole

RoHS

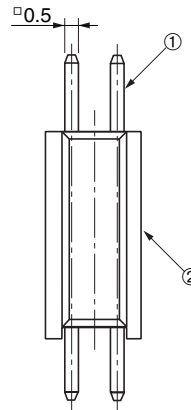
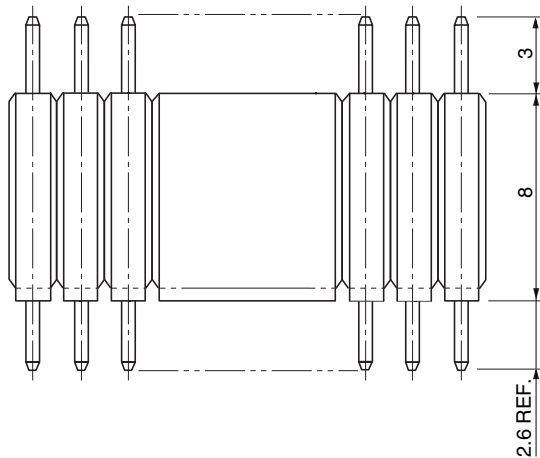
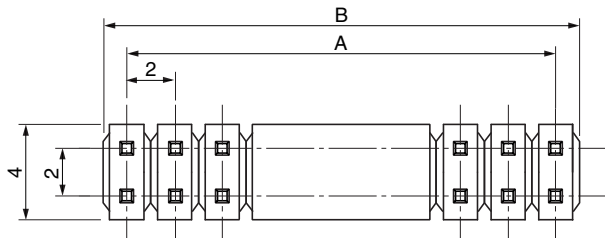


● Configuration of product Part No.

LPC- () MH2 ()

① ② ③

- ① Series name
- ② No. of contacts: 2-50
- ③ Contact plating
+S: Tin plate
G : Gold plate



● Dimensions

Part No.	A	B
LPC-2MH2()	-	2
LPC-4MH2()	2	4
LPC-6MH2()	4	6
LPC-8MH2()	6	8
LPC-10MH2()	8	10
LPC-12MH2()	10	12
LPC-14MH2()	12	14
LPC-16MH2()	14	16
LPC-18MH2()	16	18
LPC-20MH2()	18	20
LPC-24MH2()	22	24
LPC-26MH2()	24	26
LPC-28MH2()	26	28
LPC-30MH2()	28	30
LPC-32MH2()	30	32
LPC-34MH2()	32	34
LPC-36MH2()	34	36
LPC-38MH2()	36	38
LPC-40MH2()	38	40
LPC-42MH2()	40	42
LPC-44MH2()	42	44
LPC-46MH2()	44	46
LPC-48MH2()	46	48
LPC-50MH2()	48	50

● Components

① Insulator
② Contacts

Because some combinations of "Configurations of Product Part No.", are under consideration for development, please contact us for availability details.

Mating connectors: LPC series female connectors or shunt plugs

Right-angle through hole type male connector for PCB LPC-() (T) ML ()

2 mm pitch connector

For PCB

Right-angle Through hole

RoHS

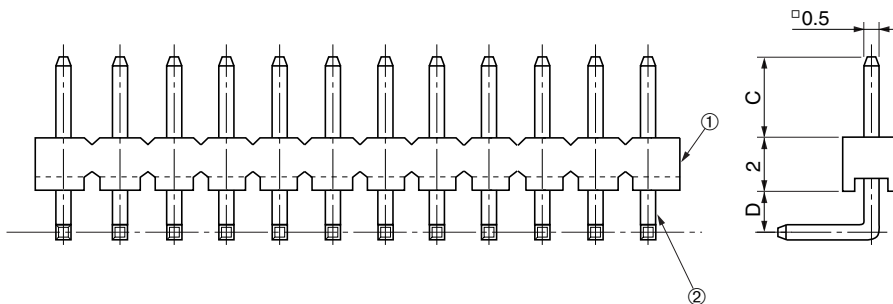
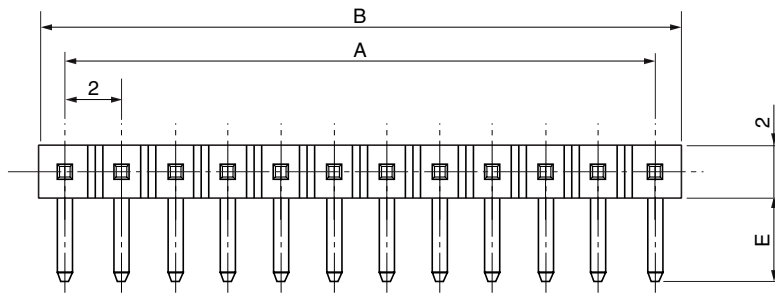


● Configuration of product Part No.

LPC- () (T) ML ()

① ② ③ ④

- ① Series name
- ② No. of contacts: 1-30
- ③ Length No. of contact:
Refer to the table of dimensions below.
- ④ Contact plating
+S: Tin plate
G : Gold plate



● Dimensions

Part No.	A	B
LPC-1(T)ML()	-	2
LPC-2(T)ML()	2	4
LPC-3(T)ML()	4	6
LPC-4(T)ML()	6	8
LPC-5(T)ML()	8	10
LPC-6(T)ML()	10	12
LPC-7(T)ML()	12	14
LPC-8(T)ML()	14	16
LPC-9(T)ML()	16	18
LPC-10(T)ML()	18	20
LPC-11(T)ML()	20	22
LPC-12(T)ML()	22	24
LPC-13(T)ML()	24	26
LPC-14(T)ML()	26	28
LPC-15(T)ML()	28	30
LPC-16(T)ML()	30	32
LPC-17(T)ML()	32	34
LPC-18(T)ML()	34	36
LPC-19(T)ML()	36	38
LPC-20(T)ML()	38	40
LPC-21(T)ML()	40	42
LPC-22(T)ML()	42	44
LPC-23(T)ML()	44	46
LPC-24(T)ML()	46	48
LPC-25(T)ML()	48	50
LPC-26(T)ML()	50	52
LPC-27(T)ML()	52	54
LPC-28(T)ML()	54	56
LPC-29(T)ML()	56	58
LPC-30(T)ML()	58	60

Part No.	C	D	E
LPC-()ML()	3	1	3
LPC-()T4ML()			2.4
LPC-()T5ML()	6.5	1.8	2.7
LPC-()T6ML()	3.5	1.5	3
LPC-()T8ML()	3	1	2
LPC-()T9ML()	1.9		3
LPC-()T12ML()	3		0.9
LPC-()T14ML()	0.4		3

● Components

①	Insulator
②	Contacts

Because some combinations of "Configurations of Product Part No.", are under consideration for development, please contact us for availability details.

Mating connectors: LPC series female connectors or shunt plugs

Right-angle through hole type male connector for PCB LPC-() (T) M2L()

2 mm pitch connector

For PCB

Right-angle Through hole

RoHS

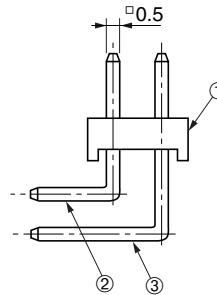
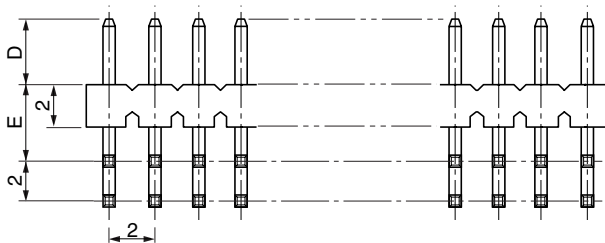
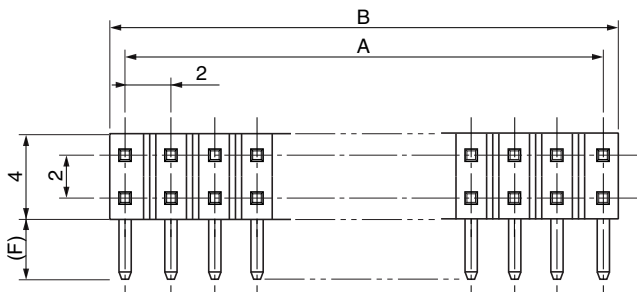


● Configuration of product Part No.

LPC- () (T) M2L ()

① ② ③ ④

- ① Series name
- ② No. of contacts: 2-50
- ③ Length No. of contact:
Refer to the table of dimensions below.
- ④ Contact plating
+S: Tin plate
G : Gold plate



● Dimensions

Part No.	A	B
LPC-2(T)M2L()	-	2
LPC-4(T)M2L()	2	4
LPC-6(T)M2L()	4	6
LPC-8(T)M2L()	6	8
LPC-10(T)M2L()	8	10
LPC-12(T)M2L()	10	12
LPC-14(T)M2L()	12	14
LPC-16(T)M2L()	14	16
LPC-18(T)M2L()	16	18
LPC-20(T)M2L()	18	20
LPC-22(T)M2L()	20	22
LPC-24(T)M2L()	22	24
LPC-26(T)M2L()	24	26
LPC-28(T)M2L()	26	28
LPC-30(T)M2L()	28	30
LPC-32(T)M2L()	30	32
LPC-34(T)M2L()	32	34
LPC-36(T)M2L()	34	36
LPC-38(T)M2L()	36	38
LPC-40(T)M2L()	38	40
LPC-42(T)M2L()	40	42
LPC-44(T)M2L()	42	44
LPC-46(T)M2L()	44	46
LPC-48(T)M2L()	46	48
LPC-50(T)M2L()	48	50

● Components

①	Insulator
②	Short contacts
③	Long contacts

Because some combinations of "Configurations of Product Part No.", are under consideration for development, please contact us for availability details.

Part No.	D	E	F
LPC-()M2L	3		3
LPC-()T3M2L	4.4	3	2
LPC-()T4M2L	3		2.4
LPC-()T6M2L	3.5	3.5	3
LPC-()T10M2L	3	2.25	2.6
LPC-()T15M2L	3.5	2.4	1.8
LPC-()T16M2L	2	3	2.5

Mating connectors: LPC series female connectors or shunt plugs

Straight through hole type male connector for PCB
LPC-()PM2()

2 mm pitch connector
For PCB
Straight Through hole
With a simple lock

RoHS

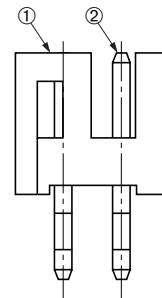
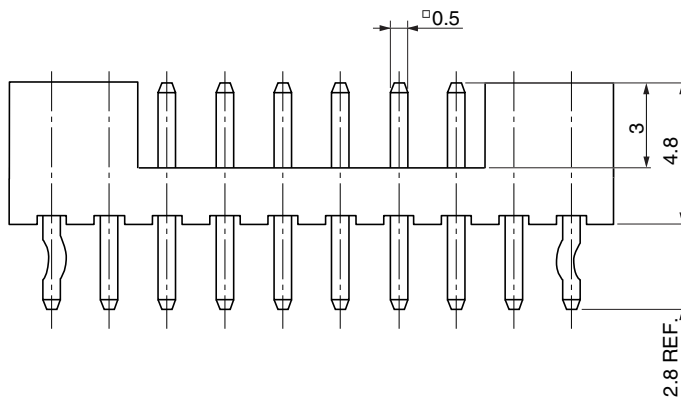
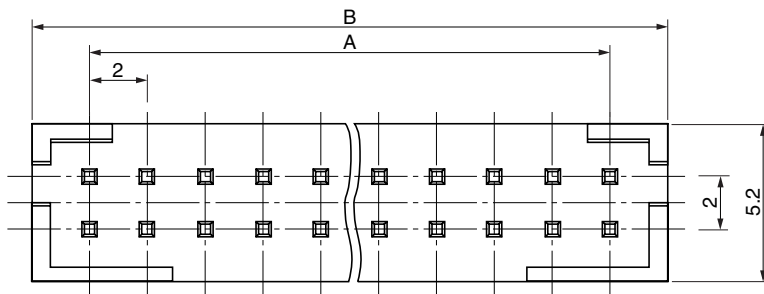


● Configuration of product Part No.

LPC- () PM2 ()

① ② ③

- ① Series name
- ② No. of contacts: 4, 18, 20, or 26
- ③ Contact plating
 +S: Tin plate
 G : Gold plate



● Components

①	Insulator
②	Contacts

Because some combinations of "Configurations of Product Part No.", are under consideration for development, please contact us for availability details.

● Dimensions

Part No.	A	B
LPC-4PM2()	2	5.2
LPC-18PM2()	16	19.2
LPC-20PM2()	18	21.2
LPC-26PM2()	24	27.2

Mating connectors: LPC-()PF02

Right-angle through hole type male connector for PCB LPC-()PM2L()

2 mm pitch connector

For PCB

Right-angle Through hole

With a simple lock

RoHS

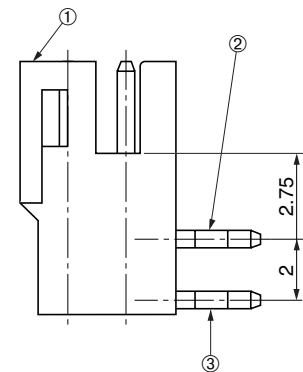
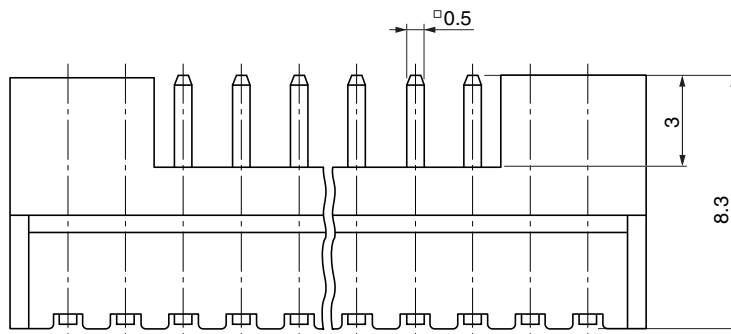
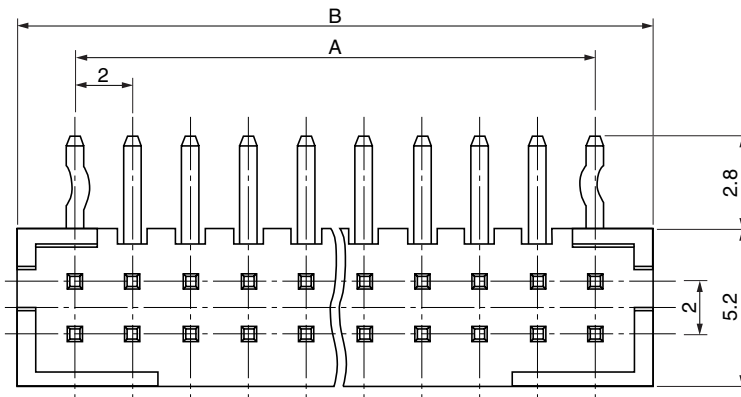


● Configuration of product Part No.

LPC- () PM2L ()

① ② ③

- ① Series name
- ② No. of contacts: 20 or 26
- ③ Contact plating
+S: Tin plate
G : Gold plate



● Components

①	Insulator
②	Contact B
③	Contact A

Because some combinations of "Configurations of Product Part No.", are under consideration for development, please contact us for availability details.

● Dimensions

Part No.	A	B
LPC-20PM2L()	18	21.2
LPC-26PM2L()	24	27.2

Mating connectors: LPC-()PF02

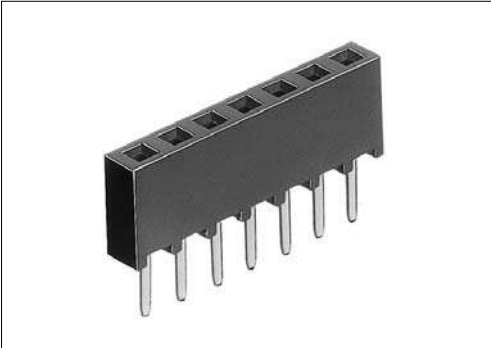
Straight through hole type female connector for PCB
LPC-()FDS()

2 mm pitch connector

For PCB

Straight Through hole

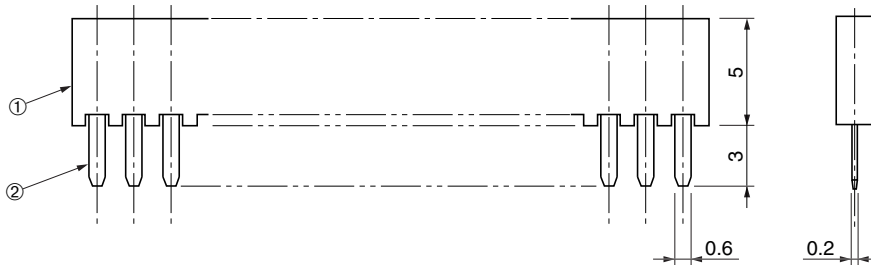
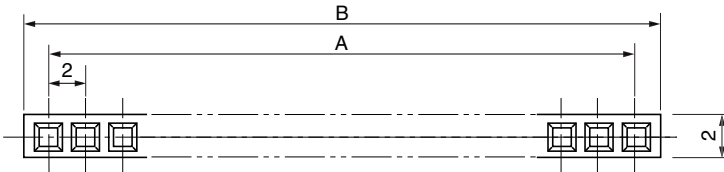
RoHS



● Configuration of product Part No.

LPC- () FDS ()

- ① ② ③
- ① Series name
 - ② No. of contacts: 2-25
 - ③ Contact plating
 +C : Tin copper plate
 +G : Gold plate



● Dimensions

Part No.	A	B
LPC-2FDS()	2	4.6
LPC-3FDS()	4	6.6
LPC-4FDS()	6	8.6
LPC-5FDS()	8	10.6
LPC-6FDS()	10	12.6
LPC-7FDS()	12	14.6
LPC-8FDS()	14	16.6
LPC-9FDS()	16	18.6
LPC-10FDS()	18	20.6
LPC-11FDS()	20	22.6
LPC-12FDS()	22	24.6
LPC-13FDS()	24	26.6
LPC-14FDS()	26	28.6
LPC-15FDS()	28	30.6
LPC-16FDS()	30	32.6
LPC-17FDS()	32	34.6
LPC-18FDS()	34	36.6
LPC-19FDS()	36	38.6
LPC-20FDS()	38	40.6
LPC-21FDS()	40	42.6
LPC-22FDS()	42	44.6
LPC-23FDS()	44	46.6
LPC-24FDS()	46	48.6
LPC-25FDS()	48	50.6

● Components

①	Insulator
②	Contacts

Because some combinations of "Configurations of Product Part No.", are under consideration for development, please contact us for availability details.

Mating connectors: LPC series male connectors

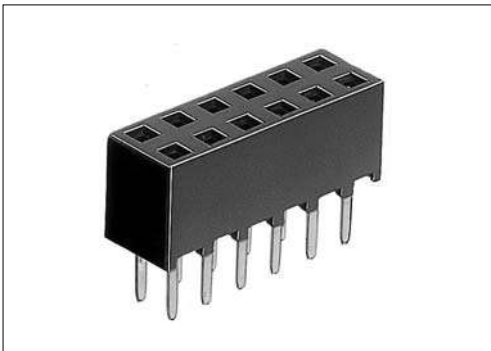
Accessories: Polarization key: LPC-PK1

Straight through hole type female connector for PCB
LPC-()FD()

For PCB

Straight Through hole

RoHS

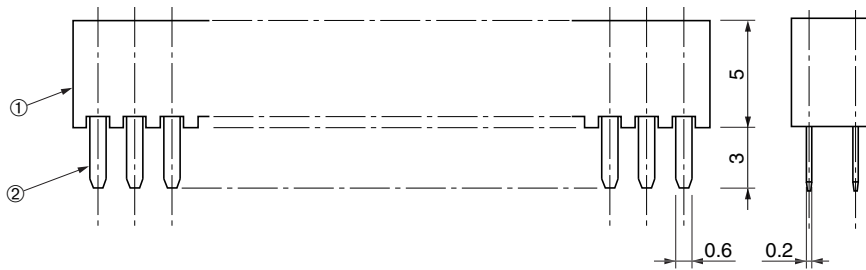
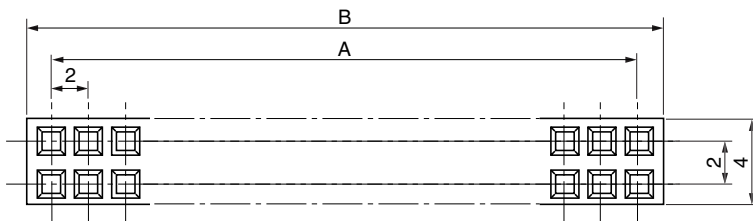


● Configuration of product Part No.

LPC- () FD ()

① ② ③

- ① Series name
- ② No. of contacts: 4-50
- ③ Contact plating
+C : Tin copper plate
G+ : Gold plate



● Dimensions

Part No.	A	B
LPC-4FD()	2	4.6
LPC-6FD()	4	6.6
LPC-8FD()	6	8.6
LPC-10FD()	8	10.6
LPC-12FD()	10	12.6
LPC-14FD()	12	14.6
LPC-16FD()	14	16.6
LPC-18FD()	16	18.6
LPC-20FD()	18	20.6
LPC-22FD()	20	22.6
LPC-24FD()	22	24.6
LPC-26FD()	24	26.6
LPC-28FD()	26	28.6
LPC-30FD()	28	30.6
LPC-32FD()	30	32.6
LPC-34FD()	32	34.6
LPC-36FD()	34	36.6
LPC-38FD()	36	38.6
LPC-40FD()	38	40.6
LPC-42FD()	40	42.6
LPC-44FD()	42	44.6
LPC-46FD()	44	46.6
LPC-48FD()	46	48.6
LPC-50FD()	48	50.6

● Components

①	Insulator
②	Contacts

Because some combinations of "Configurations of Product Part No.", are under consideration for development, please contact us for availability details.

Mating connectors: LPC series male connectors

Accessories: Polarization key: LPC-PK1

Shunt plug
LPC-SP()

For Shunt

RoHS

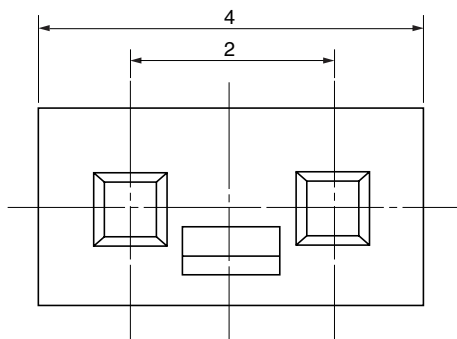
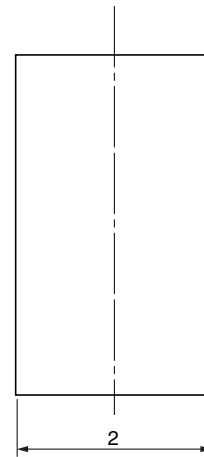
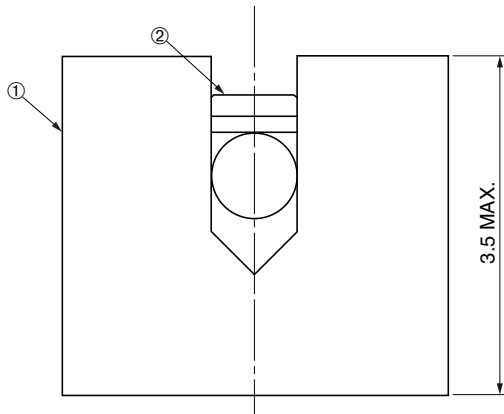


● Configuration of product Part No.

LPC- SP ()

① ②

- ① Series name
- ② Contact plating
+C : Tin copper plate
G : Gold plate



● Components

①	Insulator
②	Contacts

● Insulator color

Part No.	Color
LPC-SP+C	Black
LPC-SPG	Milk white

Mating connectors: LPC series male connectors

Shunt plug
LPC-6SP()

For Shunt

RoHS

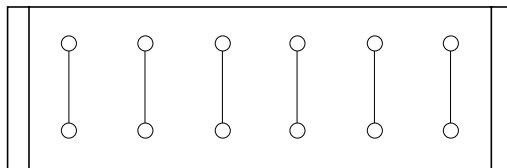
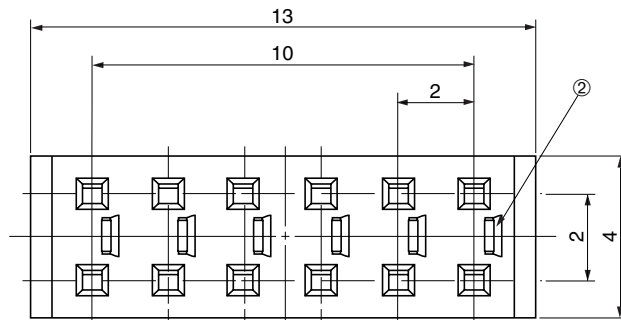
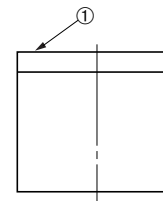
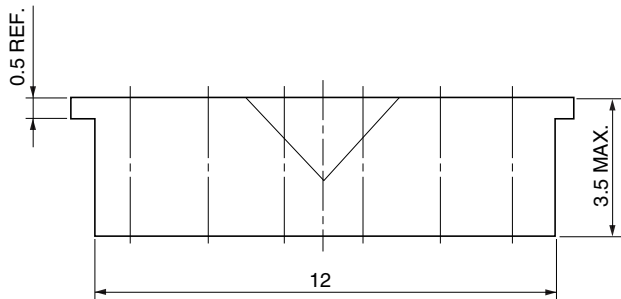


● Configuration of product Part No.

LPC- 6 SP ()

① ② ③

- ① Series name
- ② No. of contacts: Hexa-plug
- ③ Contact plating
+C : Tin copper plate
G : Gold plate



Shunt Diagram

● Components

①	Insulator
②	Contacts

● Insulator color

Part No.	Color
LPC-6SP+C	Black
LPC-6SPG	Milk white

Mating connectors: LPC series male connectors

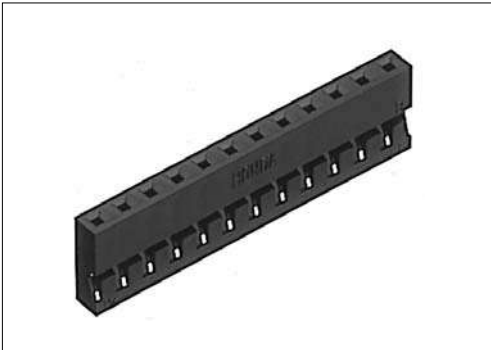
Cable crimping type female insulator
LPC-()FS01

2 mm pitch connector

For cable

Crimping

RoHS



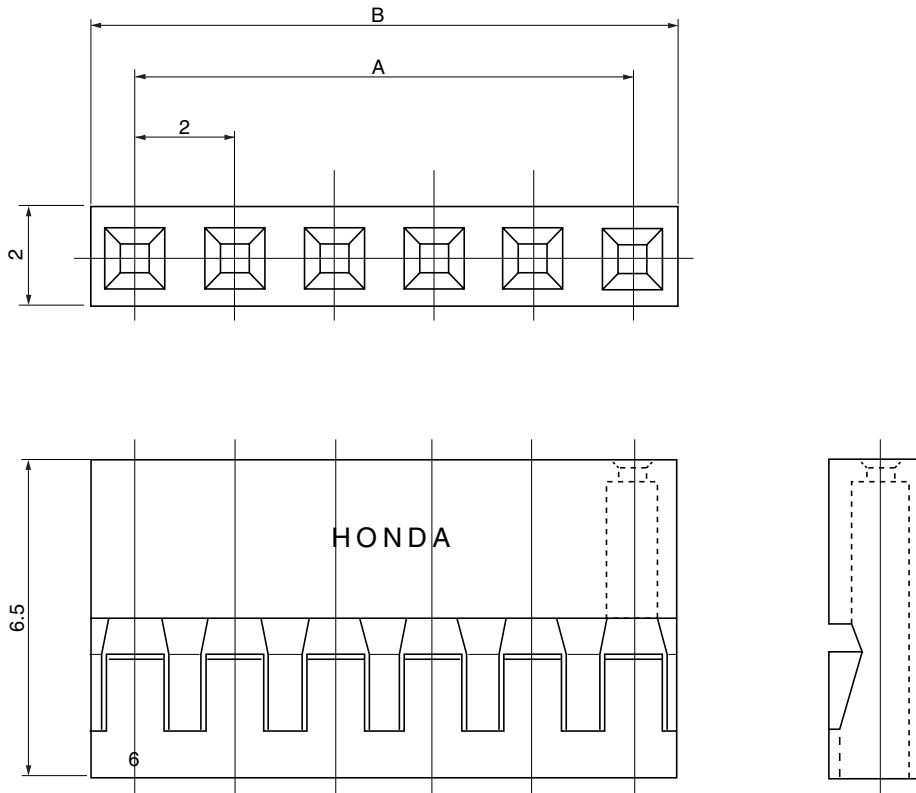
● Configuration of product Part No.

LPC- ()FS01

① ②

① Series name

② No. of contacts: 2, 3, 4, 6, 10, 12 or 20



● Dimensions

Part No.	A	B	Part No.	A	B
LPC-2FS01	2	4	LPC-10FS01	18	20
LPC-3FS01	4	6	LPC-12FS01	22	24
LPC-4FS01	6	8	LPC-20FS01	38	40
LPC-6FS01	10	12			

Because some combinations of "Configurations of Product Part No.", are under consideration for development, please contact us for availability details.

For use with contacts: LPC series cable crimping type female contacts

Accessories: Polarization keys: LPC-PK

Mating connectors: LPC series of male connectors

Cable crimping type female insulator LPC-()F02

2 mm pitch connector

For cable

Crimping

RoHS



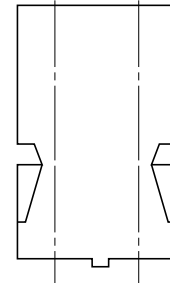
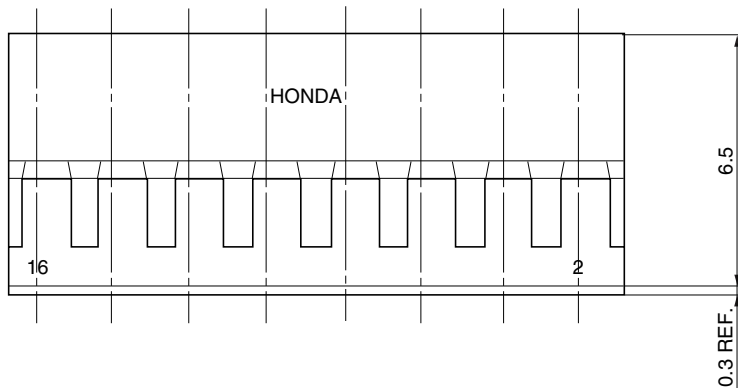
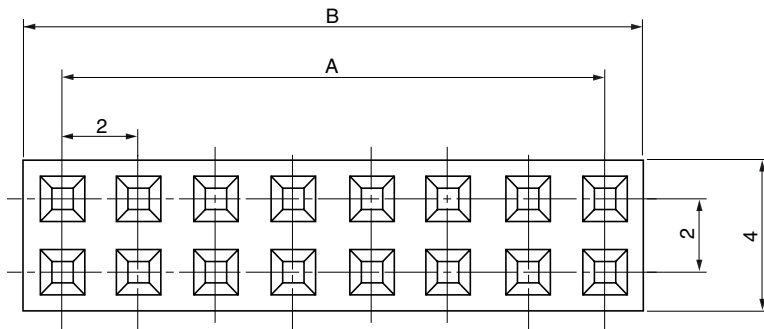
● Configuration of product Part No.

LPC- ()F02

① ②

① Series name

② No. of contacts: 6-20, 24, 26, 28, 30, 34, 36 or 44



● Dimensions

Part No.	A	B	Part No.	A	B	Part No.	A	B
LPC-6F02	4	6	LPC-16F02	14	16	LPC-28F02	26	28
LPC-8F02	6	8	LPC-18F02	16	18	LPC-30F02	28	30
LPC-10F02	8	10	LPC-20F02	18	20	LPC-34F02	32	34
LPC-12F02	10	12	LPC-24F02	22	24	LPC-36F02	34	36
LPC-14F02	12	14	LPC-26F02	24	26	LPC-44F02	42	44

Mating connectors: LPC series cable crimping type female contacts

Accessories: Polarization keys: LPC-PK

Mating connectors: LPC series of male connectors

Cable crimping type female insulator LPC-()PF02

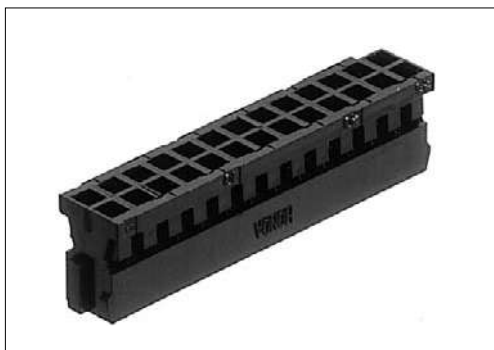
2 mm pitch connector

For cable

Crimping

With a simple lock

RoHS



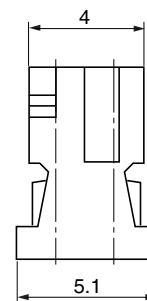
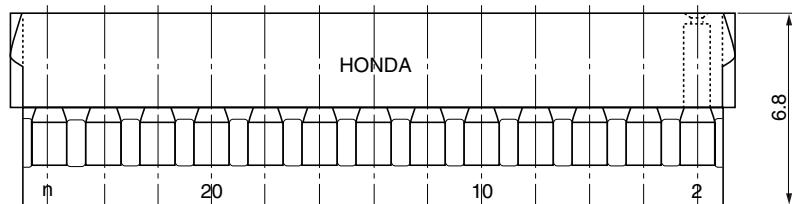
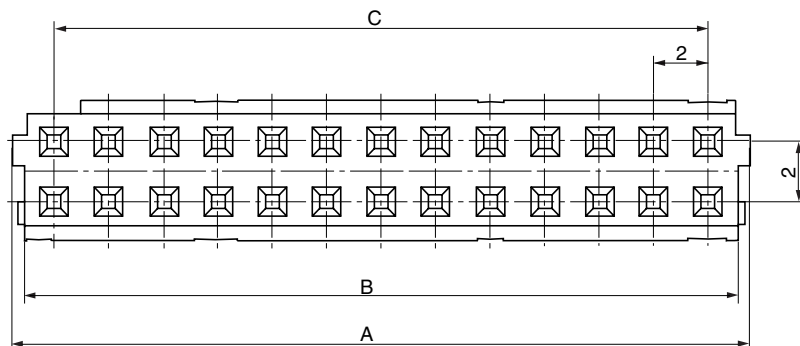
● Configuration of product Part No.

LPC- ()PF02

① ②

① Series name

② No. of contacts: 4, 10, 18, 20 or 26



● Dimensions

Part No.	A	B	C
LPC-4PF02	5.2	4	2
LPC-10PF02	11.2	10	8
LPC-18PF02	19.2	18	16
LPC-20PF02	21.2	20	18
LPC-26PF02	27.2	26	24

For use with contacts: LPC series cable crimping type female contacts

Mating connectors: LPC-()PM2(), LPC-()PM2L()

Housing
LPC-26L

For cable

RoHS

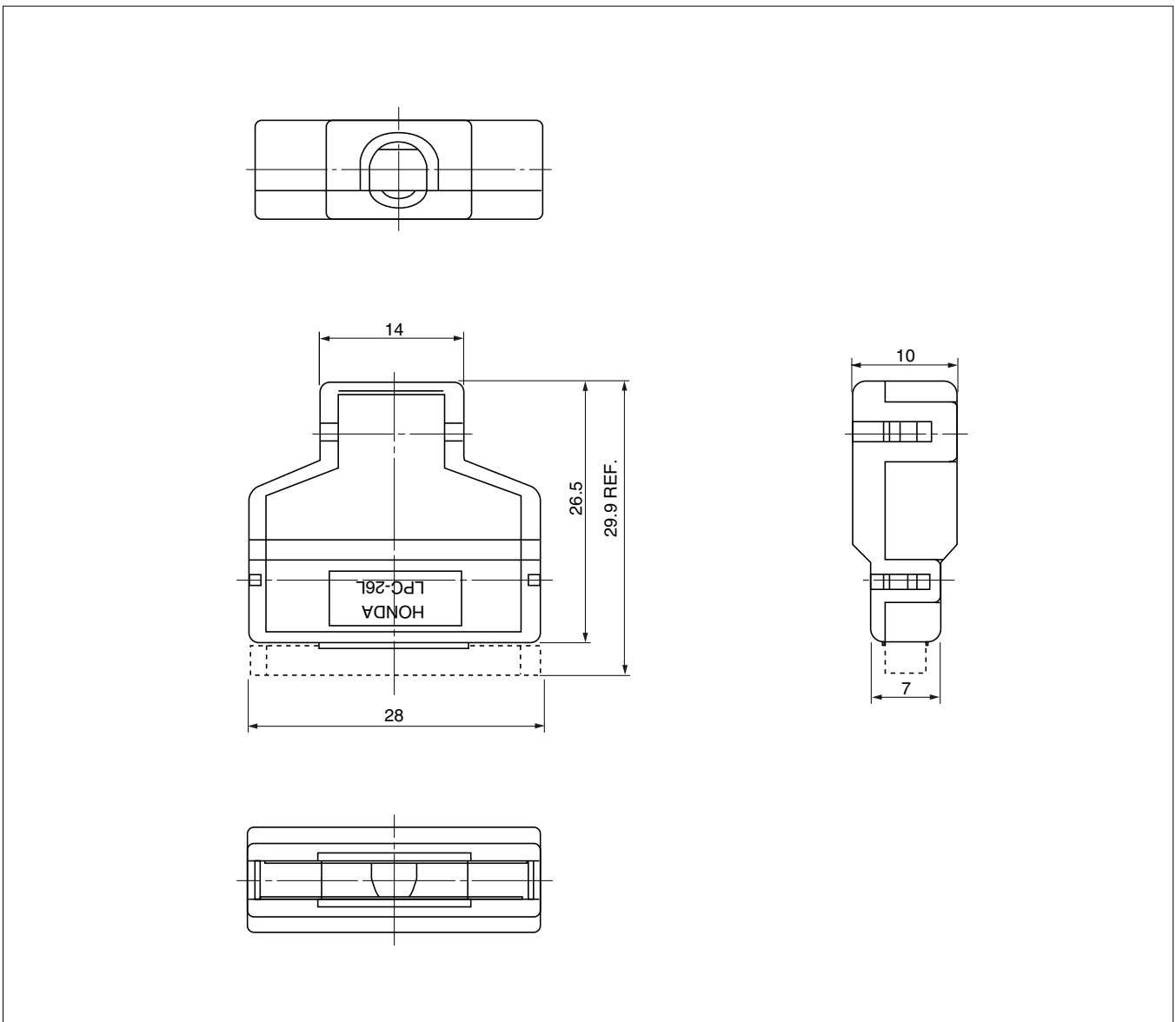


● Configuration of product Part No.

LPC- 26L

① ②

- ① Series name
- ② No. of contacts: 26



For use with connector: LPC-26PF02

For use with outside diameter of cable: 5.5 mm

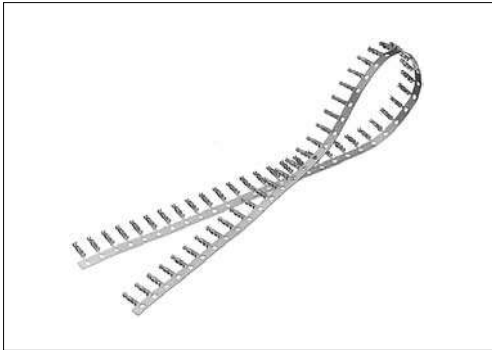
Cable crimping type female contact (For hand tool)

For cable

LPC-F11() () - ()

Crimping

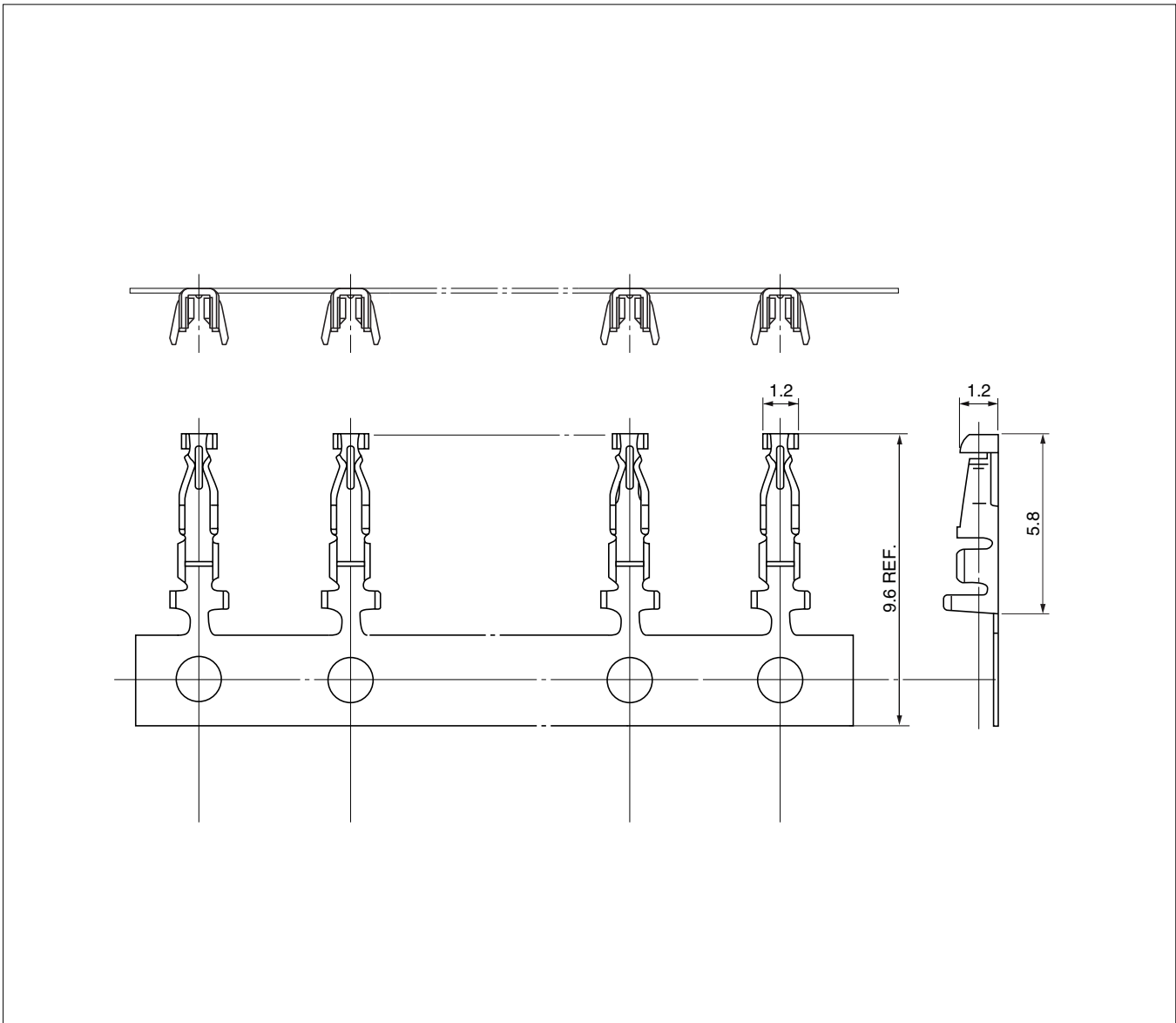
RoHS



● Configuration of product Part No.

LPC- F11 () () - ()

- | | | | |
|----------------------|-------------------|---|---|
| ① | ② | ③ | ④ |
| ① Series name | ④ No. of contacts | | |
| ② Contact plating | 50 : 50 | | |
| 3 : Gold plate | 500R: 500 | | |
| 4 : Tin plate | | | |
| ③ For use with cable | | | |
| S : AWG#32 | | | |
| N : AWG#28-#32 | | | |
| L : AWG#22-#26 | | | |



For use with insulators: LPC series cable crimping type female insulator

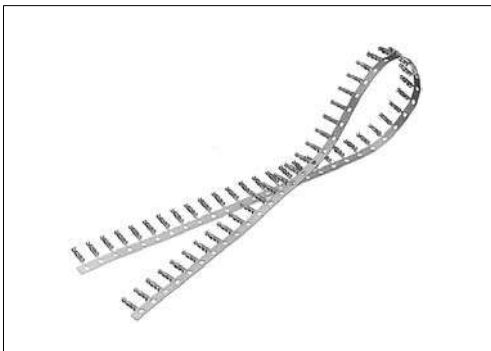
Tools: KP-339(S, N, L) (Refer to page Tool-6)

**Cable crimping type female contact
(For automatic machine)
LPC-F10() ()**

For cable

Crimping

RoHS

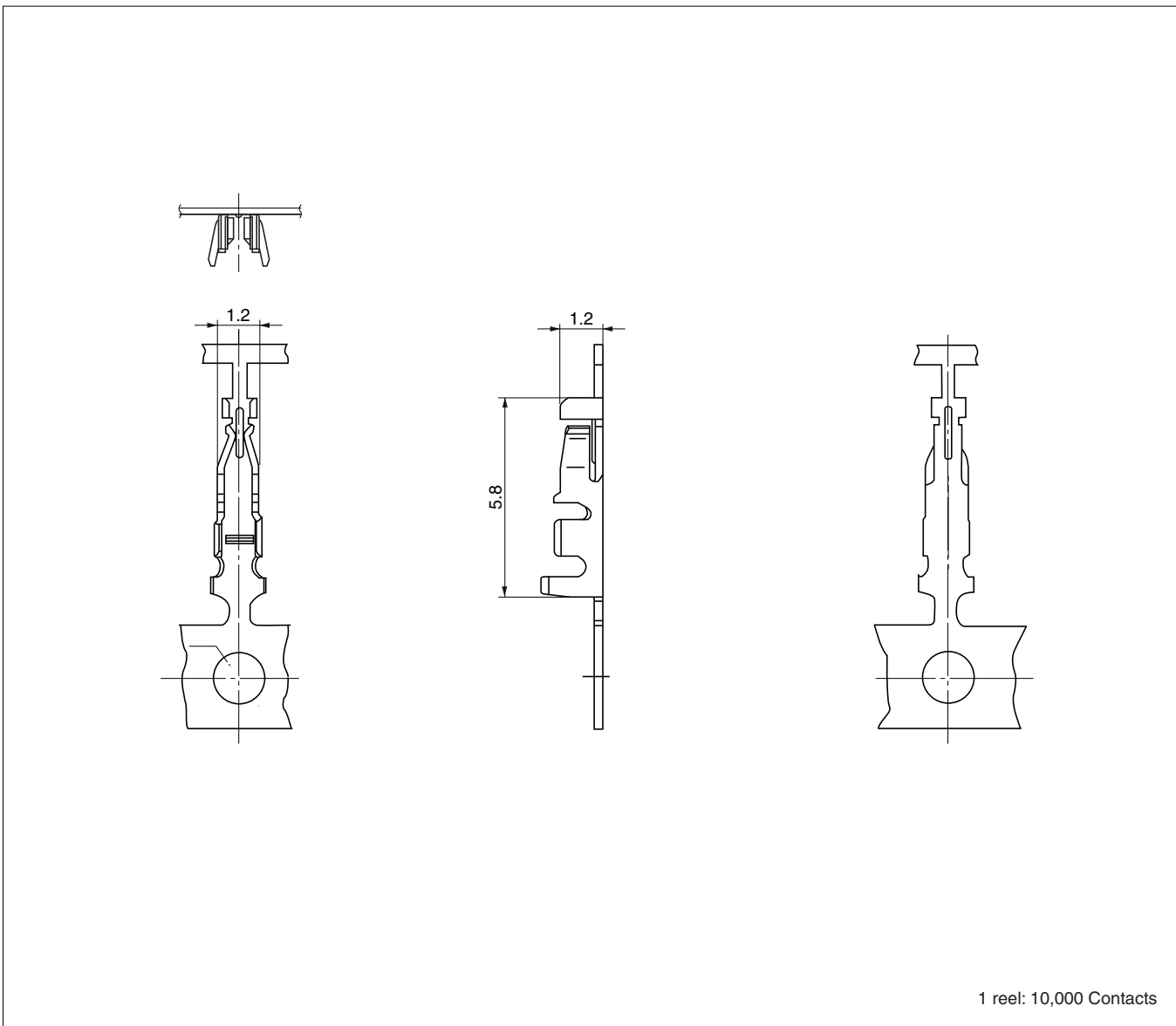


● Configuration of product Part No.

LPC- F10 () ()

① ② ③

- ① Series name
- ② Contact plating
3 : Gold plate
4 : Tin plate
- ③ For use with cable
S : AWG#32
N : AWG#28-#32
L : AWG#22-#26



1 reel: 10,000 Contacts

For use with insulators: LPC series cable crimping type female insulator

Tools: Please contact us for automatic-crimping.

Applicator: KP-225(S, N, L)

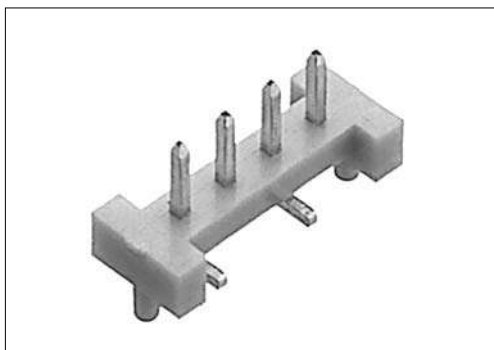
Straight SMT type male connector for PCB

LPC-A4M()

For PCB

Straight SMT

RoHS

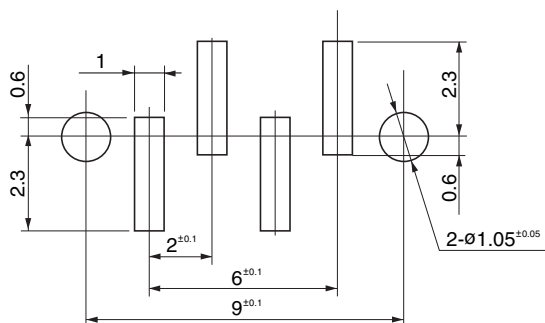
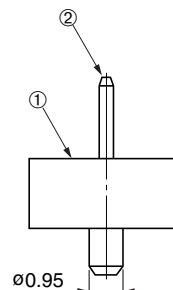
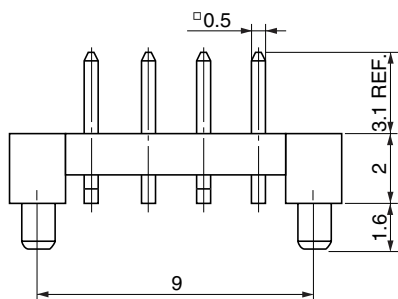
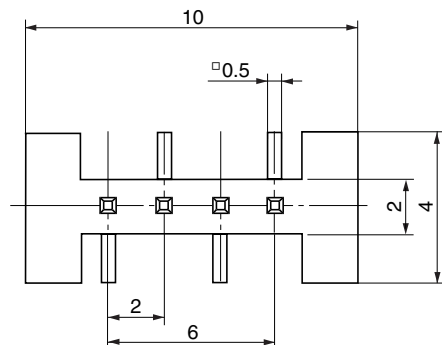


● Configuration of product Part No.

LPC-A4M ()

① ②

- ① Series name
- ② Contact plating
+S : Tin plate
G1 : Gold plate



● Components

①	Insulator
②	Contacts

Recommended PCB layout

Mating connectors: LPC-4FDSG+, LPC-SPG

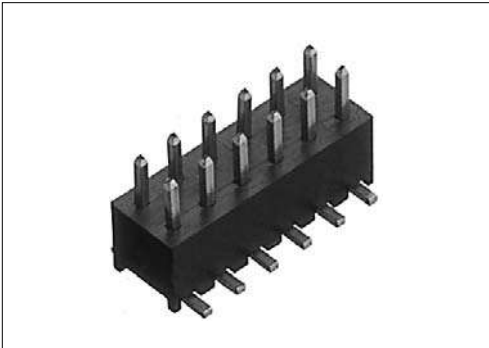
LPC-4FDS+C, LPC-SP+C

Straight SMT type male connector for PCB
LPC-()MY2CG+

For PCB

Straight SMT

RoHS

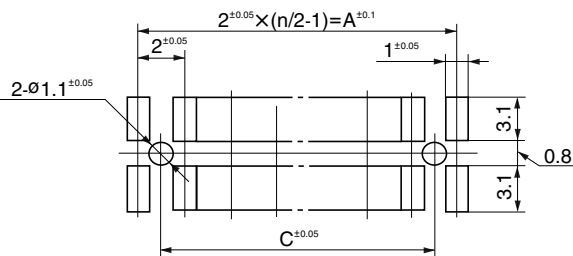
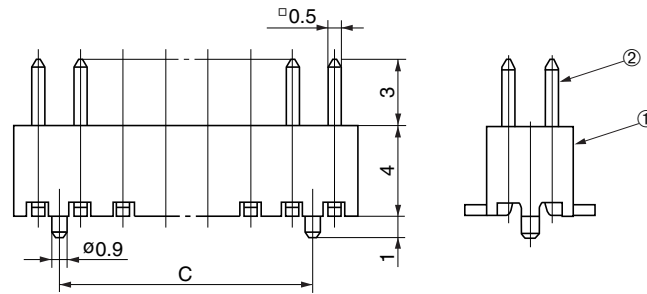
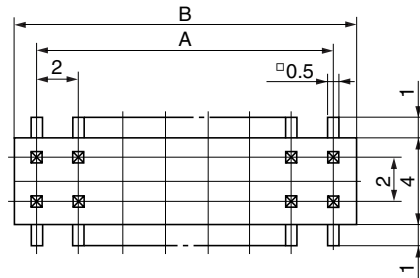


● Configuration of product Part No.

LPC- () MY2CG+

① ②

- ① Series name
- ② No. of contacts: 6-14 or 20
- *Gold plate



Recommended PCB layout

● Components

①	Insulator
②	Contacts

Because some combinations of "Configurations of Product Part No.", are under consideration for development, please contact us for availability details.

● Dimensions

Part No.	A	B	C	n
LPC-6MY2CG+	4	6	2	6
LPC-8MY2CG+	6	8	4	8
LPC-10MY2CG+	8	10	6	10
LPC-12MY2CG+	10	12	8	12
LPC-14MY2CG+	12	14	10	14
LPC-20MY2CG+	18	20	16	20

Mating connectors: LPC series female connectors or shunt plugs

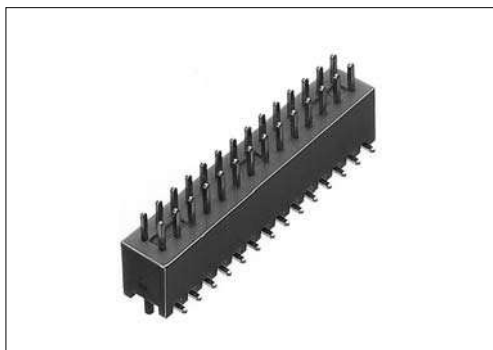
Straight SMT type male connector for PCB LPC-A()MB2()

2 mm pitch connector

For PCB

Straight SMT

RoHS

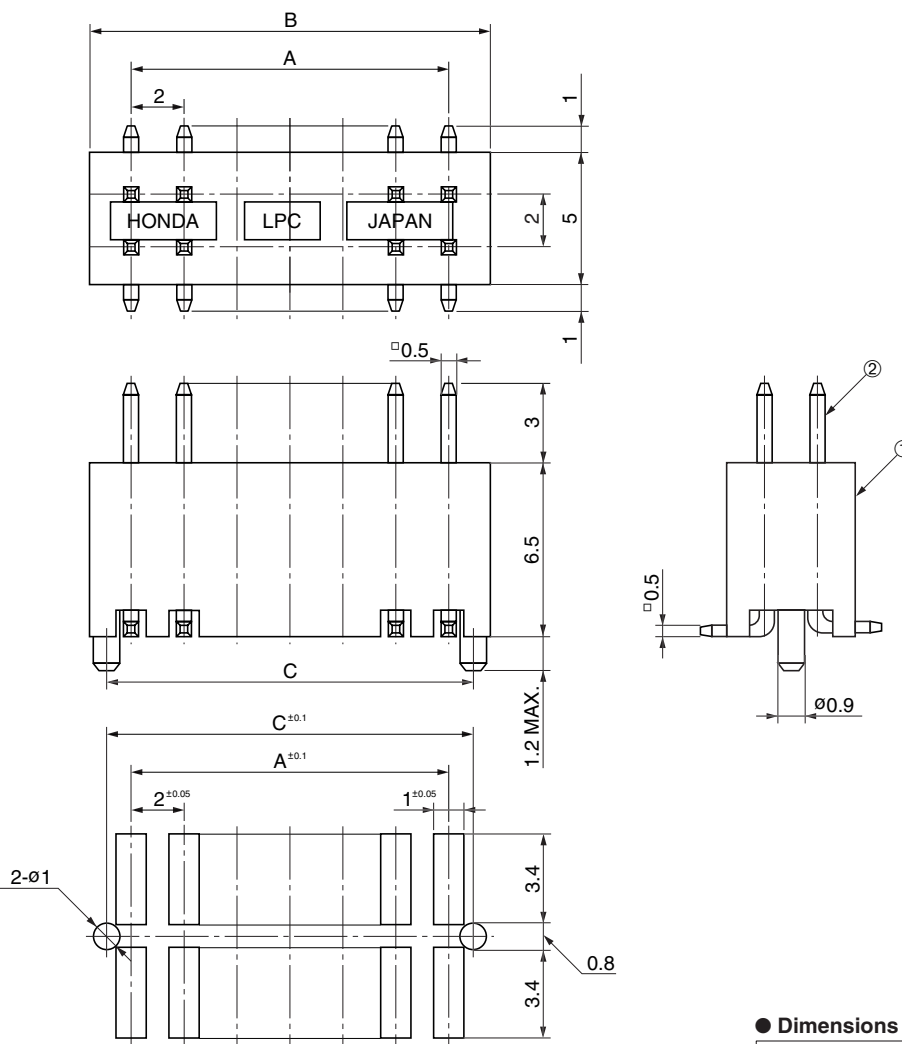


● Configuration of product Part No.

LPC- A () MB2 ()

① ② ③

- ① Series name
- ② No. of contacts: 14 or 28
- ③ Contact plating
 - +S: Tin plate
 - G : Gold plating



● Components

①	Insulator
②	Contacts

Recommended PCB layout

Note: A positioning boss is incorporated.

● Dimensions

Part No.	A	B	C
LPC-A14MB2()	12	15.2	14
LPC-A28MB2()	26	29.2	28

Mating connectors: LPC series female connectors

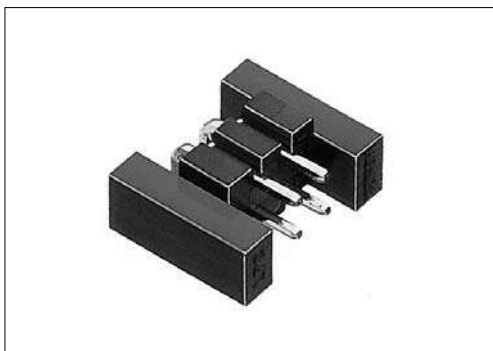
Right-angle SMT type male connector for PCB
LPC-A4T2M2LB+C

2 mm pitch connector

For PCB

Right-angle SMT

RoHS

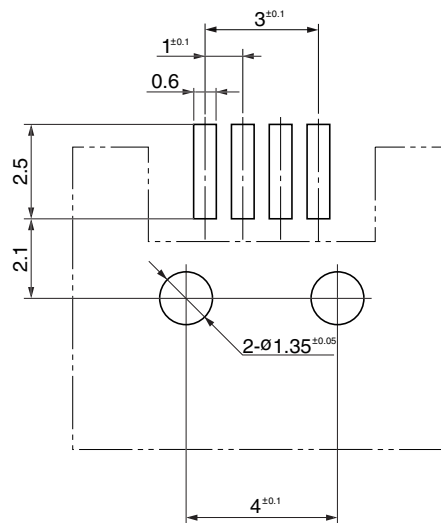
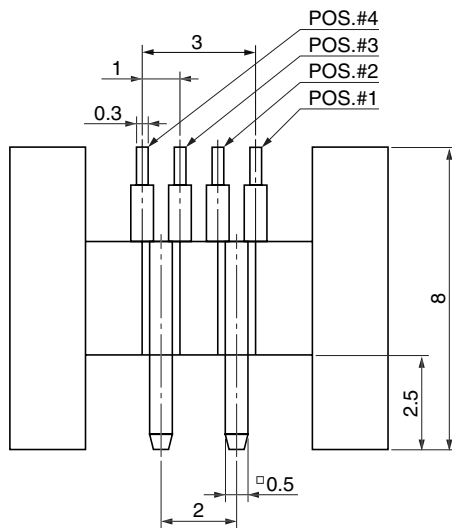


● Configuration of product Part No.

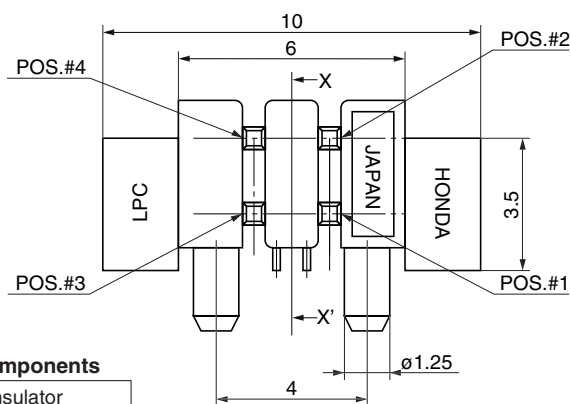
LPC- A4T2M2LB+C

①

① Series name
 *Tin copper plate



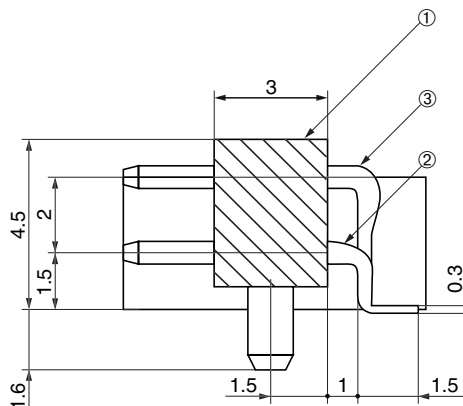
Recommended PCB layout



● Components

①	Insulator
②	Short contacts
③	Long contacts

Note: A locating boss is incorporated.



X-X' section

Mating connector: LPC-SP+C

Right-angle SMT type male connector for PCB
LPC-A26MB2L+C

2 mm pitch connector

For PCB

Right-angle SMT

RoHS

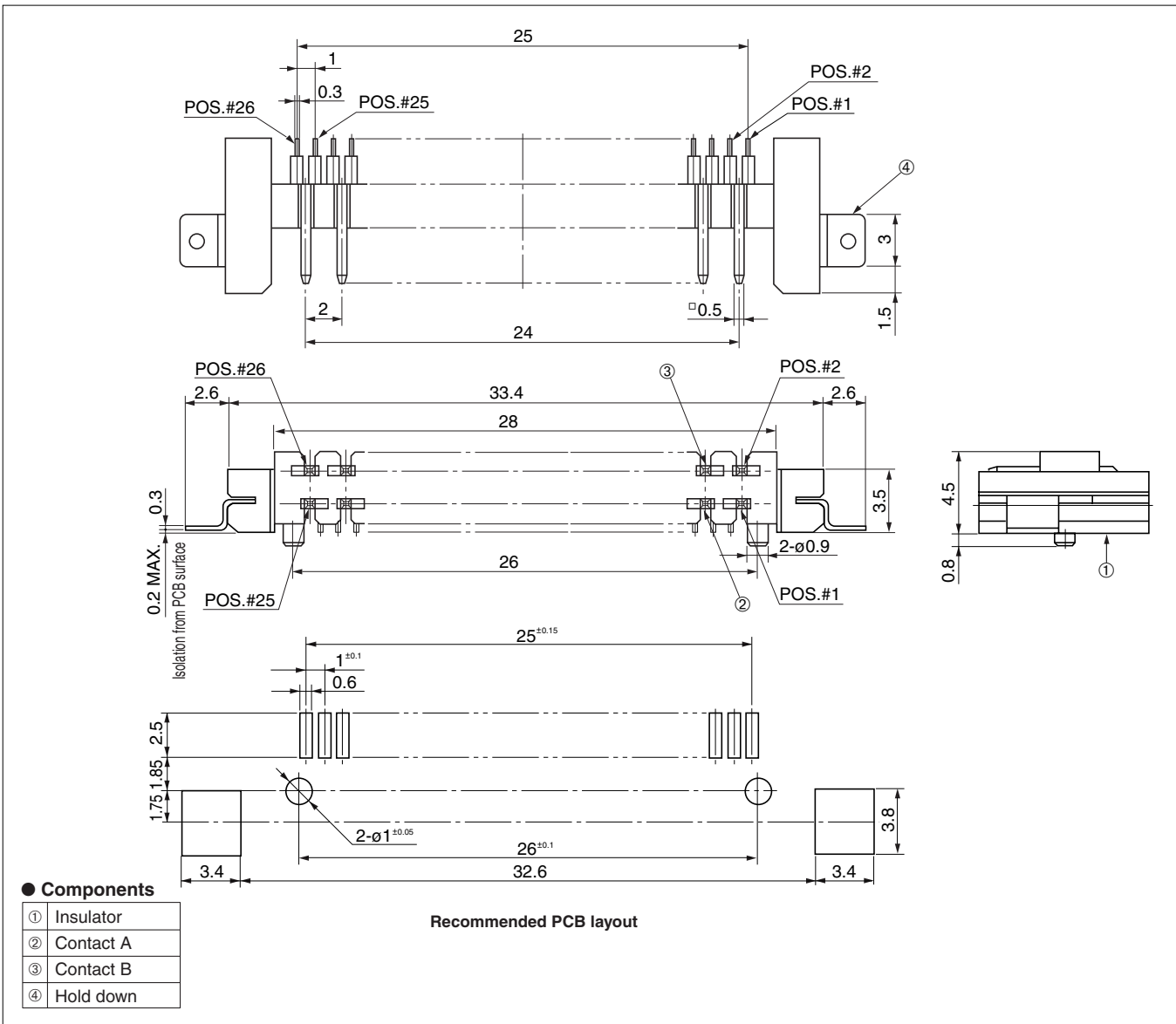


● Configuration of product Part No.

LPC- A26MB2L+C

①

- ① Series name
- *Tin copper plate



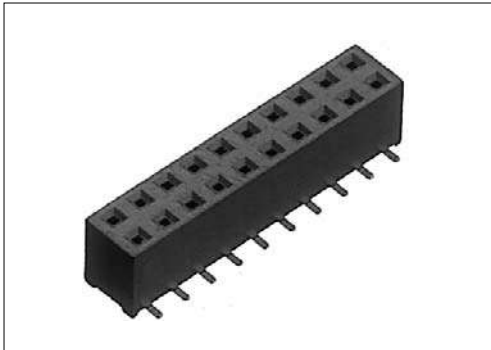
Mating connectors: LPC-26F02, LPC-SP+C

Straight SMT type female connector for PCB
LPC-()FY()

For PCB

Straight SMT

RoHS

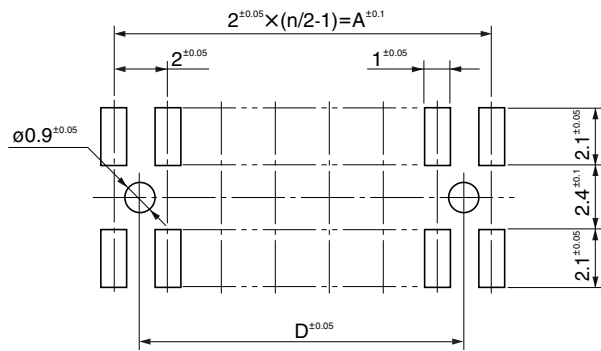
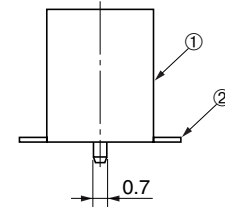
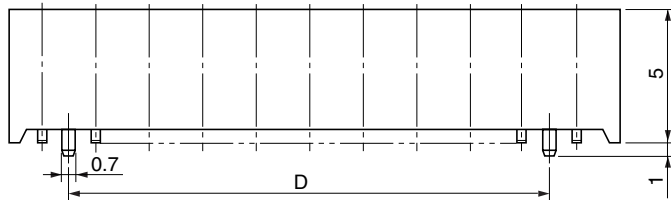
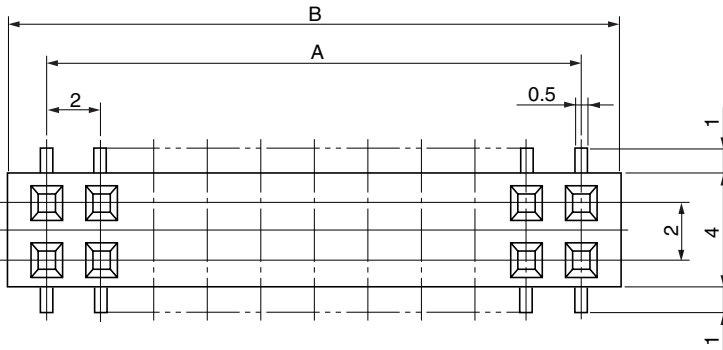


● Configuration of product Part No.

LPC- () FY()

① ② ③

- ① Series name
- ② No. of contacts: 6-22
- ③ Contact plating
 +C : Tin copper plate
 G+ : Gold plate



Recommended PCB layout

Note: A locating boss is incorporated.

● Components

①	Insulator
②	Contacts

Because some combinations of "Configurations of Product Part No.", are under consideration for development, please contact us for availability details.

● Dimensions

Part No.	A	B	D	n
LPC-6FY()	4	6.6	2	6
LPC-8FY()	6	8.6	4	8
LPC-10FY()	8	10.6	6	10
LPC-12FY()	10	12.6	8	12
LPC-14FY()	12	14.6	10	14
LPC-16FY()	14	16.6	12	16
LPC-18FY()	16	18.6	14	18
LPC-20FY()	18	20.6	16	20
LPC-22FY()	20	22.6	18	22

Mating connectors: LPC series male connectors

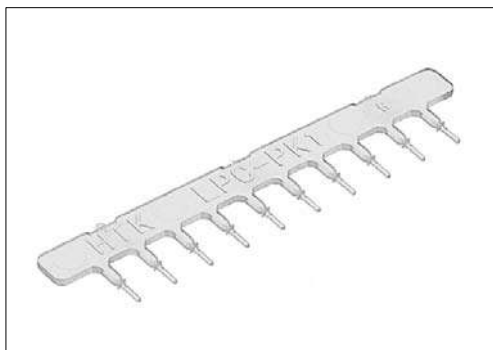
Polarization keys LPC-PK1

2 mm pitch connector

Accessories

For Through hole type

RoHS

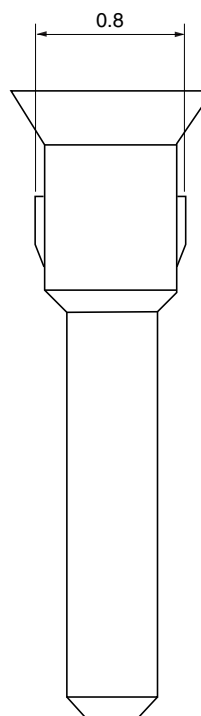
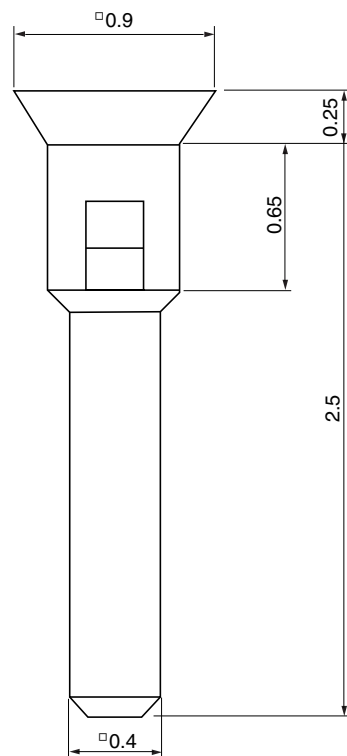


● Configuration of product Part No.

LPC- PK1-10

① ②

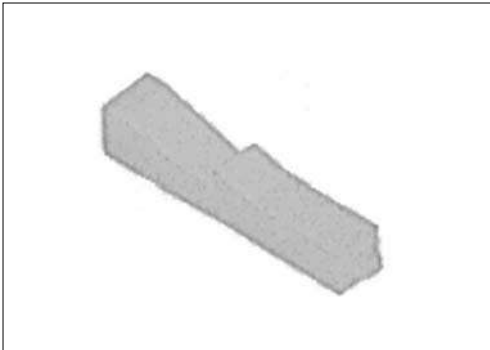
- ① Series name
- ② A set of 10 keys



Note: Please order in unit of 10 keys.

For use with connectors: LPC series through hole type female connectors

Polarization key
LPC-PK

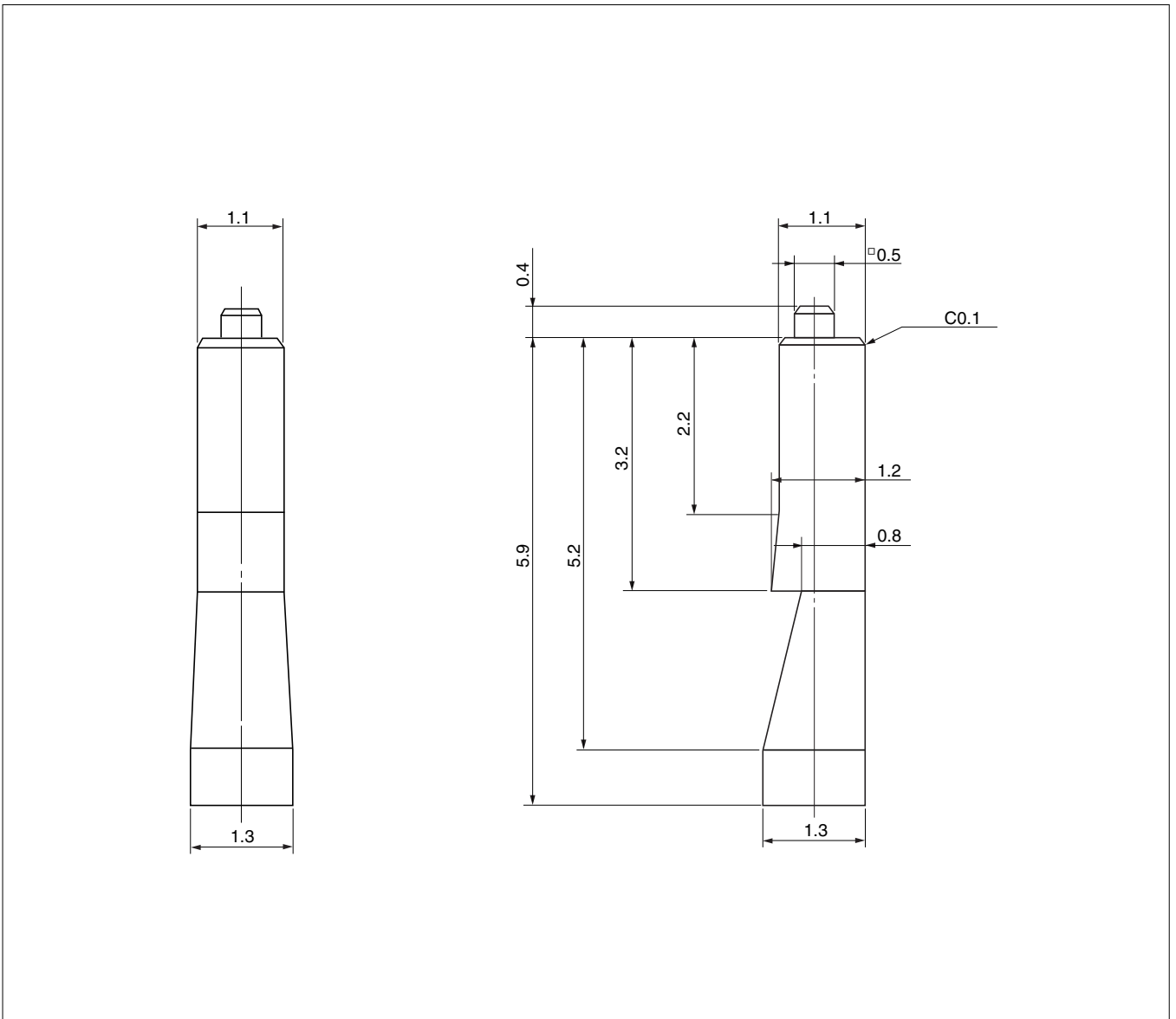


● Configuration of product Part No.

LPC- PK

①

① Series name



For use with insulators: LPC series cable crimping type female insulator

Straight through hole type male connector for PCB
LPC-B()M2()

For PCB

Straight Through hole

RoHS

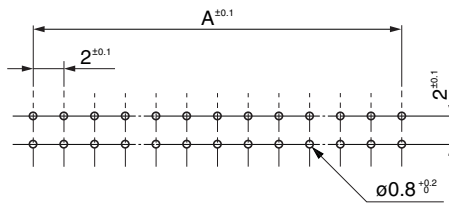
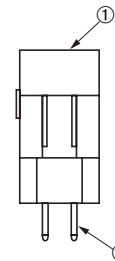
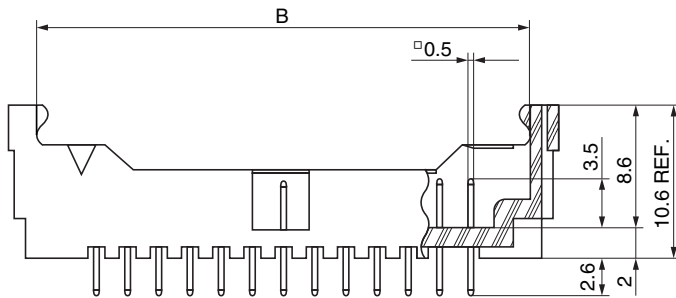
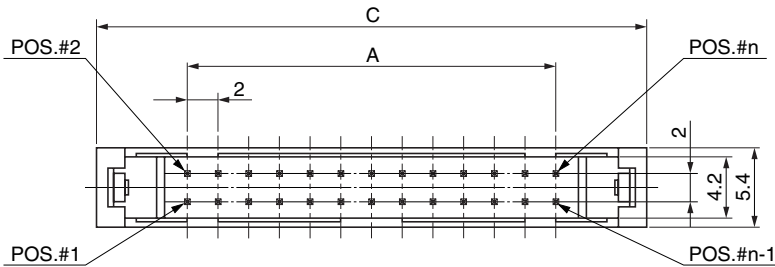


● Configuration of product Part No.

LPC-B () M2 ()

① ② ③ ④

- ① Series name
- ② No. of contacts: 10, 12, 14, 16, 20, 22, 24, 26, 30, 36, 40, 44 or 50
- ③ Straight through hole type, male connector
- ④ Contact plating
G : Contact area 0.2μm Gold plate
G2: Contact area 0.05μm Gold plate



Recommended PCB layout

● Components

①	Insulator
②	Contacts

Because some combinations of "Configurations of Product Part No.", are under consideration for development, please contact us for availability details.

● Dimensions

Part No.	A	B	C
LPC-B10M2()	8	16.15	20.3
LPC-B12M2()	10	18.15	22.3
LPC-B14M2()	12	20.15	24.3
LPC-B16M2()	14	22.15	26.3
LPC-B20M2()	18	26.15	30.3
LPC-B22M2()	20	28.15	32.3
LPC-B24M2()	22	30.15	34.3
LPC-B26M2()	24	32.15	36.3
LPC-B30M2()	28	36.15	40.3
LPC-B36M2()	34	42.15	46.3
LPC-B40M2()	38	46.15	50.3
LPC-B44M2()	42	50.15	54.3
LPC-B50M2()	48	56.15	60.3

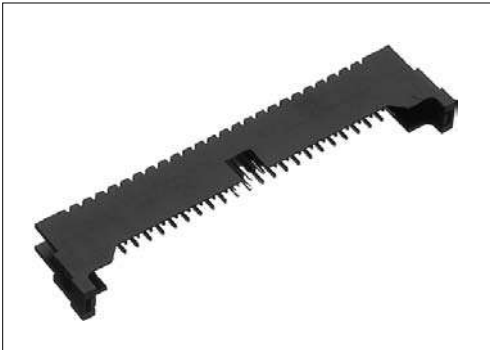
Mating connectors: LPC-B series female connectors for flat cable

Right-angle through hole type male connector for PCB
LPC-B()M2L()

For PCB

Right-angle Through hole

RoHS

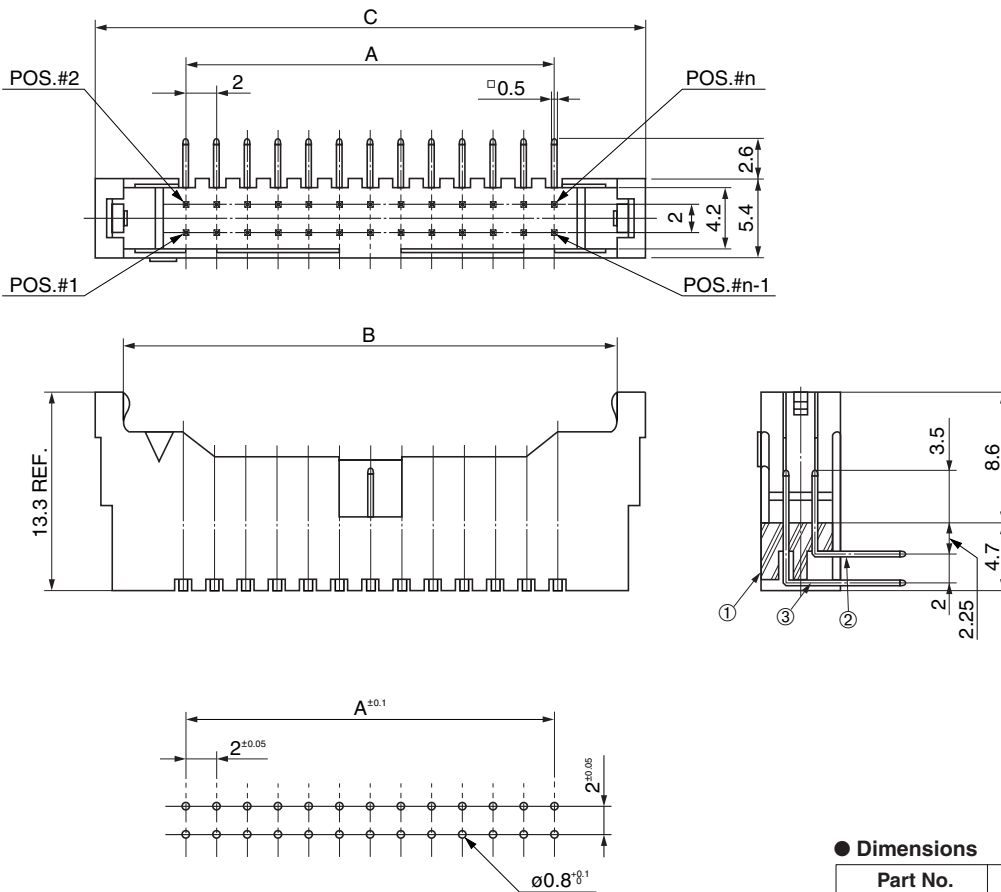


● Configuration of product Part No.

LPC-B () M2L ()

① ② ③ ④

- ① Series name
- ② No. of contacts: 20, 26, 30, 34, 36, 40, 44 or 50
- ③ Right-angle DIP type, male connector
- ④ Contact plating
G : Contact area 0.2μm Gold plate
G2: Contact area 0.05μm Gold plate



● Dimensions

Part No.	A	B	C
LPC-B20M2L()	18	26.15	30.3
LPC-B26M2L()	24	32.15	36.3
LPC-B30M2L()	28	36.15	40.3
LPC-B34M2L()	32	40.15	44.3
LPC-B36M2L()	34	42.15	46.3
LPC-B40M2L()	38	46.15	50.3
LPC-B44M2L()	42	50.15	54.3
LPC-B50M2L()	48	56.15	60.3

● Components

①	Insulator
②	Short contacts
③	Long contacts

Because some combinations of "Configurations of Product Part No.", are under consideration for development, please contact us for availability details.

Mating connectors: LPC-B series female connectors for flat cable

Straight SMT type male connector for PCB
LPC-B()MY2()

For PCB

Straight SMT

RoHS

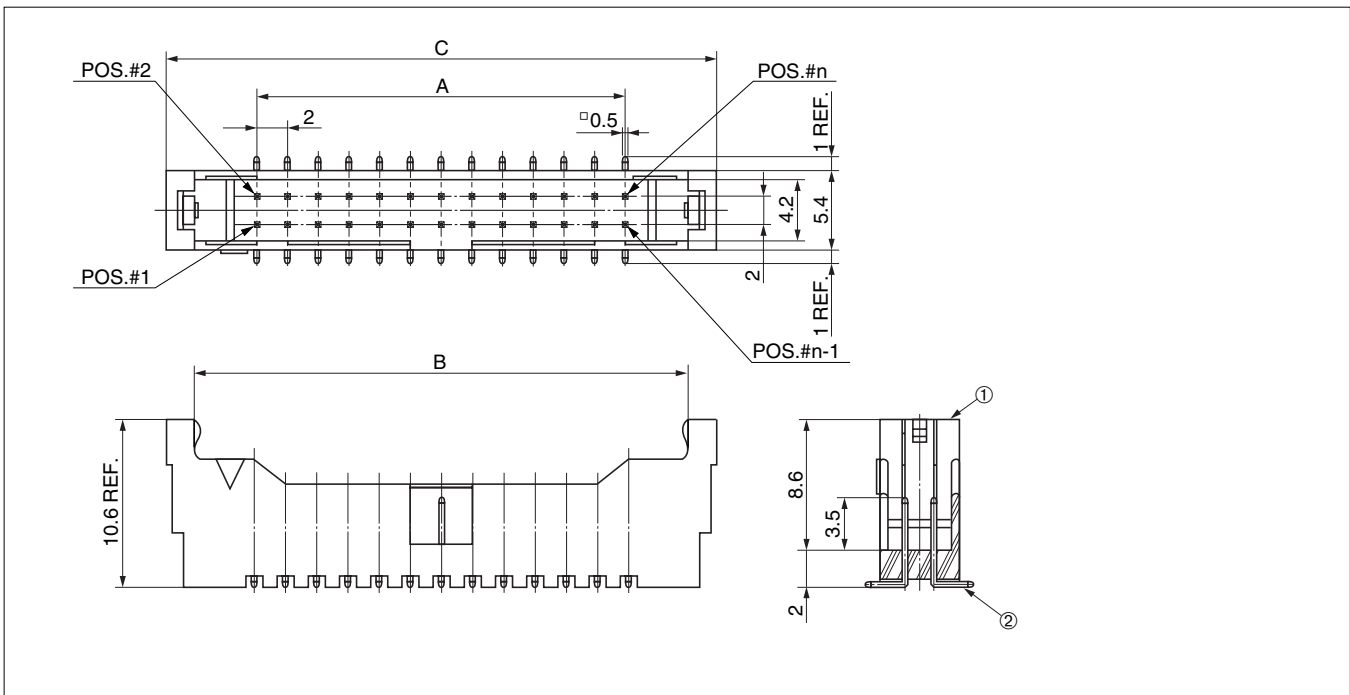


● Configuration of product Part No.

LPC-B () MY2 ()

① ② ③ ④

- ① Series name
- ② No. of contacts: 10, 12, 14, 16, 20, 22, 24, 26, 30, 36, 40, 44 or 50
- ③ Straight SMT type, male connector
- ④ Contact plating
 G : Contact area 0.2μm Gold plate
 G2: Contact area 0.05μm Gold plate



Recommended PCB layout

● Dimensions

Part No.	A	B	C
LPC-B10MY2()	8	16.15	20.3
LPC-B12MY2()	10	18.15	22.3
LPC-B14MY2()	12	20.15	24.3
LPC-B16MY2()	14	22.15	26.3
LPC-B20MY2()	18	26.15	30.3
LPC-B22MY2()	20	28.15	32.3
LPC-B24MY2()	22	30.15	34.3
LPC-B26MY2()	24	32.15	36.3
LPC-B30MY2()	28	36.15	40.3
LPC-B36MY2()	34	42.15	46.3
LPC-B40MY2()	38	46.15	50.3
LPC-B44MY2()	42	50.15	54.3
LPC-B50MY2()	48	56.15	60.3

● Components

①	Insulator
②	Contacts

Because some combinations of "Configurations of Product Part No.", are under consideration for development, please contact us for availability details.

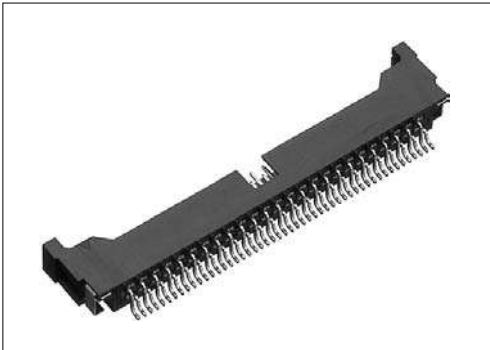
Mating connectors: LPC-B series female connectors for flat cable

Right-angle SMT type male connector for PCB
LPC-B()MY2L()+

For PCB

Right-angle SMT

RoHS

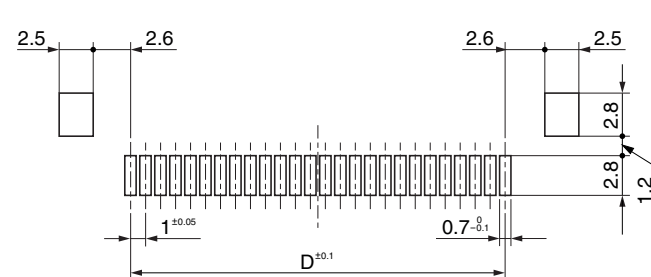
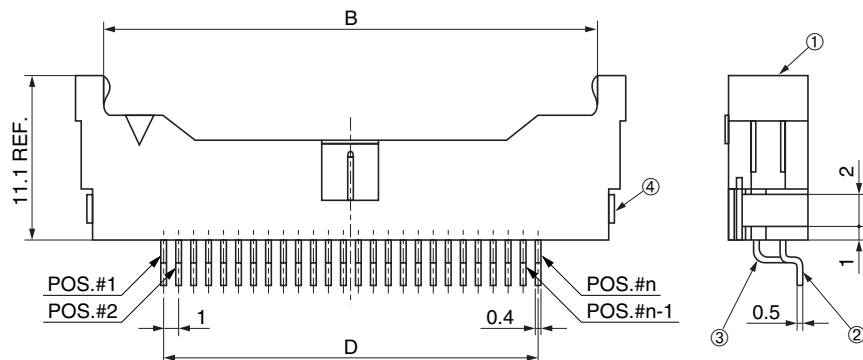
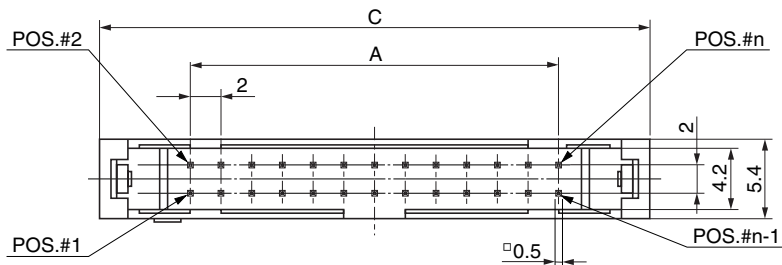


● Configuration of product Part No.

LPC-B () MY2L ()+

① ② ③ ④

- ① Series name
- ② No. of contacts: 10, 12, 14, 16, 20, 22, 24, 26, 30, 40, 44 or 50
- ③ Right-angle SMT type, male connector
- ④ Contact plating
G : Contact area 0.2μm Gold plate
G2 : Contact area 0.05μm Gold plate



● Dimensions

Part No.	A	B	C	D
LPC-B10MY2L()+	8	16.15	20.3	9
LPC-B12MY2L()+	10	18.15	22.3	11
LPC-B14MY2L()+	12	20.15	24.3	13
LPC-B16MY2L()+	14	22.15	26.3	15
LPC-B20MY2L()+	18	26.15	30.3	19
LPC-B22MY2L()+	20	28.15	32.3	21
LPC-B24MY2L()+	22	30.15	34.3	23
LPC-B26MY2L()+	24	32.15	36.3	25
LPC-B30MY2L()+	28	36.15	40.3	29
LPC-B40MY2L()+	38	46.15	50.3	39
LPC-B44MY2L()+	42	50.15	54.3	43
LPC-B50MY2L()+	48	56.15	60.3	49

● Components

①	Insulator
②	Short contacts
③	Long contacts
④	Hold down

Recommended PCB layout

Because some combinations of "Configurations of Product Part No.", are under consideration for development, please contact us for availability details.

Mating connectors: LPC-B series female connectors for flat cable

IDC type female connector for flat cable
LPC-B() ()FA()

2 mm pitch connector

For 1 mm pitch flat cable

IDC

RoHS



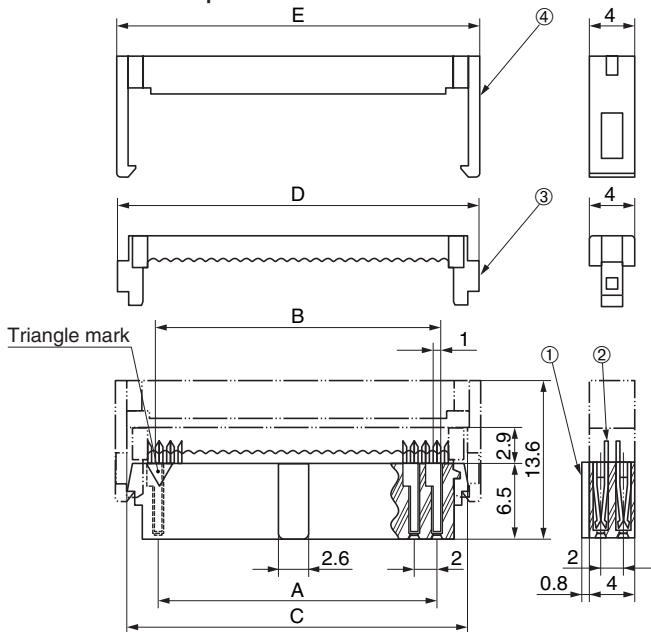
● Configuration of product Part No.

LPC-B () () FA ()

① ② ③ ④ ⑤

- ① Series name
- ② No. of contacts: 10, 12, 14, 16, 20, 22, 24, 26, 30, 36, 40, 44 or 50
- ③ Strain relief
Blank: Not provided
R : Provided
- ④ Type of contact: Female connector
- ⑤ Contact plating
G1 : Contact area 0.2 μm Gold plate
G2+: Contact area 0.05 μm Gold plate

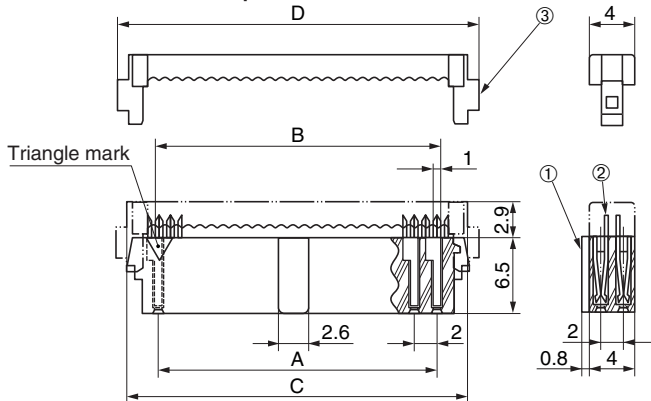
When strain relief is provided:



● Components

①	Insulator
②	Contacts
③	Cable housing
④	Strain relief

When strain relief is not provided:



● Dimensions

Part No.	A	B	C	D	E
LPC-B10RFA(),FA()	8	9	13.8	15.8	16
LPC-B12RFA(),FA()	10	11	15.8	17.8	18
LPC-B14RFA(),FA()	12	13	17.8	19.8	20
LPC-B16RFA(),FA()	14	15	19.8	21.8	22
LPC-B20RFA(),FA()	18	19	23.8	25.8	26
LPC-B22RFA(),FA()	20	21	25.8	27.8	28
LPC-B24RFA(),FA()	22	23	27.8	29.8	30
LPC-B26RFA(),FA()	24	25	29.8	31.8	32
LPC-B30RFA(),FA()	28	29	33.8	35.8	36
LPC-B36RFA(),FA()	34	35	39.8	41.8	42
LPC-B40RFA(),FA()	38	39	43.8	45.8	46
LPC-B44RFA(),FA()	42	43	47.8	49.8	50
LPC-B50RFA(),FA()	48	49	53.8	55.8	56

Mating connectors: LPC-B series male connectors for PCB

Tools: (Refer to page Tool-14)

Cable assembly
LPC-B () () () - () () ()

2 mm pitch connector
For 1 mm pitch flat cable
IDC

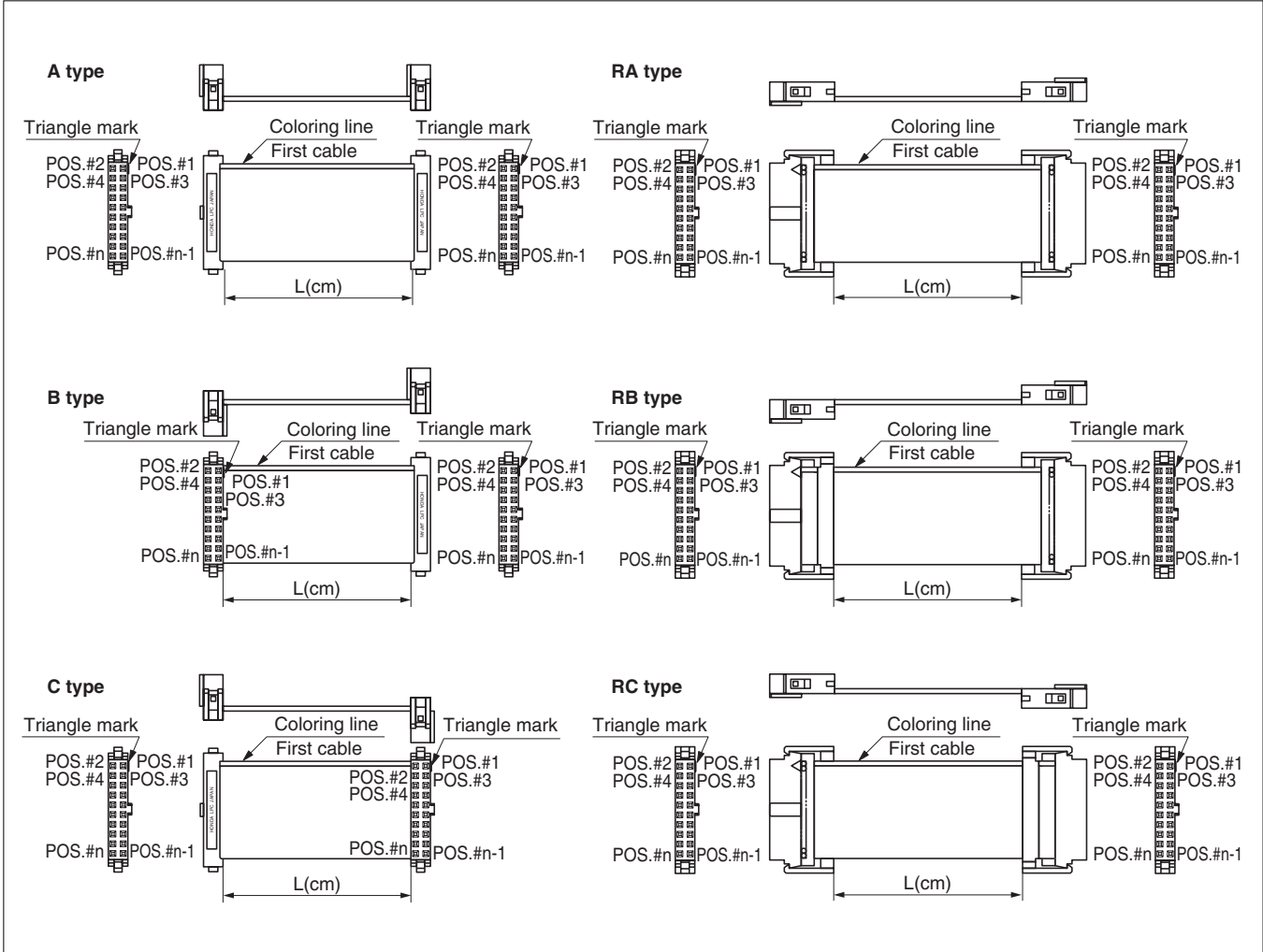
RoHS



● Configuration of product Part No.

LPC-B () () () - () () ()

- ① Series name
- ② No. of contacts: 10, 12, 14, 16, 20, 22, 24, 26, 30, 36, 40, 44 or 50
- ③ Strain relief A: Not provided RA: Provided
 B: Not provided RB: Provided
 C: Not provided RC: Provided
- ④ Contact plating G1: Contact area 0.2μm Gold plate
 G2: Contact area 0.05μm Gold plate
- ⑤ Cable length unit: cm
- ⑥ Type of cables
 Blank: Flat cable (made by Oki Electric Cable)
 K1 : Reed-screen type flat cable (made by Oki Electric Cable)
- ⑦ Signage indicates that the product adopts the RoHS Directive.
 Blank: When contact plating is "G1", signage is not provided.
 + : When contact plating is "G2", signage is provided.



Mating connectors: LPC-B series male connectors for PCB