



TAT Series

Compact High-speed Transmission Connectors

Waterproof Type For In-line Cable Assembly



Features

- > Supporting high speed transmission such as USB/LVDS.
- > Adopting the Positive Lock mechanism to achieve assured locking by the feel of latching and the sound of locking.
- > Achieving waterproof performance of IPX9K which is the highest level in the industry.
- > Adopting a full shielding structure by using a metal shell.
- > The plug connector can go through the diameter of $\phi 12$ mm opening.
- ※ This product is sold only as a completed and tested cable assembly with a cable connected. For details, please contact our sales representative.
- ※ For other key shapes(plus other insulator colors), please contact us.

Item Name Receptacle For In-line

TAT002A00AMM

RoHS

①

①MM: For In-line, Receptacle

Item Name Plug For Cable

TAT001A00AMF

RoHS

①

①MF: For Cable, Plug

◎Specification

▶ Current Rating	> 2.5A/Pin
▶ Insulation Resistance	> 1000MΩ at 500V D.C.
▶ Dielectric Withstanding Voltage	> 500V A.C.(r.m.s.) for a minute
▶ Contact Resistance	> 50mΩ MAX.
▶ Operating Temperature	> -40°C to +105°C
▶ Applicable Cable	> #24AWG, #26AWG, #28AWG

◎Components Structure

PART NAME	MATERIAL	FINISH/ REMARK
Insulator	PBT resin	UL94V-0
Contact	Copper alloy	Gold plating
Shell	Stainless steel	Nickle plating
Gasket	Silicone	-



Waterproof Receptacle Connector for In-line Cable Assembly, Crimping, 4 pos.

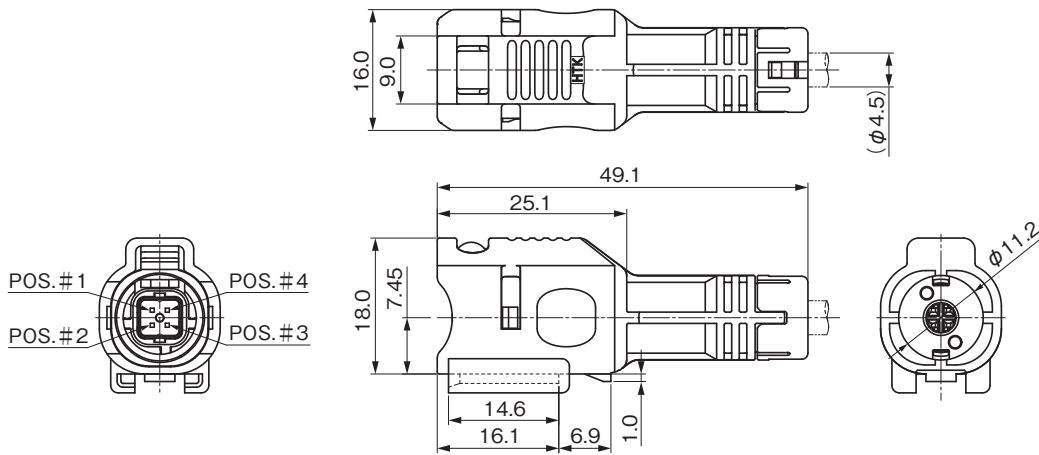
TAT002A00AMM

RoHS

①

①MM: For In-line, Receptacle

Mating connector
TAT001A00AMF



* This product is sold only as a completed and tested cable assembly with a cable connected. For details, please contact our sales representative.



Waterproof Plug Connector for Cable, Crimping, 4 pos.

TAT001A00AMF

RoHS

①

①MF: For Cable, Plug

Mating connector

TAT002A00AMM

