



TAK Series

Compact High-speed Transmission Connectors

For Board to Cable For In-line Cable Assembly



Features

- > Supporting high speed transmission such as USB/LVDS.
- > Adopting the Positive Lock mechanism to achieve assured loking by the feel of latching and the sound of locking.
- > Adopting seven types of key shapes (insulator colors) to prevent incorrect fitting by different shapes and visual measures.
- > Adopting a full shielding structure by using a metal shell.
- > Providing connectors supporting 2-stage hot swapping.
- > Supporting three types of Outer Diameter.

Item Name

Receptacle

For P.C.B.

TAK-■■■■MDG■■■-■■■+

RoHS

① ② ③ ④ ⑤ ⑥ ⑦ ⑧ ⑨ ⑩

① (Right-angle: 4 pos. , Straight: 6 pos.), **V**: Current Rating 2.5A

(Straight: 4 pos. , Right-angle: 6 pos.), **A**: Current Rating 1A

② Number of pos.: **4, 6**

③ **Blank**: Straight, **L**: Right-angle

④ **M**: Receptacle

⑤ **D**: Through hole

⑥ **G**: Gold plating

⑦ Insulator color: (V4 Type) **B**: Black, **A**: Blue, **C**: Brown, **G**: Green, **H**: Gray, **D**: Orange, **R**: Red

(A4 Type) **B**: Black, **A**: Blue, **C**: Brown, **G**: Green, (V6 Type , A6 Type) **B**: Black, **A**: Blue, **C**: Brown

⑧ Hot swapping: (V4 Type) **Blank**: Long contacts #1 and #4 (A4 Type) **Blank**: Long contacts #1 and #4, **A**: No Hot swapping

(V6 Type) **A**: No Hot swapping (A6 Type) **B**: Long contacts #5 and #6

⑨ Key code (Interlocking to insulator color.): Black: **A**, Blue: **B**, Brown: **C**, Green: **D**, Gray: **E**, Orange: **F**, Red: **G**

⑩ Flange: (V4 Type , A4 Type , V6 Type) **F**: No Flange (A6 Type) **F**: No Flange **B**: With Flange

Item Name

Receptacle

For In-line

TAK-A■■SMCG■■-■■■+

RoHS

① ② ③ ④ ⑤ ⑥ ⑦ ⑧

① Number of pos.: **4, 6**

② **S**: Straight

③ **M**: Receptacle

④ **C**: Crimping

⑤ **G**: Gold plating

⑥ Insulator color: (4 pos.) **B**: Black, **A**: Blue, **C**: Brown, **G**: Green, (6 pos.) **B**: Black

⑦ Key code (Interlocking to insulator color.): Black: **A**, Blue: **B**, Brown: **C**, Green: **D**

⑧ Outer diameter: (4 pos.) **A**: 4.5 (6 pos.) **C**: 5.5

※ Only housing of the In-line receptacle is available for sale. Contacts are sold separately.
Refer to the accessory section for contacts.

Item Name

Plug

For Cable

TAK-■■■SFCG■■-■■■+

RoHS

① ② ③ ④ ⑤ ⑥ ⑦ ⑧ ⑨

① (4 pos.) V: Current Rating 2.5A (6 pos.) A: Current Rating 1A

② Number of pos.: 4, 6

③ S: Straight

④ F: Plug

⑤ C: Crimping

⑥ G: Gold plating

⑦ Insulator color: (4 pos.) B: Black, A: Blue, C: Brown, G: Green, H: Gray, D: Orange, R: Red (6 pos.) B: Black, A: Blue, C: Brown

⑧ Key code (Interlocking to insulator color.): Black: A, Blue: B, Brown: C, Green: D, Gray: E, Orange: F, Red: G

⑨ Outer diameter: (V4 Type) A: 4.5 (A6 Type) A: 3.8 B: 4.5 C: 5.5

※ Only housing of the In-line receptacle is available for sale. Contacts are sold separately.
Refer to the accessory section for contacts.

Item Name

Receptacle

For P.C.B.

8 pos.

TAK001A08BMM

RoHS

①

① MM: Right-angle for P.C.B., Receptacle

Item Name

Plug

For Cable

8 pos.

TAK001A08BMF

RoHS

①

① MF: For Cable, Plug

※ Only housing of the In-line receptacle is available for sale. Contacts are sold separately.
Refer to the accessory section for contacts.

◎ Specification

▶ Current Rating	> TAK-V:2.5A/Pin. TAK-A:1A/Pin.
▶ Insulation Resistance	> 1000MΩ at 500V D.C.
▶ Dielectric Withstanding Voltage	> 500V A.C.(r.m.s.) for a minute
▶ Contact Resistance	> 50mΩ MAX.
▶ Operating Temperature	> -40°C to +105°C
▶ Applicable Cable	> #22AWG, #24AWG, #26AWG #28AWG, #30AWG, #32AWG

◎ Component Structure

PART NAME	MATERIAL	FINISH/ REMARK
Insulator	PBT resin	UL94V-0
Contact	Copper alloy	Gold plating
Shell (A6LM)	Stainless steel Steel	Nickle plating Nickle plating
Shell A (A6SF, 08BMF)	Stainless steel	Nickle plating
Shell B (A6SF, 08BMF)	Stainless steel	-
Ground contact	Steel	Nickle plating



Receptacle Connector for P.C.B., Right-angle, Through Hole Type, 4 pos.

TAK-V4LMDG ■ - ■ F+

RoHS

① ②

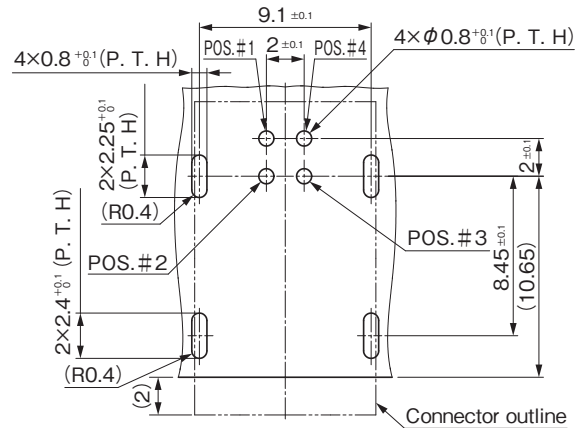
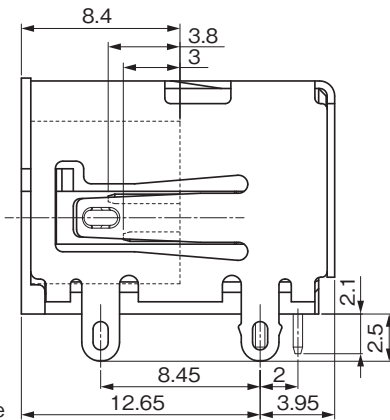
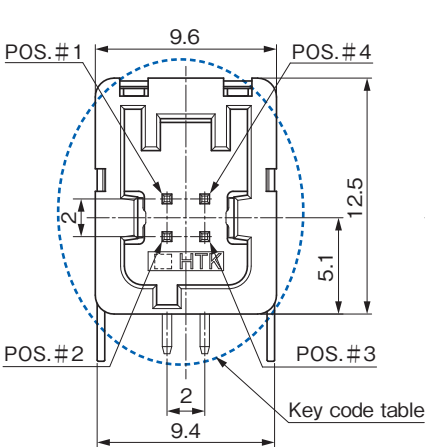
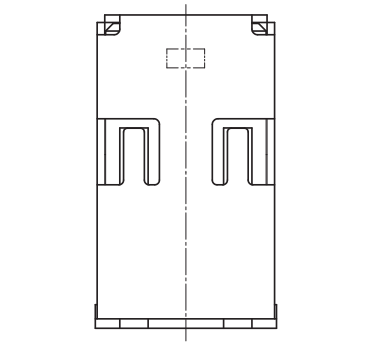
① Insulator color: B: Black, A: Blue, C: Brown, G: Green, H: Gray, D: Orange, R: Red

② Key code (Interlocking to insulator color.):

Black: A, Blue: B, Brown: C, Green: D, Gray: E, Orange: F, Red: G

Mating connector

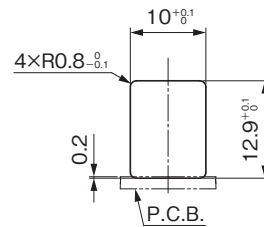
TAK-V4SFCG ■ - ■ A+



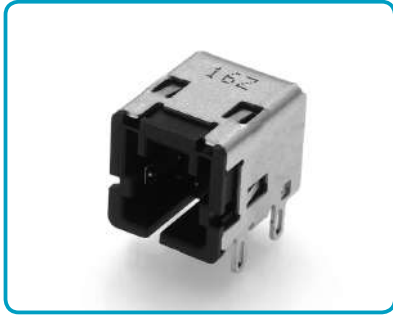
P.C.B. mounting dimensional drawing t=1.2~1.6mm (connector attachment surface drawing)

Key code table

Item name Color: Key code:	Key shape	Item name Color: Key code:	Key shape
TAK-V4LMDGB-AF+ Color: Black Key code: A		TAK-V4LMDGH-EF+ Color: Gray Key code: E	
TAK-V4LMDGA-BF+ Color: Blue Key code: B		TAK-V4LMDGD-FF+ Color: Orange Key code: F	
TAK-V4LMDGC-CF+ Color: Brown Key code: C		TAK-V4LMDGR-GF+ Color: Red Key code: G	
TAK-V4LMDGG-DF+ Color: Green Key code: D			



Panel mounting dimensional drawing t=1.0mm



Receptacle Connector for P.C.B., Right-angle, Through Hole Type, 6 pos.

TAK-A6LMDG ■ B- ■ ■ +

RoHS

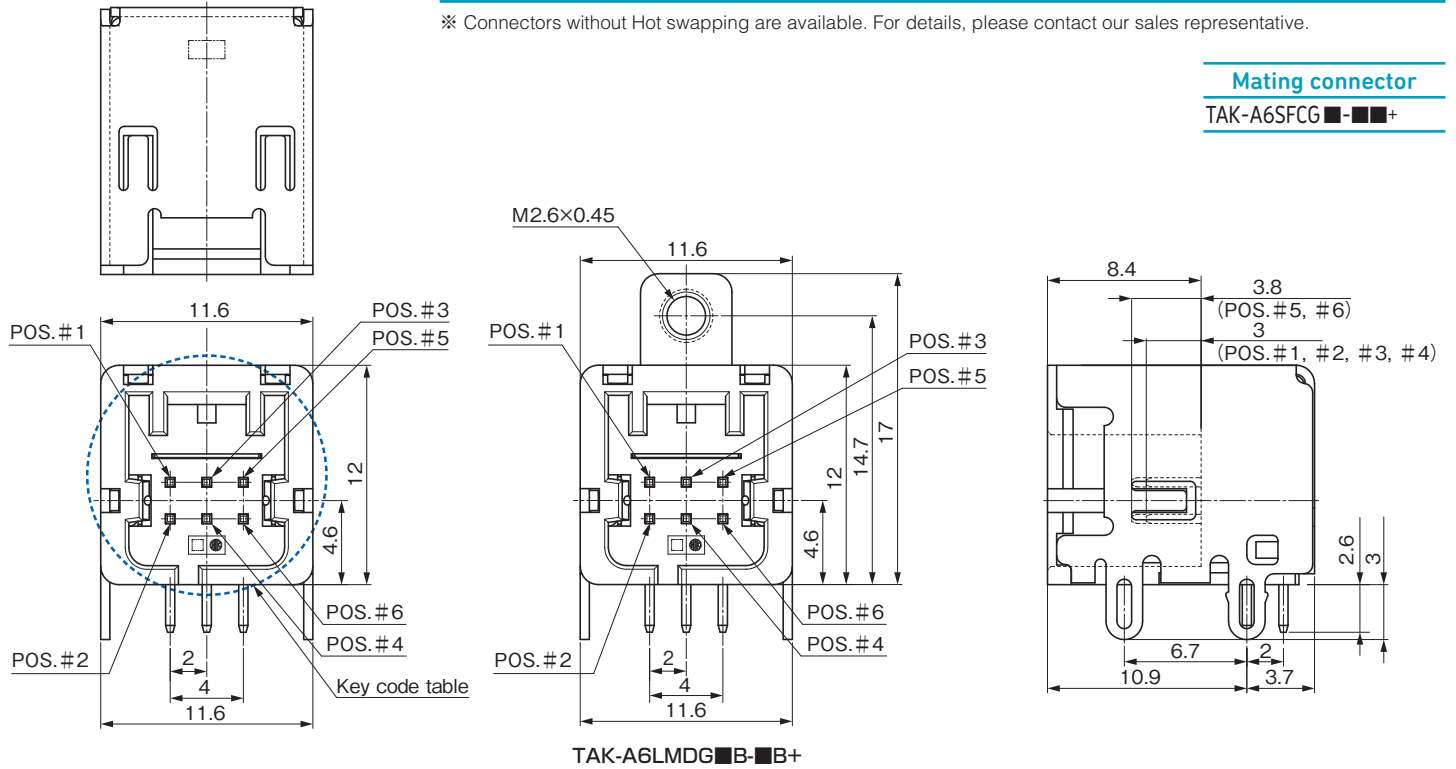
① ② ③ ④

- ① Insulator color: B: Black, A: Blue, C: Brown
- ② Hot swapping: B: Long contacts #5 and #6
- ③ Key code (Interlocking to insulator color.): Black: A, Blue: B, Brown: C, Green: D
- ④ Flange: B: With Flange F: No Flange

* Connectors without Hot swapping are available. For details, please contact our sales representative.

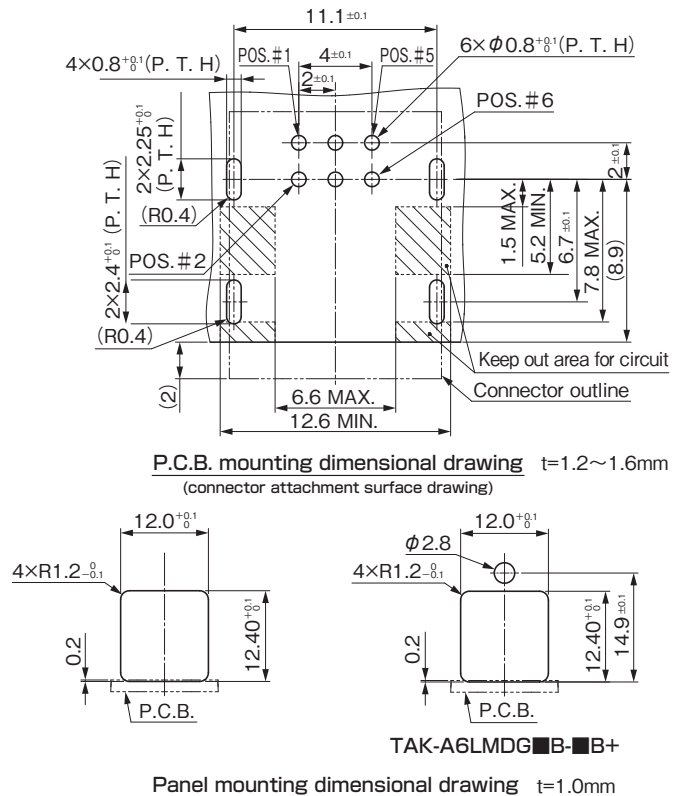
Mating connector

TAK-A6SFCG ■- ■ ■ +



◎ Key code table

Item name Color: Key code:	Key shape
TAK-A6LMDGBB-A ■ + Color: Black Key code: A	
TAK-A6LMDGAB-B ■ + Color: Blue Key code: B	
TAK-A6LMDGCB-C ■ + Color: Brown Key code: C	





Receptacle Connector for P.C.B., Straight, Through Hole Type, 4 pos.

TAK-A4MDG ■■-■F+

RoHS

① ② ③

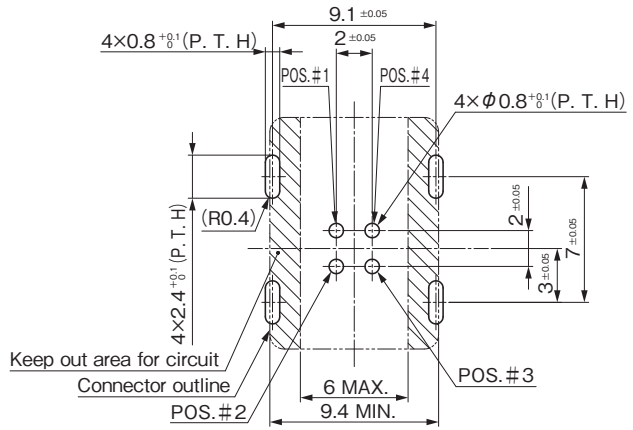
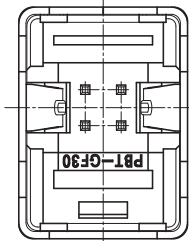
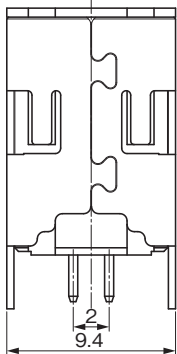
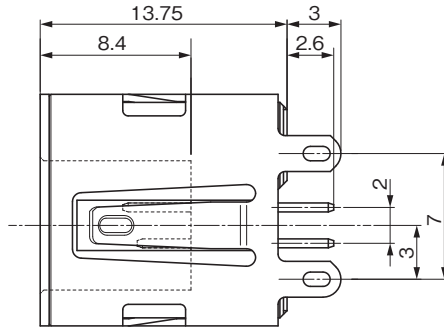
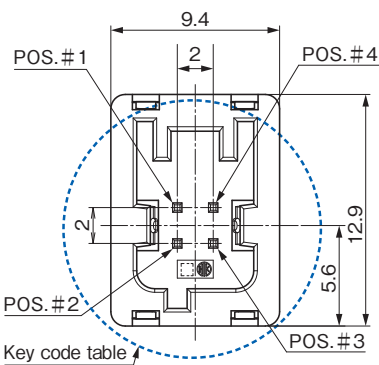
① Insulator color: B: Black, A: Blue, C: Brown, G: Green

② Hot swapping: Blank: Long contacts #1 and #4 A: No Hot swapping

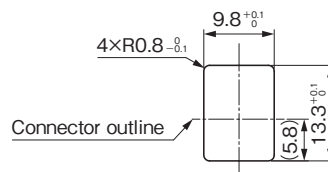
③ Key code (Interlocking to insulator color.): Black: A, Blue: B, Brown: C, Green: D

Mating connector

TAK-V4SFCG ■-■A+



P.C.B. mounting dimensional drawing t=1.2~1.6mm
(connector attachment surface drawing)

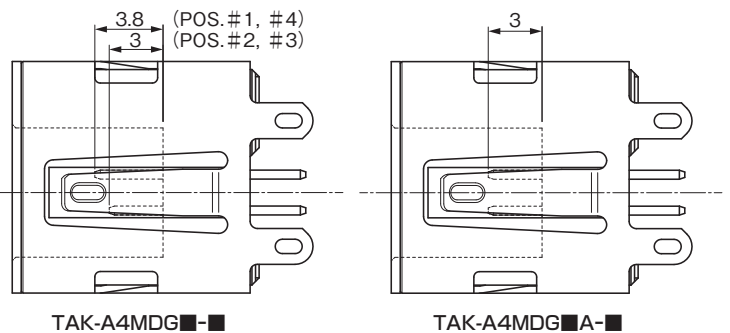


Panel mounting dimensional drawing t=1.0mm

◎Key code table

Item name Color: Key code:	Key shape	Item name Color: Key code:	Key shape
TAK-A4MDGB■-AF+ Color: Black Key code: A		TAK-A4MDGC■-CF+ Color: Brown Key code: C	
TAK-A4MDGA■-BF+ Color: Blue Key code: B		TAK-A4MDGG■-DF+ Color: Green Key code: D	

Connectors supporting Hot swapping





Receptacle Connector for P.C.B., Straight, Through Hole Type, 6 pos.

TAK-V6MDG ■ A-■ F+

RoHS

① ② ③

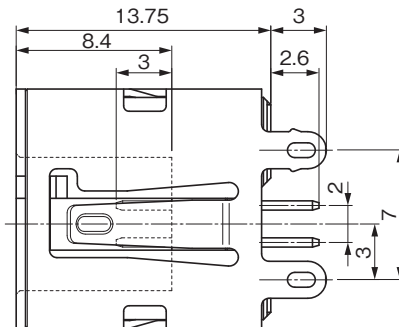
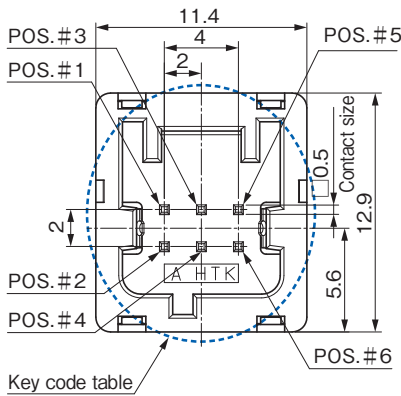
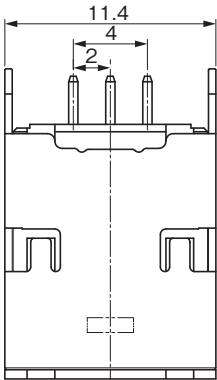
① Insulator color: B: Black, A: Blue, C: Brown

② Hot swapping: A: No Hot swapping

③ Key code (Interlocking to insulator color.): Black: A, Blue: B, Brown: C, Green: D

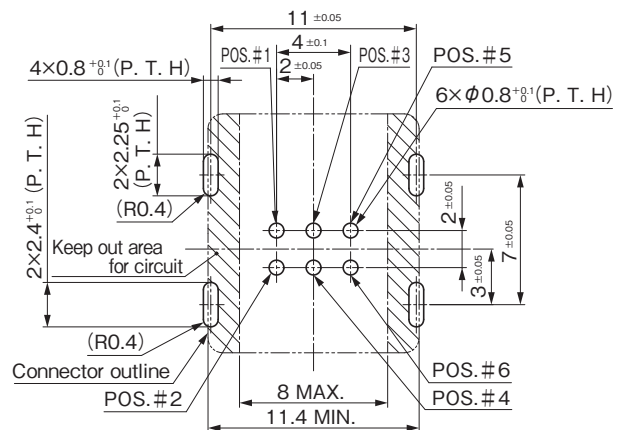
Mating connector

TAK-A6SFCG ■-■-■+

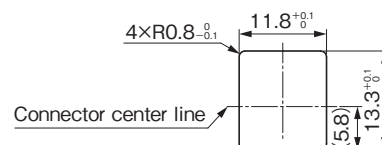


Key code table

Item name Color: Key code:	Key shape
TAK-V6MDGBA-AF+	
Color: Black Key code: A	
TAK-V6MDGAA-BF+	
Color: Blue Key code: B	
TAK-V6MDGCA-CF+	
Color: Brown Key code: C	



P.C.B. mounting dimensional drawing $t=1.2\sim 1.6\text{mm}$
(connector attachment surface drawing)



Panel mounting dimensional drawing $t=1.0\text{mm}$



Receptacle Connector for In-line Cable Assembly, Crimping, 4 pos.

TAK-A4SMCG ■-■A+

RoHS

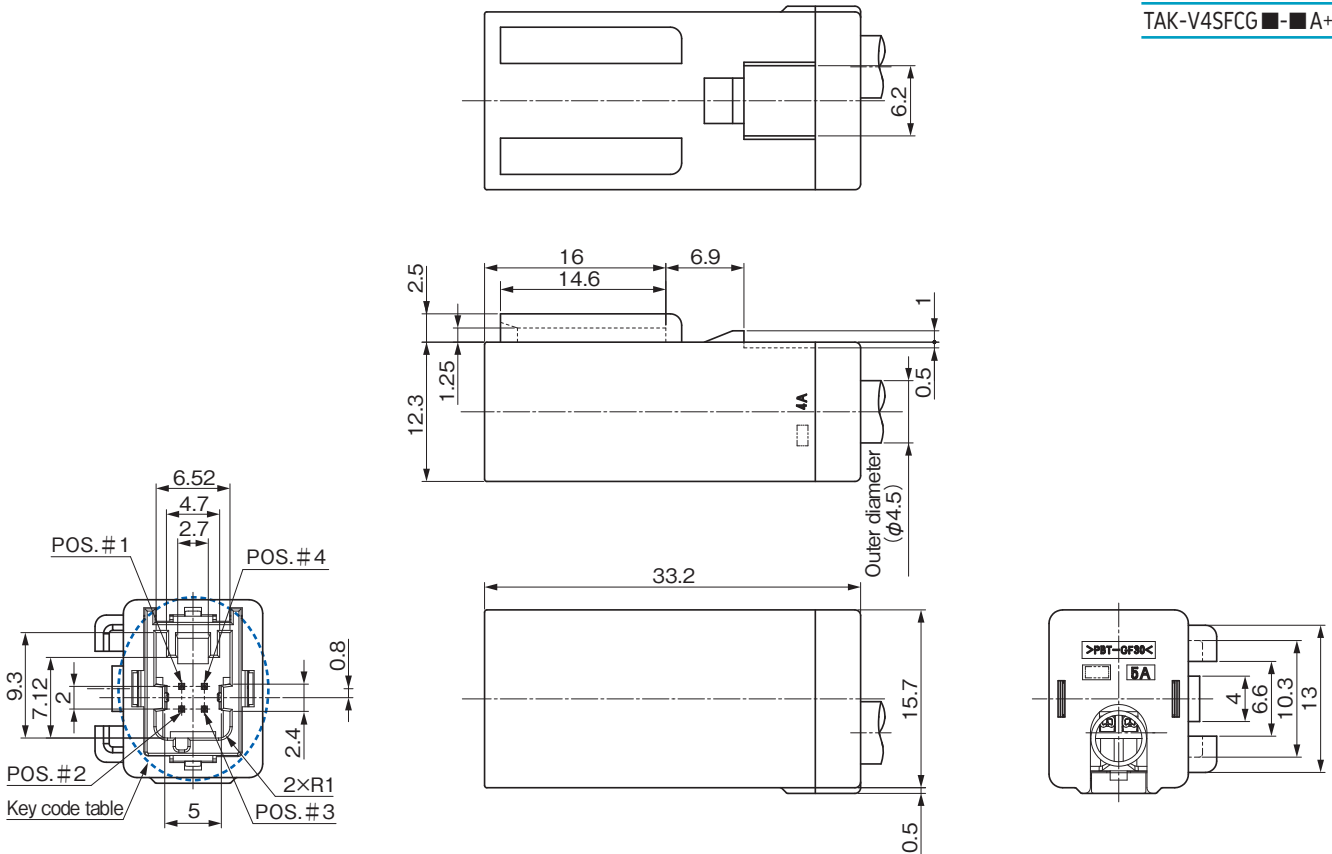
① ②

① Insulator color: B: Black, A: Blue, C: Brown, G: Green

② Key code (Interlocking to insulator color.): Black: A, Blue: B, Brown: C, Green: D

Mating connector

TAK-V4SFCG ■-■A+



Key code table

Item name Color: Key code:	Key shape	Item name Color: Key code:	Key shape
TAK-A4SMCGB-AA+ Color: Black Key code: A		TAK-A4SMCGC-CA+ Color: Brown Key code: C	
TAK-A4SMCGA-BA+ Color: Blue Key code: B		TAK-A4SMCGG-DA+ Color: Green Key code: D	

Applicable contacts

Item Name	Applicable Cable	Insulation Diameter
TAK-MGE+	#22AWG, #24AWG, #26AWG	φ1.1 MAX.
TAK-MGB+	#28AWG, #30AWG, #32AWG	φ1.0 MAX.



Receptacle Connector for In-line Cable Assembly Crimping, 6 pos.

TAK-A6SMCGB-AC+

RoHS

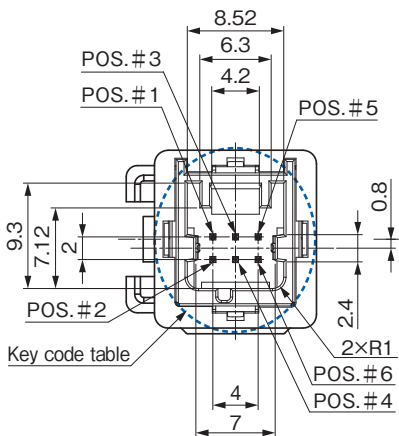
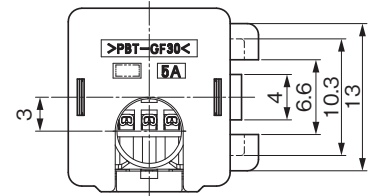
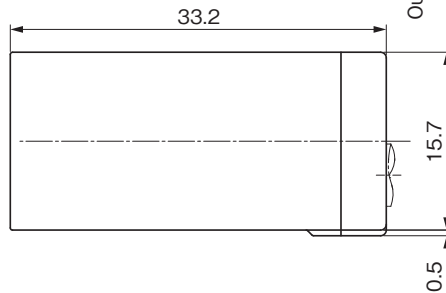
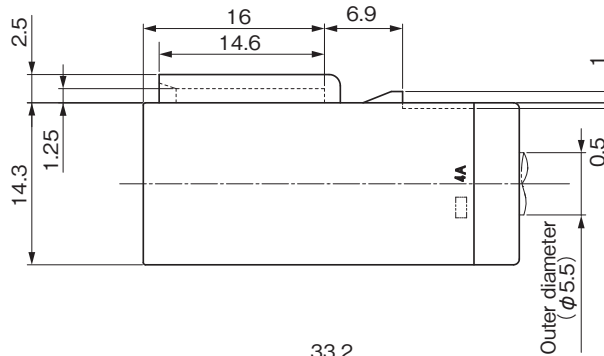
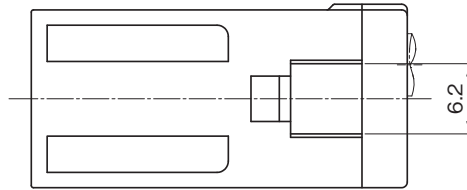
① ②

① Insulator color; B: Black

② Key code (Interlocking to insulator color.); Black: A

Mating connector

TAK-A6SFCGB-A■+



Key code table

Item name Color: Key code:	Key shape
TAK-A6SMCGB-AC+	
Color: Black Key code: A	

Applicable contacts

Item Name	Applicable Cable	Insulation Diameter
TAK-MGE+	#22AWG, #24AWG, #26AWG	φ1.1 MAX.



Plug Connector for Cable, Crimping, 4 pos.

TAK-V4SFCG ■-■ **A+**

RoHS

① ②

① Insulator color: **B**: Black, **A**: Blue, **C**: Brown, **G**: Green, **H**: Gray, **D**: Orange, **R**: Red

② Key code (Interlocking to insulator color.):

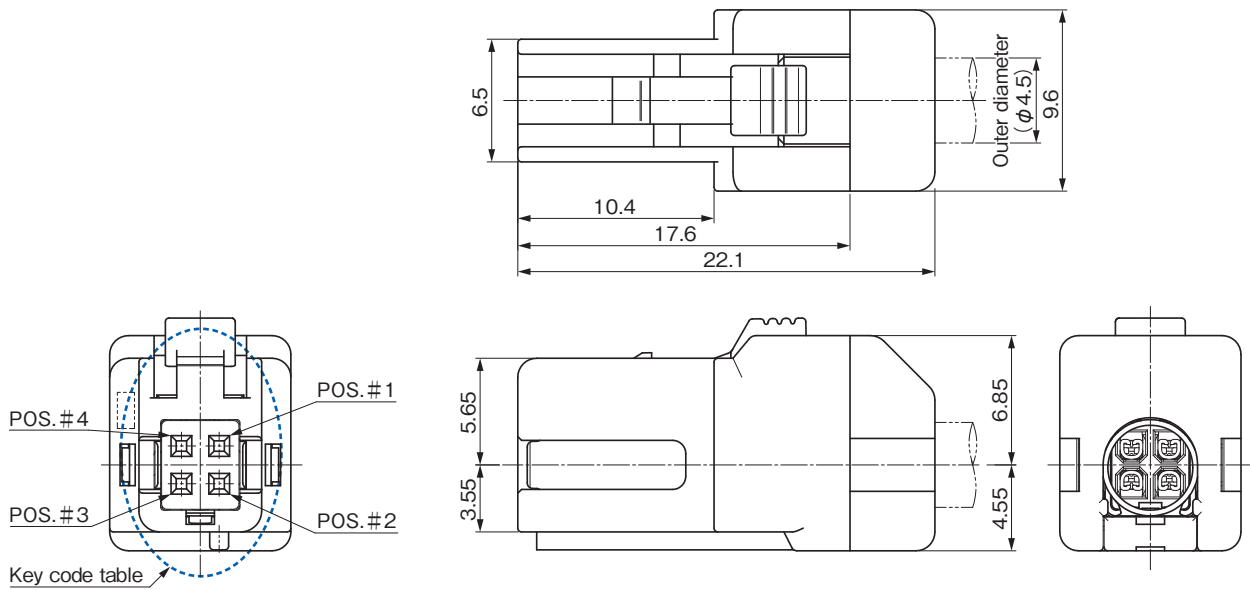
Black: **A**, Blue: **B**, Brown: **C**, Green: **D**, Gray: **E**, Orange: **F**, Red: **G**

Mating connector

TAK-V4LMDG ■-■ **F+**

TAK-A4MDGB ■■-■ **F+**

TAK-A4SMCG ■-■ **A+**



Key code table

Item name Color: Key code:	Key shape	Item name Color: Key code:	Key shape
TAK-V4SFCGB-AA+ Color: Black Key code: A		TAK-V4SFCGH-EA+ Color: Gray Key code: E	
TAK-V4SFCGA-BA+ Color: Blue Key code: B		TAK-V4SFCGD-FA+ Color: Orange Key code: F	
TAK-V4SFCGC-CA+ Color: Brown Key code: C		TAK-V4SFCGR-GA+ Color: Red Key code: G	
TAK-V4SFCGG-DA+ Color: Green Key code: D			

Applicable contacts

Item Name	Applicable Cable	Insulation Diameter
TAK-FGB+	#24AWG, #26AWG, #28AWG	φ1.1 MAX.



Plug Connector for Cable, Crimping, 6 pos.

TAK-A6SFCG ■ - ■ ■ +

RoHS

① ② ③

① Insulator color: B: Black, A: Blue, C: Brown

② Key code (Interlocking to insulator color.): Black: A, Blue: B, Brown: C

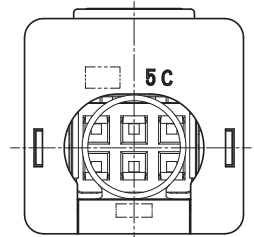
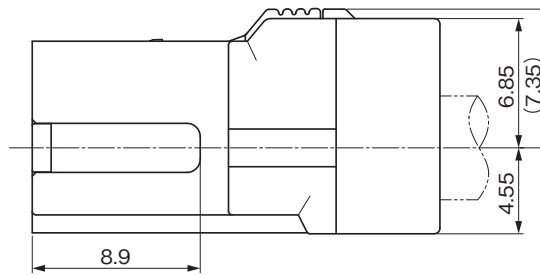
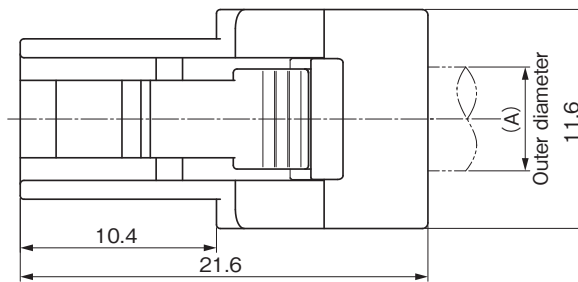
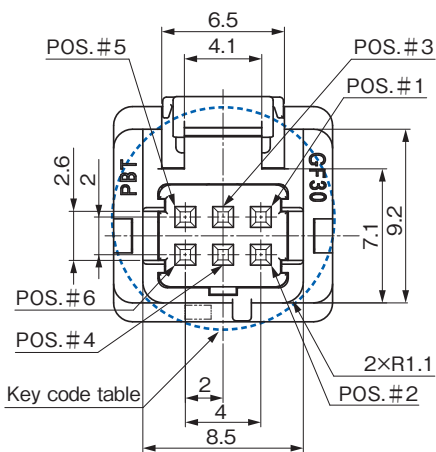
③ Outer diameter: A: 3.8 B: 4.5 C: 5.5

Mating connector

TAK-A6LMDG ■ ■ ■ ■ +

TAK-V6MDG ■ A - ■ F+

TAK-A6SMCGB-AC+



Key code table

Item name Color: Key code:	Key shape
TAK-A6SFCGB-A ■ + Color: Black Key code: A	
TAK-A6SFCGA-B ■ + Color: Blue Key code: B	
TAK-A6SFCGC-C ■ + Color: Brown Key code: C	

Applicable contacts

Item Name	Applicable Cable	Insulation Diameter
LPC-F113L	#22AWG, #24AWG, #26AWG	φ1.1 MAX.
LPC-F113N	#28AWG, #30AWG, #32AWG	φ1.0 MAX.
LPC-F113S	#32AWG	φ0.6 MAX.

Dimension table

Item Name	A
TAK-A6SFCG ■ - ■ A	φ3.8
TAK-A6SFCG ■ - ■ B	φ4.5
TAK-A6SFCG ■ - ■ C	φ5.5



Receptacle Connector for P.C.B., Right-angle, Through Hole Type, 8 pos.

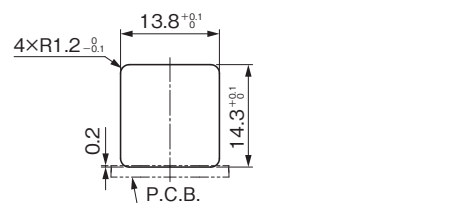
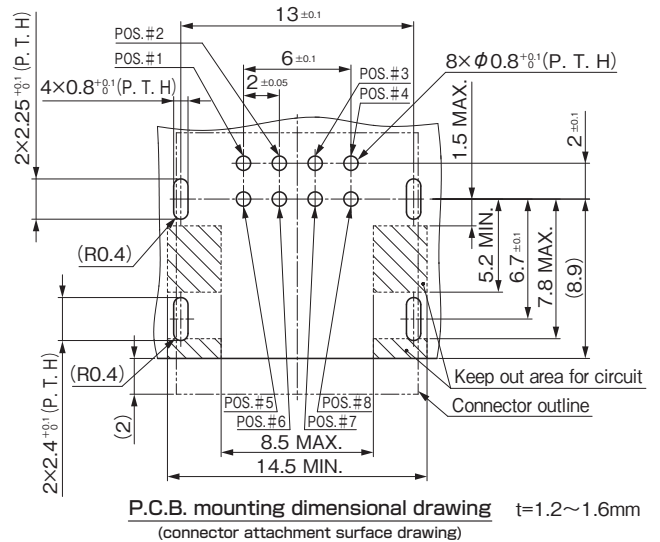
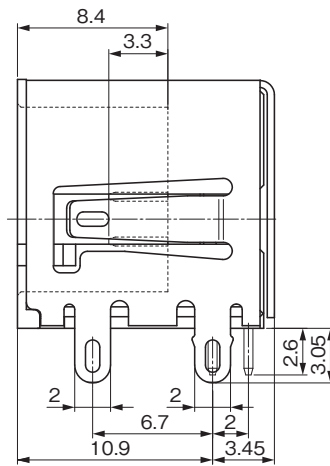
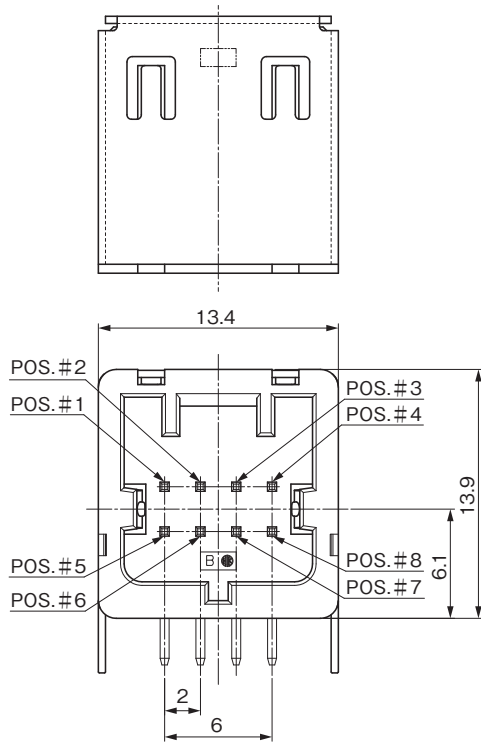
TAK001A08BMM

RoHS

①

①MM: Right-angle for P.C.B., Receptacle

Mating connector
TAK001A08BMF





Plug Connector for Cable, Crimping, 8 pos.

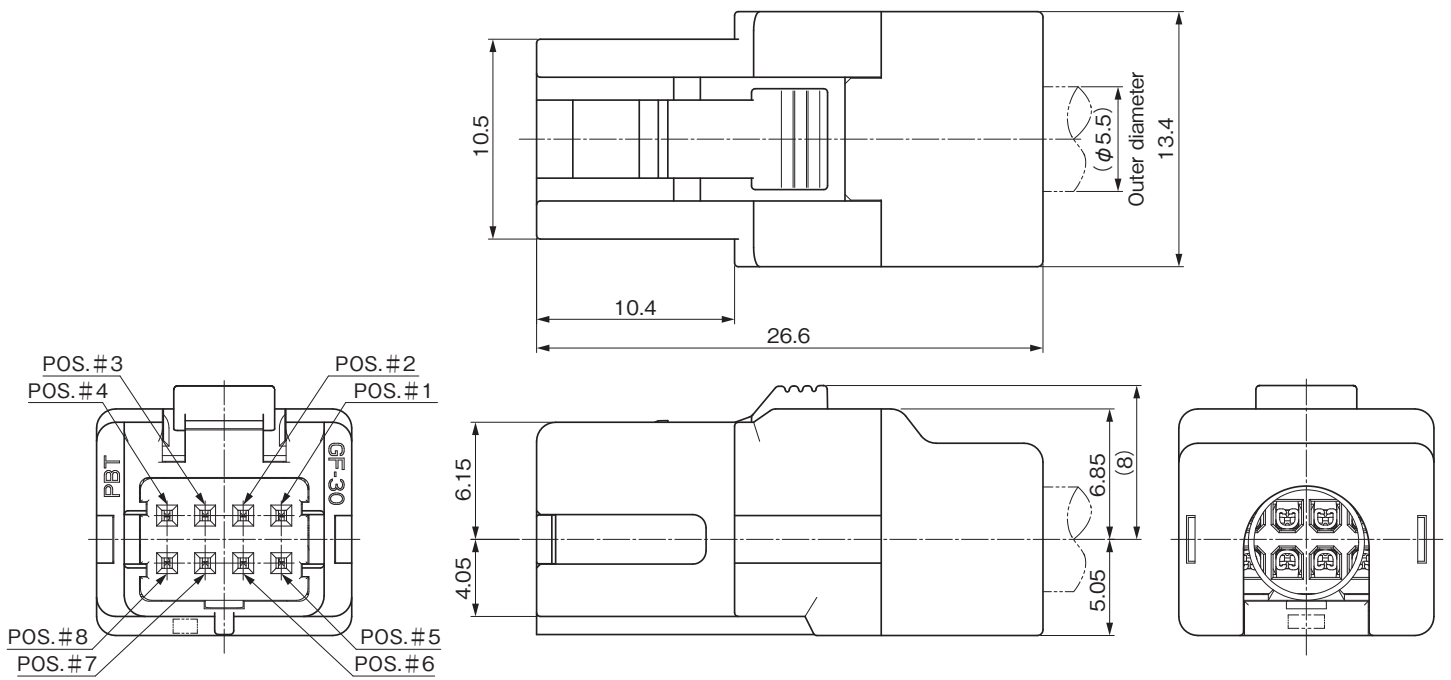
TAK001A08BMF

RoHS

①

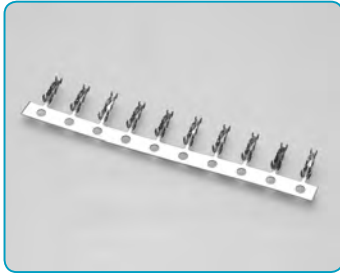
①MF: For Cable, Plug

Mating connector
TAK001A08BMM



Applicable contacts

Item Name	Applicable Cable	Insulation Diameter
TAK-FGB+	#24AWG, #26AWG, #28AWG	$\phi 1.1$ MAX.



Contact for Plug TAK-A Type

LPC-F113 ■ - ■■■■

RoHS

①

②

① Applicable Cable: **S**: #32AWG, **N**: #28-32AWG, **L**: #22-26AWG

② Sales unit: **50**: 55 pc, **500R**: 500 pc (excluding LPC-F113S)

※ Please note that the contacts are sold in units as the number of orders multiplied by the sales units.

If 500 pieces of LPC-F113 ■-■■■■ contacts are necessary, please set your order quantity of LPC-F113 ■-500R as "1."



Contact for Plug TAK-V/ TAK 8 pos. Type

TAK-FGB ■■■■■**+**

RoHS

①

②

① Applicable Cable: **B**: #24-28AWG

② Sales unit: **Blank**: 20,000 pc*, **-500R**: 500 pc

※ Please note that the contacts are sold in units as the number of orders multiplied by the sales units.

If 500 pieces of TAK-FGB-■■■■■**+** contacts are necessary, please set your order quantity of TAK-FGB-500R+ as "1."

* However, in case of TAK-FGB+, please set your order quantity as 20,000 pieces if 20,000 pieces of contacts are necessary, even the sales units of TAK-FGB+ is 20,000 pieces.



Contact for In-line Cable Assembly

TAK-MG ■ - ■■■**R+**

RoHS

①

②

① Applicable Cable: **B**: #28-32AWG, **E**: #22-26AWG

② Sales unit: **Blank**: 10,000 pc, **500**: 500 pc

※ Please note that the contacts are sold in units as the number of orders multiplied by the sales units.

If 500 pieces of TAK-MG ■-■■■**R+** contacts are necessary, please set your order quantity of TAK-MG ■-500R+ as "1."

※ For information on jigs, please contact our sales representative.

TAK Series Mating List/ Key Code List

Receptacle	Mating Structure	Insulator Color, Key Shape							Plug
TAK-V4LMDG■-■F+	Board to Cable / Horizontal connection								TAK-V4SFCG■-■A+
	Insulator color	Black	Blue	Brown	Green	Gray	Orange	Red	
	Key code	A	B	C	D	E	F	G	
TAK-A6LMDG■B-■■+	Board to Cable / Horizontal connection								TAK-A6SFCG■-■■+
	Insulator color	Black	Blue	Brown					
	Key code	A	B	C					
TAK-A4MDG■-■F+	Board to Cable / Vertical connection								TAK-V4SFCG■-■A+
	Insulator color	Black	Blue	Brown	Green				
	Key code	A	B	C	D				
TAK-V6MDG■A-■F+	Board to Cable / Vertical connection								TAK-A6SFCG■-■■+
	Insulator color	Black	Blue	Brown					
	Key code	A	B	C					
TAK-A4SMCG■-■A+	In-line / Horizontal connection								TAK-V4SFCG■-■A+
	Insulator color	Black	Blue	Brown	Green				
	Key code	A	B	C	D				
TAK-A6SMCGB-AC+	In-line / Horizontal connection								TAK-A6SFCGB-A■+
	Insulator color	Black							
	Key code	A							
TAK001A08BMM	Board to Cable / Horizontal connection								TAK001A08BMF
	Insulator color	Black							
	Key code	A							

TAK Series List

Item Name	Current Rating	Number of pos.	Shape	Plug/Receptacle	Type	Connection	Insulator Color	Key Shape	Corresponding to Hot Swapping	Outer Diameter	Flange
TAK-A4MDGBA-AF+	1A	4	Straight	Receptacle	For P.C.B.	Through Hole	Black	4 pos. A Type	No	-	No
TAK-A4MDGBC-AF+	1A	4	Straight	Receptacle	For P.C.B.	Through Hole	Black	4 pos. A Type	#1, #4	-	No
TAK-A4MDGAA-BF+	1A	4	Straight	Receptacle	For P.C.B.	Through Hole	Blue	4 pos. B Type	No	-	No
TAK-A4MDGAB-BF+	1A	4	Straight	Receptacle	For P.C.B.	Through Hole	Blue	4 pos. B Type	#1, #4	-	No
TAK-A4MDGCA-CF+	1A	4	Straight	Receptacle	For P.C.B.	Through Hole	Brown	4 pos. C Type	No	-	No
TAK-A4MDGCB-CF+	1A	4	Straight	Receptacle	For P.C.B.	Through Hole	Brown	4 pos. C Type	#1, #4	-	No
TAK-A4MDGGA-DF+	1A	4	Straight	Receptacle	For P.C.B.	Through Hole	Green	4 pos. D Type	No	-	No
TAK-A4MDGG-DF+	1A	4	Straight	Receptacle	For P.C.B.	Through Hole	Green	4 pos. D Type	#1, #4	-	No
TAK-A6LMDGGB-AB+	1A	6	Right-angle	Receptacle	For P.C.B.	Through Hole	Black	6 pos. A Type	#5, #6	-	Yes
TAK-A6LMDGGB-AF+	1A	6	Right-angle	Receptacle	For P.C.B.	Through Hole	Black	6 pos. A Type	#5, #6	-	No
TAK-A6LMDGAB-BB+	1A	6	Right-angle	Receptacle	For P.C.B.	Through Hole	Blue	6 pos. B Type	#5, #6	-	Yes
TAK-A6LMDGAB-BF+	1A	6	Right-angle	Receptacle	For P.C.B.	Through Hole	Blue	6 pos. B Type	#5, #6	-	No
TAK-A6LMDGCB-CB+	1A	6	Right-angle	Receptacle	For P.C.B.	Through Hole	Brown	6 pos. C Type	#5, #6	-	Yes
TAK-A6LMDGCB-CF+	1A	6	Right-angle	Receptacle	For P.C.B.	Through Hole	Brown	6 pos. C Type	#5, #6	-	No
TAK-V4LMDGB-AF+	2.5A	4	Right-angle	Receptacle	For P.C.B.	Through Hole	Black	4 pos. A Type	#1, #4	-	No
TAK-V4LMDGB-BF+	2.5A	4	Right-angle	Receptacle	For P.C.B.	Through Hole	Blue	4 pos. B Type	#1, #4	-	No
TAK-V4LMDGC-CF+	2.5A	4	Right-angle	Receptacle	For P.C.B.	Through Hole	Brown	4 pos. C Type	#1, #4	-	No
TAK-V4LMDGG-DF+	2.5A	4	Right-angle	Receptacle	For P.C.B.	Through Hole	Green	4 pos. D Type	#1, #4	-	No
TAK-V4LMDGH-EF+	2.5A	4	Right-angle	Receptacle	For P.C.B.	Through Hole	Gray	4 pos. E Type	#1, #4	-	No
TAK-V4LMDGD-FF+	2.5A	4	Right-angle	Receptacle	For P.C.B.	Through Hole	Orange	4 pos. F Type	#1, #4	-	No
TAK-V4LMDGR-GF+	2.5A	4	Right-angle	Receptacle	For P.C.B.	Through Hole	Red	4 pos. G Type	#1, #4	-	No
TAK-V6MDGBA-AF+	2.5A	6	Straight	Receptacle	For P.C.B.	Through Hole	Black	6 pos. A Type	No	-	No
TAK-V6MDGAA-BF+	2.5A	6	Straight	Receptacle	For P.C.B.	Through Hole	Blue	6 pos. B Type	No	-	No
TAK-V6MDGCA-CF+	2.5A	6	Straight	Receptacle	For P.C.B.	Through Hole	Brown	6 pos. C Type	No	-	No
TAK-A4SMCGB-AA+	1A	4	Straight	Receptacle	For In-line	Crimping	Black	4 pos. A Type	-	4.5	-
TAK-A4SMCGA-BA+	1A	4	Straight	Receptacle	For In-line	Crimping	Blue	4 pos. B Type	-	4.5	-
TAK-A4SMCGC-CA+	1A	4	Straight	Receptacle	For In-line	Crimping	Brown	4 pos. C Type	-	4.5	-
TAK-A4SMCGG-DA+	1A	4	Straight	Receptacle	For In-line	Crimping	Green	4 pos. D Type	-	4.5	-
TAK-A6SMCGB-AC+	1A	6	Straight	Receptacle	For In-line	Crimping	Black	6 pos. A Type	-	5.5	-
TAK-V4SFCGB-AA+	2.5A	4	Straight	Plug	For Cable	Crimping	Black	4 pos. A Type	-	4.5	-
TAK-V4SFCGA-BA+	2.5A	4	Straight	Plug	For Cable	Crimping	Blue	4 pos. B Type	-	4.5	-
TAK-V4SFCGC-CA+	2.5A	4	Straight	Plug	For Cable	Crimping	Brown	4 pos. C Type	-	4.5	-
TAK-V4SFCGG-DA+	2.5A	4	Straight	Plug	For Cable	Crimping	Green	4 pos. D Type	-	4.5	-
TAK-V4SFCGH-EA+	2.5A	4	Straight	Plug	For Cable	Crimping	Gray	4 pos. E Type	-	4.5	-
TAK-V4SFCGD-FA+	2.5A	4	Straight	Plug	For Cable	Crimping	Orange	4 pos. F Type	-	4.5	-
TAK-V4SFCGR-GA+	2.5A	4	Straight	Plug	For Cable	Crimping	Red	4 pos. G Type	-	4.5	-
TAK-A6SFCGB-AA+	1A	6	Straight	Plug	For Cable	Crimping	Black	6 pos. A Type	-	3.8	-
TAK-A6SFCGB-AB+	1A	6	Straight	Plug	For Cable	Crimping	Black	6 pos. A Type	-	4.5	-
TAK-A6SFCGB-AC+	1A	6	Straight	Plug	For Cable	Crimping	Black	6 pos. A Type	-	5.5	-
TAK-A6SFCGA-BA+	1A	6	Straight	Plug	For Cable	Crimping	Blue	6 pos. B Type	-	3.8	-
TAK-A6SFCGA-BB+	1A	6	Straight	Plug	For Cable	Crimping	Blue	6 pos. B Type	-	4.5	-
TAK-A6SFCGA-BC+	1A	6	Straight	Plug	For Cable	Crimping	Blue	6 pos. B Type	-	5.5	-
TAK-A6SFCGC-CA+	1A	6	Straight	Plug	For Cable	Crimping	Brown	6 pos. C Type	-	3.8	-
TAK-A6SFCGC-CB+	1A	6	Straight	Plug	For Cable	Crimping	Brown	6 pos. C Type	-	4.5	-
TAK-A6SFCGC-CC+	1A	6	Straight	Plug	For Cable	Crimping	Brown	6 pos. C Type	-	5.5	-
TAK001A08BMM	2.5A	8	Straight	Receptacle	For P.C.B.	Through Hole	Black	8 pos. A Type	No	-	No
TAK001A08BMF	2.5A	8	Straight	Plug	For Cable	Crimping	Black	8 pos. A Type	-	5.5	-