

# HDR Series

# HDRA Series

# HDR系列

# HDRA系列

**0.8mm pitch interface connector**  
0.8mm间距 接口用连接器



## Features 特点

### ★Compact and robust

#### ★小型、牢固

Mating pitch; 0.8mm  
嵌合部间距 采用0.8mm

### ★Abundant variation

#### ★产品阵容丰富多彩

Various choices for PC board side and cable side  
基板侧、电缆侧产品阵容丰富多彩

### ★Industrial camera standard compatible

#### ★符合工业摄像头标准

Support camera link  
对应Camera Link

### ★Support EMI/ESD

#### ★支持EMI/ESD

Prevent noise with metal shell  
采用金属壳体防止杂音

### ★High Durability

#### ★高耐久性

Design for High Durability of 5,000 times  
5,000次高耐久性计

### ★Support high speed transmission

#### ★对应高速传送

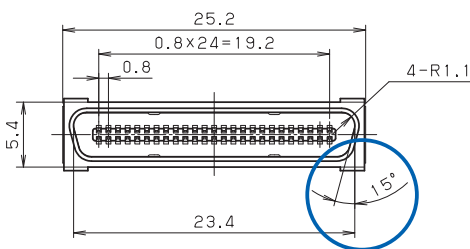
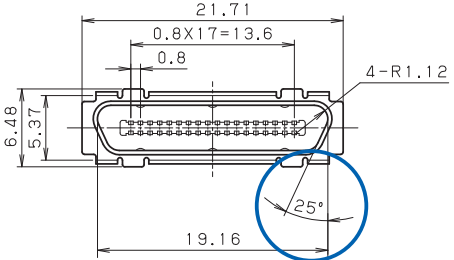
LVDS signal, etc.  
LVDS信号等

# HDR series and HDRA series Differences!

## HDR系列与HDRA系列有这些不同!

While basic specifications such as mating pitch (0.8mm) are same, the both series have the following differences.

虽然嵌合间距 (0.8mm) 等基本规格相同, 但两个系列有以下不同。

	HDR	HDRA
① Mating Position portion shape 嵌合部形状		
② Number of contacts 芯数	14, 26, 50	36, 68, 100
③ Compatible with standards 对应标准	Camera link (AIA)	SCSI-III (ANSI/SFF8441)

## Specification 规格

### HDRSeries HDR系列

Rated voltage 额定电压	AC 125V(r.m.s.)
Rated current 额定电流	0.5 A / Terminal 0.5A/端子
Insulated resistance 绝缘电阻	1,000 M-Ohm or more at DC 250 V 在DC 250V的条件下1000MΩ以上
Dielectric withstanding voltage 耐电压	AC 350V(r.m.s.)
Contact resistance 接触电阻	70 m-Ohm or less 70mΩ以下
Ambient temperature 使用温度范围	-40 degree-C to 70 degree-C -55 degree-C to 85 degree-C (without case) -40℃至70℃ -55℃至85℃ (无外壳时)



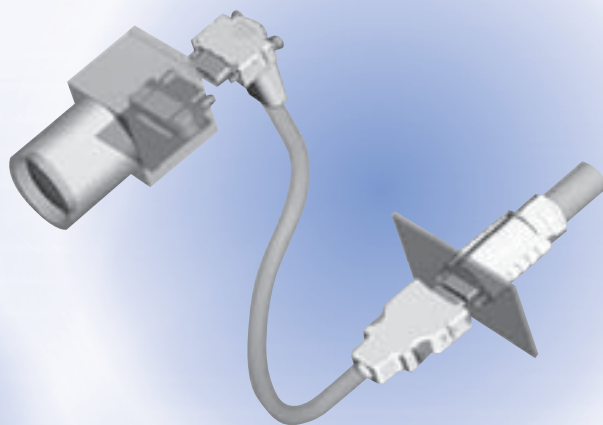
### HDRASeries HDRA系列

Rated voltage 额定电压	AC 30V(r.m.s.)
Rated current 额定电流	0.3 A / Terminal 0.3A/端子
Insulated resistance 绝缘电阻	500 M-Ohm or more at DC 100 V 在DC 100V的条件下500MΩ以上
Dielectric withstanding voltage 耐电压	AC 250V(r.m.s.)
Contact resistance 接触电阻	70 m-Ohm or less 70mΩ以下
Ambient temperature 使用温度范围	-40 degree-C to 70 degree-C -55 degree-C to 85 degree-C (without case) -40℃至70℃ -55℃至85℃ (无外壳时)

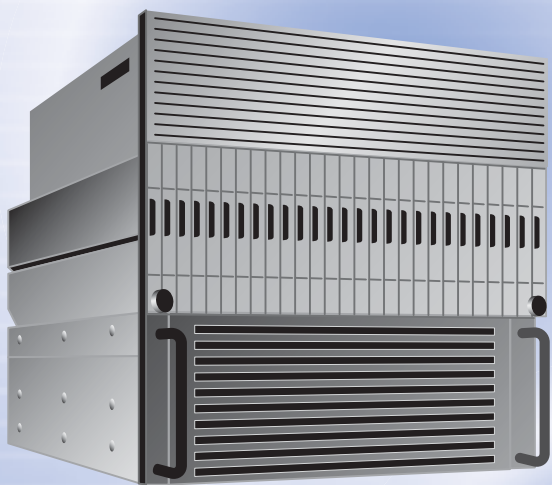


# Applications 各种应用

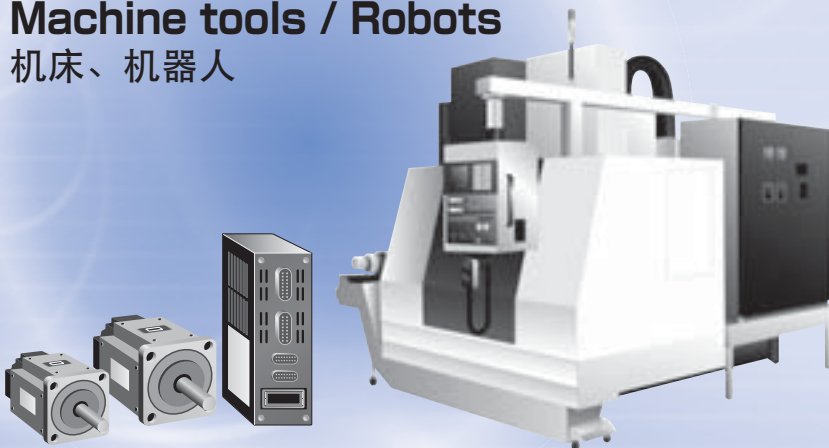
**Camera & image processing systems**  
摄像头与图像处理装置



**RAID / Communication devices**  
RAID、通信机器



**Machine tools / Robots**  
机床、机器人



Space saving 节约空间

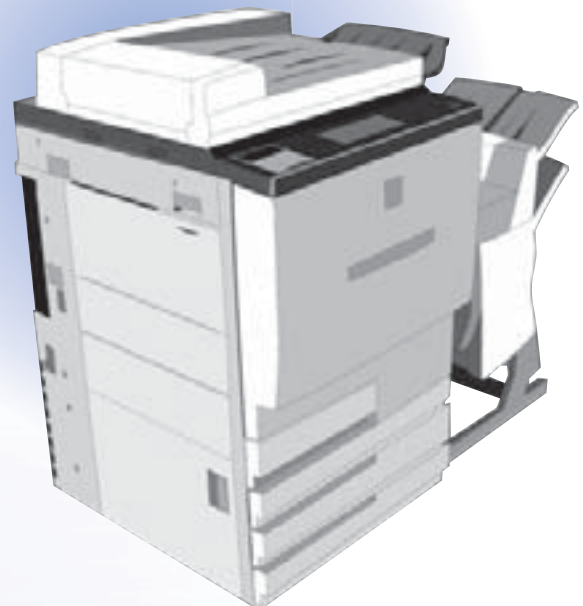
High design flexibility 设计自由度

High reliability 可靠性高

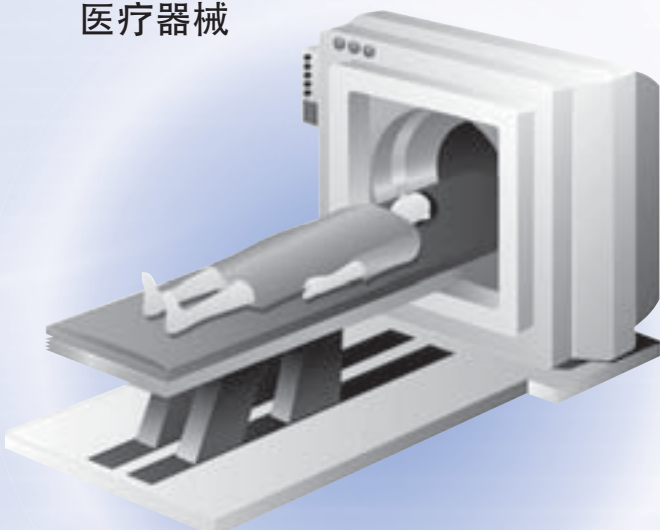
**Measuring devices**  
计测机器



**Office equipments**  
办公机器

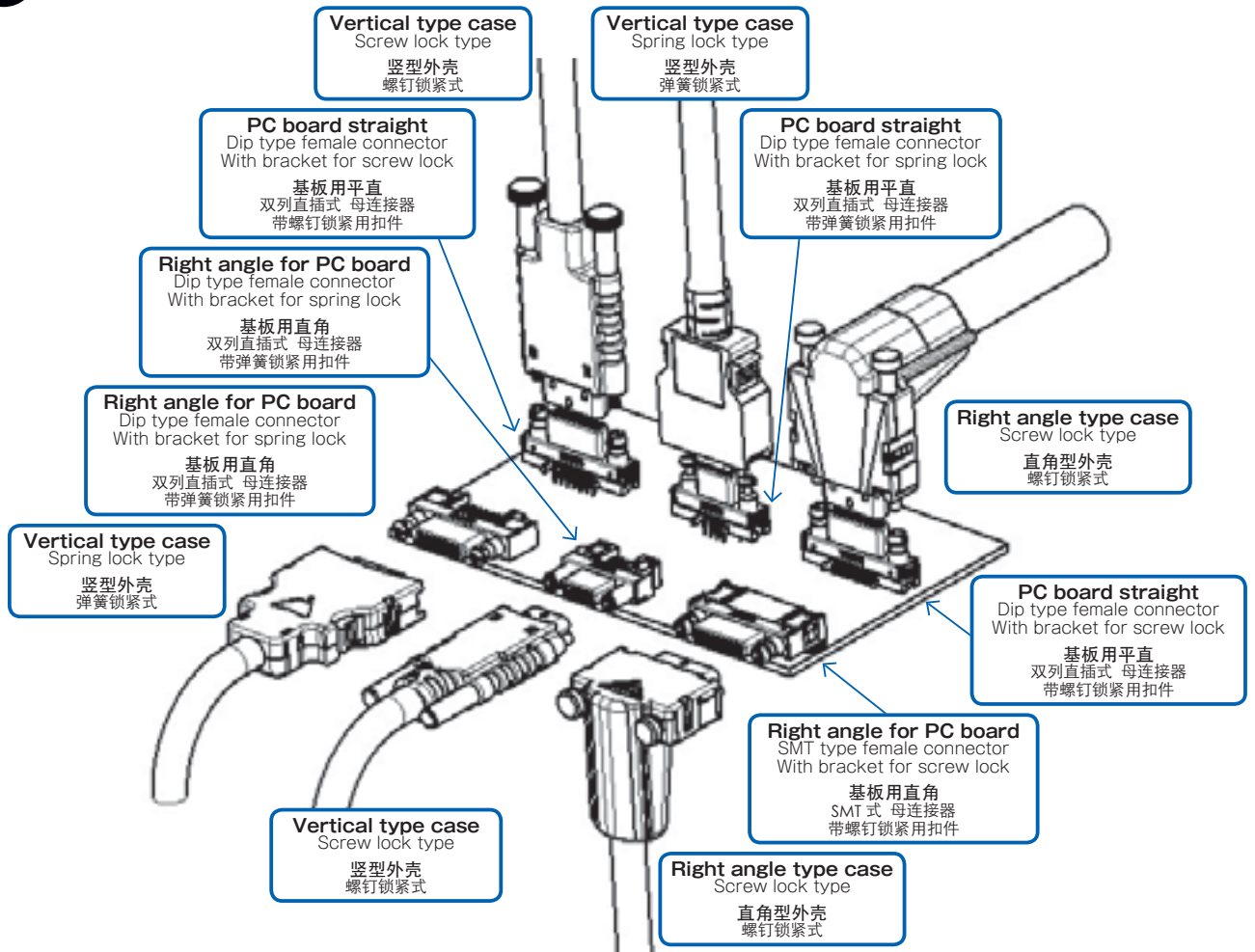


**Medical equipments**  
医疗器械



# Fulfill your plans!

## PC board to cable 基板与电缆的连接



## Cable to cable 电缆与电缆的连接



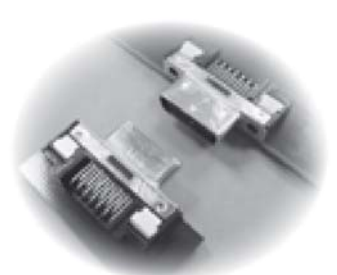
Screw lock type  
螺钉锁紧式



Spring lock type  
弹簧锁紧式



Vertical connection type  
垂平连接式



Horizontal connection type  
水平连接式

## For board to board 用于基板与基板的连接

# 满足您的方案！

**1** Direction of connector on PC board side?  
基板侧连接器的方向如何？

⇒ **Right angle or straight**  
直角或平直



**2** Mounting method of PC board side?  
基板侧安装方法如何？

⇒ **Dip or SMT**  
双列直插或 SMT



**3** Locking mechanism of PC board side?  
基板侧锁紧机构如何？

⇒ **Spring lock or screw lock**  
弹簧锁紧或螺钉锁紧



**4** Number of contacts in PC board side?  
基板侧芯数多少？

⇒ **14,26,36,50,68,100**



**5** Direction of cable side case?  
电缆侧外壳的方向如何？

⇒ **Right angle or straight**  
直角或平直



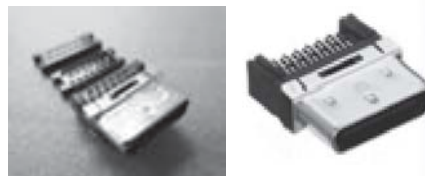
**6** Locking mechanism of cable side?  
电缆侧锁紧机构如何？

⇒ **Spring lock or screw lock**  
弹簧锁紧或螺钉锁紧



**7** Wire connection method of cable side connector?  
电缆侧连接器的接线方法如何？






⇒ **Insulation displacement or soldering**  
压接或锡焊





**8** Number of contacts in cable side?  
电缆侧芯数多少？

⇒ **14,26,36,50,68,100**



Type 种类	Direction 朝向	Mounting method 安装方法	Locking screw 有无锁紧螺钉	Number of contacts 芯数	Part No. 品号		
Female connector of PC board side 基板侧母连接器	Right angle 直角	Dip 双列直插 	None 无	14	HDR-EC14LFDTG2+		
				26	HDR-EC26LFDTG2+		
				50	HDR-EC50LFDTG2+		
				36	HDRA-EA36LFDT+		
				68	HDRA-EC68LFDT+		
				100	HDRA-EC100LFDT+		
		Spring lock 弹簧锁紧	14	HDR-EC14LFDTG2-SLE+			
			26	HDR-EC26LFDTG2-SLE+			
			36	HDRA-EA36LFDT-SLE+			
			14	HDR-EC14LFDTG2-SLD+			
			26	HDR-EC26LFDTG2-SLD+			
			68	HDRA-EC68LFDT-SLD+			
	SMT		None 无	14	HDR-EA14LFYPG1+		
				26	HDR-EA26LFYPG1+		
				14	HDR-EA14LFYPG1-SLE+		
				26	HDR-EA26LFYPG1-SLE+		
				14	HDR-EA14LFYPG1-SLD+		
				26	HDR-EA26LFYPG1-SLD+		
	Straight 平直	Dip 双列直插 	None 无	14	HDR-EC14FDTG2+		
				26	HDR-EC26FDTG2+		
				68	HDRA-EC68FDT+		
				100	HDRA-EC100FDT+		
				14	HDR-EC14FDTG2-SLE+		
				26	HDR-EC26FDTG2-SLE+		
Spring lock 弹簧锁紧		Screw lock 螺钉锁紧	14	HDR-EC14FDTG2-SLD+			
			26	HDR-EC26FDTG2-SLD+			
			68	HDRA-EC68FDT-SLD+			
			100	HDRA-EC100FDT-SLD+			
			SMT		None 无	14	HDR-EC14FYTG2+
						26	HDR-EC26FYTG2+
14	HDR-EC14FYTG2-SLE+						
26	HDR-EC26FYTG2-SLE+						
14	HDR-EC14FYTG2-SLD+						
26	HDR-EC26FYTG2-SLD+						
Male connector of PC board side 基板侧公连接器	Right angle 直角	SMT 	None 无	14	HDR-EA14LMYPG1+		
				26	HDR-EA26LMYPG1+		
				14	HDR-EA14LMYPG1-SLE+		
				26	HDR-EA26LMYPG1-SLE+		
				14	HDR-EA14LMYPG1-SLD+		
				26	HDR-EA26LMYPG1-SLD+		
	Dip 双列直插	None 无	26	HDR-EC26LMDTG1+			
			Spring lock 弹簧锁紧	26	HDR-EC26LMDTG1-SLE+		
			Screw lock 螺钉锁紧	26	HDR-EC26LMDTG1-SLD+		

Name 名称	Locking method 锁紧方法	Applicable series 对象系列	Panel thickness (mm) 面板厚度 (mm)	Part No. 品号
Lock screw 锁紧螺钉	Spring lock 弹簧锁紧 	HDR series only HDR系列专用	0	HDR-E14LMY-SL-02H
			1.2	HDR-E14LMY-SL-02FA
	Screw lock 螺钉锁紧 	HDR/HDRA series common HDR/HDRA系列兼用	0	HDRA-E68LFD-7C
			1.2	HDRA-E68LFD-7





Name 名称	Locking method 锁紧方法	Cable outlet direction 电缆引出方向	Number of contacts 芯数	Part No. 品号	Remarks 备注	
Case for cable 电缆用外壳	For spring lock 弹簧锁紧用	Straight 平直	14	HDR-E14LPAP5+	For use with connectors:IDC type connectors only 适合连接器: 仅限压接式	
			26	HDR-E26LPAP5+	For use with connectors:IDC type connectors only 适合连接器: 仅限压接式	
			26	HDR-E26LPJP+	For use with connectors:IDC type and soldering type 适合连接器: 压接式和锡焊式	
			50	HDR-E50LPAP5+	For use with connectors:IDC type connectors only 适合连接器: 仅限压接式	
			36	HDRA-E36LPTH	For use with connectors:IDC type connectors only 适合连接器: 仅限压接式	
	For screw lock 螺钉锁紧用	Straight 平直	14	HDR-E14LPHP+	For use with connectors:IDC type and soldering type 适合连接器: 压接式和锡焊式	
			26	HDR-E26LPMP+	For use with connectors:IDC type and soldering type 适合连接器: 压接式和锡焊式	
			26	HDR-E26LPKP+	For thick wire; For use with connectors:IDC type and soldering type 粗线用 适合连接器: 压接式和锡焊式	
			50	HDR-E50LPHP+	For use with connectors:IDC type and soldering type 适合连接器: 压接式和锡焊式	
			68	HDRA-E68LGKPA	For use with connectors:IDC type connectors only 适合连接器: 仅限压接式	
		Right angle 直角				
	For joint 中转用	Straight 平直	Straight 平直	14	HDR-E14LPHPB+	For screw lock; Panel thickness: 0.8 mm 螺钉锁紧用 面板厚度: 0.8mm
				14	HDR-E14LPHPC+	For screw lock; Without Panel 螺钉锁紧用 无面板
				14	HDR-E14LPHPD+	For spring lock; Without Panel 弹簧锁紧用 无面板
				26	HDR-E26LPHPB+	For screw lock; Panel thickness: 0.8 mm 螺钉锁紧用 面板厚度: 0.8mm
				26	HDR-E26LPHPC+	For screw lock; Without Panel 螺钉锁紧用 无面板
				26	HDR-E26LPHPD+	For spring lock; Without Panel 弹簧锁紧用 无面板
				26	HDR-E26LPKPB+	For thick wire; For screw lock; Panel thickness: 0.8 mm 粗线用 螺钉锁紧用 面板厚度: 0.8mm
26				HDR-E26LPKPC+	For thick wire; For screw lock; Without Panel 粗线用 螺钉锁紧用 无面板	
26				HDR-E26LPKPD+	For thick wire; For spring lock; Without Panel 粗线用 弹簧锁紧用 无面板	

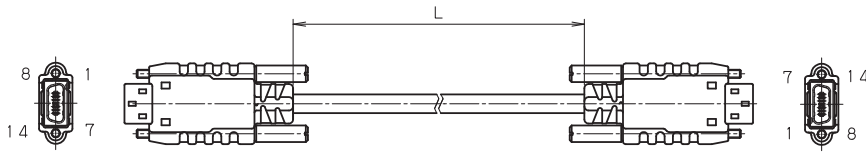


Name 名称	Wire connection method 接线方法	Shape 形状	Number of contacts 芯数	Part No. 品号	Remarks 备注
Connector for cable 电缆用连接器	Insulation displacement type 压接式	Male 公	14	HDR-E14MAG1+	Compatible cable: AWG#30 (7/0.1) External jacket diameter: 0.58 mm or less 适合电缆: AWG#30(7/0.1)外覆直径: 0.58mm以下
			26	HDR-E26MAG1+	
			50	HDR-E50MAG1+	
			36	HDRA-E36MA+	
			68	HDRA-E68MA+	
	Soldering type 锡焊式	Male 公	100	HDRA-E100MA1+	Compatible cable: AWG#28 (7/0.127) External jacket diameter: 1.0 mm or less 适合电缆: AWG#28(7/0.127)外覆直径: 1.0mm以下
			14	HDR-E14MSG1+	
			26	HDR-E26MSG1+	
	Insulation displacement type 压接式	Female 母	50	HDR-E50MSG1+	Compatible cable: AWG#30 (7/0.1) External jacket diameter: 0.58 mm or less 适合电缆: AWG#30(7/0.1)外覆直径: 0.58mm以下
			14	HDR-E14FAG1+	
Soldering type 锡焊式		Female 母	26	HDR-E26FAG1+	Compatible cable: AWG#28 (7/0.127) External jacket diameter: 1.0 mm or less 适合电缆: AWG#28(7/0.127)外覆直径: 1.0mm以下
			14	HDR-E14FSG1+	
26	HDR-E26FSG1+				

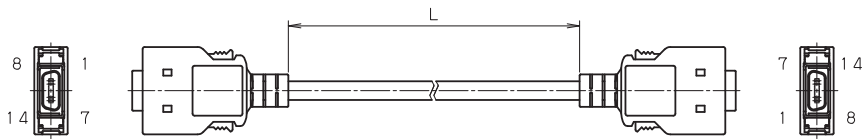
Name 名称	Wire connection method 接线方法	Lock screw 锁紧螺钉	Number of contacts 芯数	Part No. 品号	Remarks 备注
Connector for panel mount 面板座用连接器	Insulation displacement type 压接式	None 无	14	HDR-EC14PFAG1+	Compatible cable: AWG#30 (7/0.1) External jacket diameter: 0.58 mm or less 适合电缆: AWG#30(7/0.1)外覆直径: 0.58mm以下
			26	HDR-EC26PFAG1+	

## Cable assembly product 电缆装配件

14 contacts 14 芯

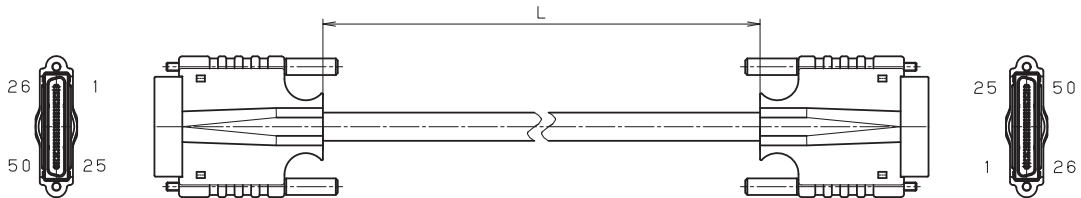


Cable length (m) 电缆长 (m)	Tolerance (mm) 公差 (mm)	Part No. 品号	Remarks 备注
1	±50	HDR-AS-0151-L100+	Connector:HDR-E14MAG1+ Case: HDR-E14LPHP+
3	±75	HDR-AS-0151-L300+	Cable:UL20276 7PX30AWG(7/0.1 )black 连接器 : HDR-E14MAG1+
5	±125	HDR-AS-0151-L500+	壳体 : HDR-E14LPHP+ 电缆 : UL20276 7PX30AWG (7/0.1 ) 黑色

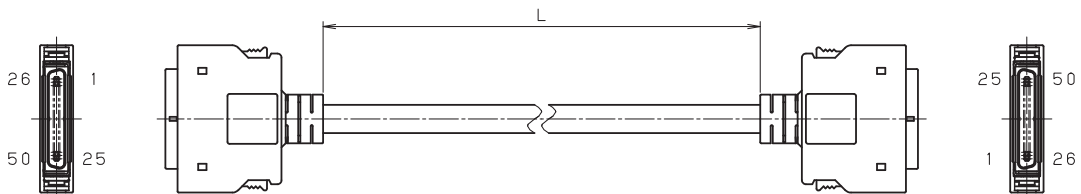


Cable length (m) 电缆长 (m)	Tolerance (mm) 公差 (mm)	Part No. 品号	Remarks 备注
1	±50	HDR-AS-0152-L100+	Connector:HDR-E14MAG1+ Case: HDR-E14LPAP5+
3	±75	HDR-AS-0152-L300+	Cable:UL20276 7PX30AWG(7/0.1 )black 连接器 : HDR-E14MAG1+
5	±125	HDR-AS-0152-L500+	壳体 : HDR-E14LPAP5+ 电缆 : UL20276 7PX30AWG (7/0.1 ) 黑色

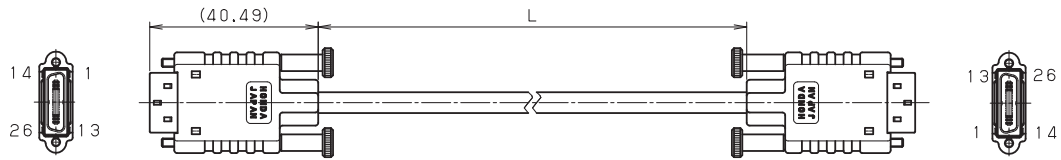
50 contacts 50 芯



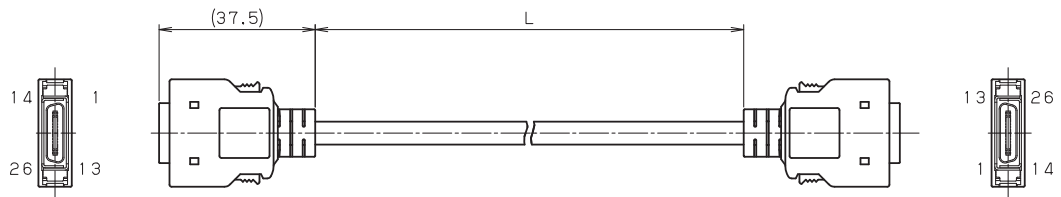
Cable length (m) 电缆长 (m)	Tolerance (mm) 公差 (mm)	Part No. 品号	Remarks 备注
1	±50	HDR-AS-0146-L100+	Connector:HDR-E50MAG1+ Case: HDR-E50LPHP+
3	±75	HDR-AS-0146-L300+	Cable:UL20276 25PX30AWG(7/0.1 )black 连接器 : HDR-E50MAG1+
5	±125	HDR-AS-0146-L500+	壳体 : HDR-E50LPHP+ 电缆 : UL20276 25PX30AWG (7/0.1 ) 黑色



Cable length (m) 电缆长 (m)	Tolerance (mm) 公差 (mm)	Part No. 品号	Remarks 备注
1	±50	HDR-AS-0147-L100+	Connector:HDR-E50MAG1+ Case: HDR-E50LPAP5+
3	±75	HDR-AS-0147-L300+	Cable:UL20276 25PX30AWG(7/0.1 )black 连接器 : HDR-E50MAG1+
5	±125	HDR-AS-0147-L500+	壳体 : HDR-E50LPAP5+ 电缆 : UL20276 50PX30AWG (7/0.1 ) 黑色



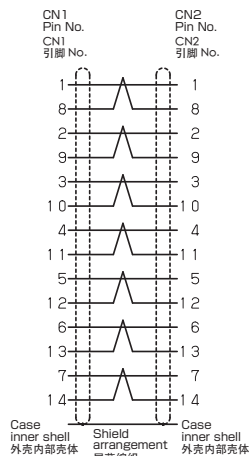
Cable length (m) 电缆长 (m)	Tolerance (mm) 公差 (mm)	Part No. 品号	Remarks 备注
1	±50	HDR-AS-0148-L100+	Connector:HDR-E26MAG1+ Case: HDR-E26LPHP+
3	±75	HDR-AS-0148-L300+	Cable:UL20276 13PX30AWG(7/0.1 )black 连接器: HDR-E26MAG1+
5	±125	HDR-AS-0148-L500+	壳体: HDR-E26LPHP+ 电缆: UL20276 13PX30AWG (7/0.1 ) 黑色



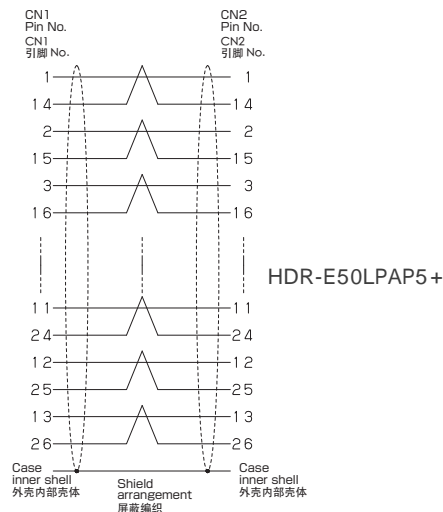
Cable length (m) 电缆长 (m)	Tolerance (mm) 公差 (mm)	Part No. 品号	Remarks 备注
1	±50	HDR-AS-0149-L100+	Connector:HDR-E26MAG1+ Case: HDR-E26LPAP5+
3	±75	HDR-AS-0149-L300+	Cable:UL20276 13PX30AWG(7/0.1 )black 连接器: HDR-E26MAG1+
5	±125	HDR-AS-0149-L500+	壳体: HDR-E26LPAP5+ 电缆: UL20276 13PX30AWG (7/0.1 ) 黑色

### <Wiring chart> <布线表>

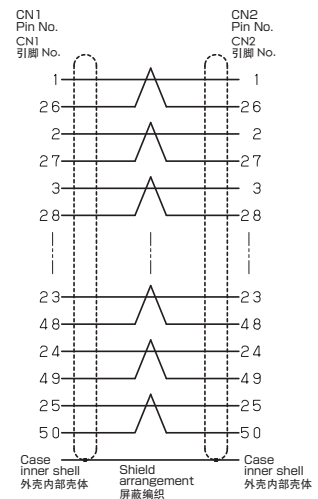
#### 14 contacts 14芯



#### 26 contacts 26芯



#### 50 contacts 50芯



Connect To The Next



### Caution 注意事项

- Minimum lot volume is set for each product for sales lot.
- Please be advised that contents of this catalog are subject to change without advanced notice for improvement, etc.
- Please contact distributors or our sales representative for details of products listed in this catalog.
- 各产品分别设有最小销售批次；
- 本产品目录所记载的内容可能因改良等而变更，恕不另行通知；
- 有关本产品目录所记载的产品详情，请咨询经销商或本公司。



- For details for products such as stocks, delivery and prices, please contact:
- 库存、交货期、价格等与产品相关的咨询

**本多通信工業株式会社**

<http://www.htk-jp.com>

Contents of this catalog are based on the information as of April, 2014.  
本产品目录所记载的内容为2014年4月时点的情况。