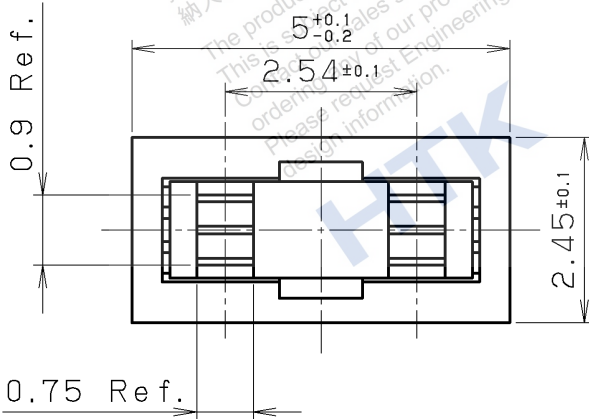
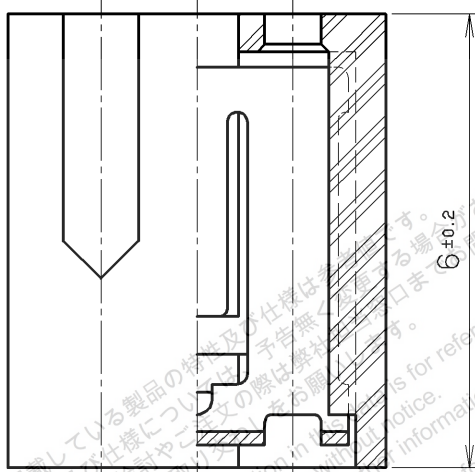


A-A' Section

Connector
insertion
direction



Note.

1. Mating connector

Connector P/N: FFC- () AMEP1
 FFC- () BMEP1
 FFC- () CM1
 FFC- () DM1

and others.

③									
②				2	Contact	Phosphor bronze	1	Gold plating	
①				1	Insulator	PBT (GF)	1		UL94V-0 Color: Milky White

LTR.	DATE	BY	REV.	DESCRIPT	No.	PART NAME	MATERIAL	QTY	FINISH	NOTE
------	------	----	------	----------	-----	-----------	----------	-----	--------	------

DATE Sep. 01. 2005		SCALE 10/1		UNIT mm (INCH)		3RD. A. P		HONDA TSUSHIN KOGYO CO., LTD.		
APP. DATE & REV.										
DR.	DE.	CHK.	CHK.	APP.	NAME		Jumper Connector			
H. SATO	H. SATO	T. SOGO	—	H. EBIHARA	PART NO.		Z-252 (DIC-252)			