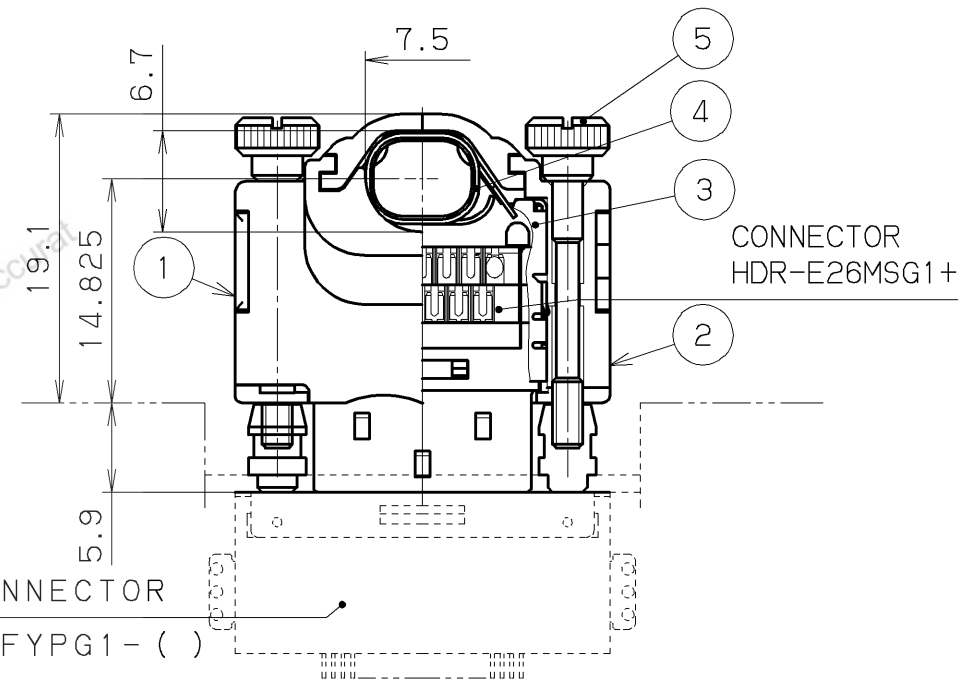


特許している商品の特性及び仕様は参考値です。変更する場合はお問い合わせのうえ、
 特性及び仕様については弊社担当窓口までお問い合わせください。
 採用のご検討やご注文の際は必ずご確認ください。
 納入仕様書の取り交わしは必ずお願いいたします。
 The product information in this data is for reference only.
 This is subject to change without notice.
 Contact our sales staff for further information before considering or
 ordering any of our products.
 Please request Engineering Drawing for the most current and accurate
 design information.



AFTER ASSEMBLY DRAWING

△					5	THUMB SCREW	STEEL	2	NICKEL PLATING	—
△					4	INNER SHELL A	STAINLESS STEEL	1	NICKEL PLATING	—
△					3	INNER SHELL B	STAINLESS STEEL	1	NICKEL PLATING	—
△					2	PLASTIC COVER B	PBT RESIN	1	—	UL94V-0 BLACK
△	2018	S. M	ADD DIMENSION		1	PLASTIC COVER A	PBT RESIN	1	—	UL94V-0 BLACK
LTR.	DATE	BY	REV.	DESCRIPT	No.	PART NAME	MATERIAL	QTY	FINISH	NOTE
DATE		SCALE		UNIT		3RD. A. P				
July.14.2017		2 / 1		mm (INCH)		HTK HONDA TSUSHIN KOGYO CO., LTD.				
APP. DATE&REV.						NAME		HDR-E TYPE CABLE COVER		
DR.	DE.	CHK.	CHK.	APP.	PART NO.		HDR-E26ALPAP+			REV.
S. MURAKAMI	S. MURAKAMI	S. YOSHIDA	—	Y. KATO						