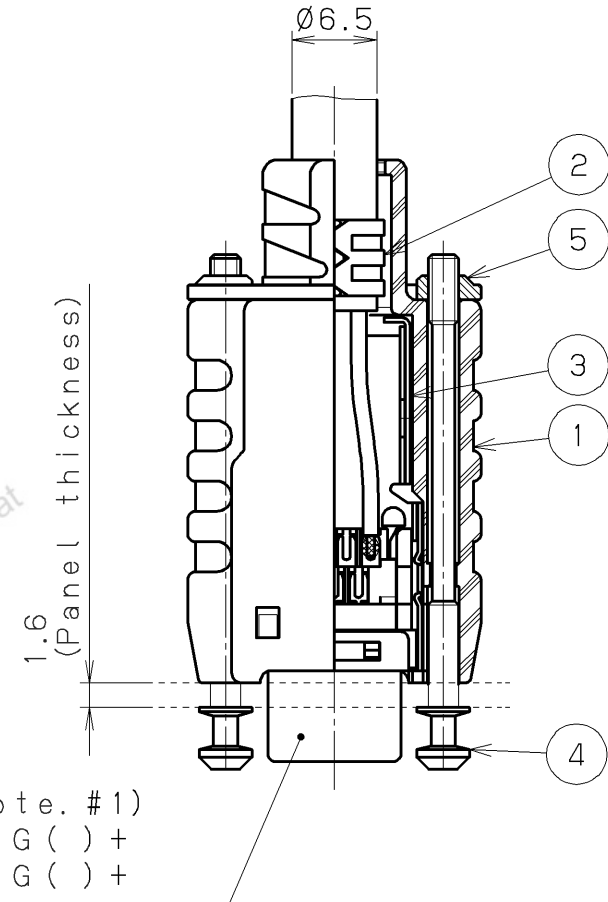
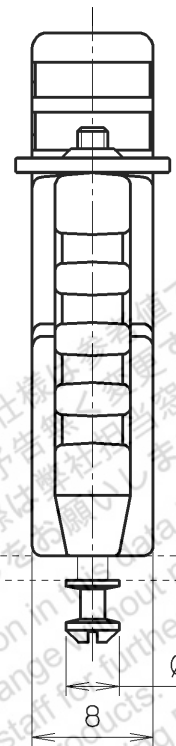


Recommended panel cut-out dimensions



Connector (Note. #1)  
HDR-E14F ( ) G ( ) +  
HDR-E14M ( ) G ( ) +

After assembly drawing

掲載している商品の特性及び仕様については、予告なく変更される場合があります。特性及び仕様のご検討やご注文の際は必ず弊社窓口までお問い合わせのうえ、納入仕様書の取り交わしをお願いします。  
The product information in this drawing is for reference only. This is subject to change without notice. Contact our sales staff for further information before considering or ordering any of our products. Please request Engineering Drawing for the most current and accurate design information.

Note

1. Connector is not included in P/N: HDR-E14LPHPA+.
2. This drawing shows assembled for reference. Each parts are supplied unassembled.

LTR.	DATE	BY	REV.	DESCRIPT	No.	PART NAME	MATERIAL	QTY	FINISH	NOTE
					5	Plate (For lock screw)	Steel	1	Nickel plating	t=1.0 M2X0.4
					4	Lock screw	Steel	2	Nickel plating	
					3	Inner shell B	Stainless steel	1	Nickel plating	
					2	Inner shell A	Stainless steel	1	Nickel plating	
					1	Plastic cover	PBT RESIN	1		UL94V-0 Black
DATE						SCALE	UNIT	3RD. A. P		
July.25.2017						2/1	mm (INCH)			
APP. DATE&REV.										
DR.	DE.	CHK.	CHK.	APP.	NAME		HDR-E type cable cover (RoHS)			
S. MURAKAMI	S. MURAKAMI	S. YOSHIDA	—	Y. KATO	PART NO.		HDR-E14LPHPA+			
					REV.					