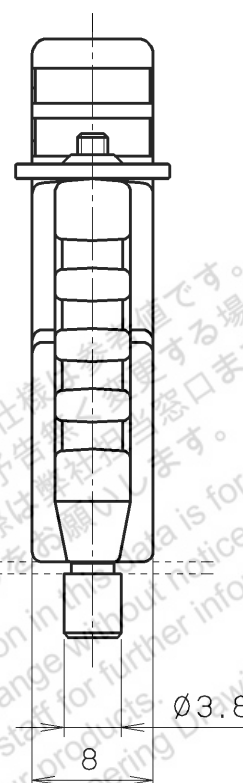
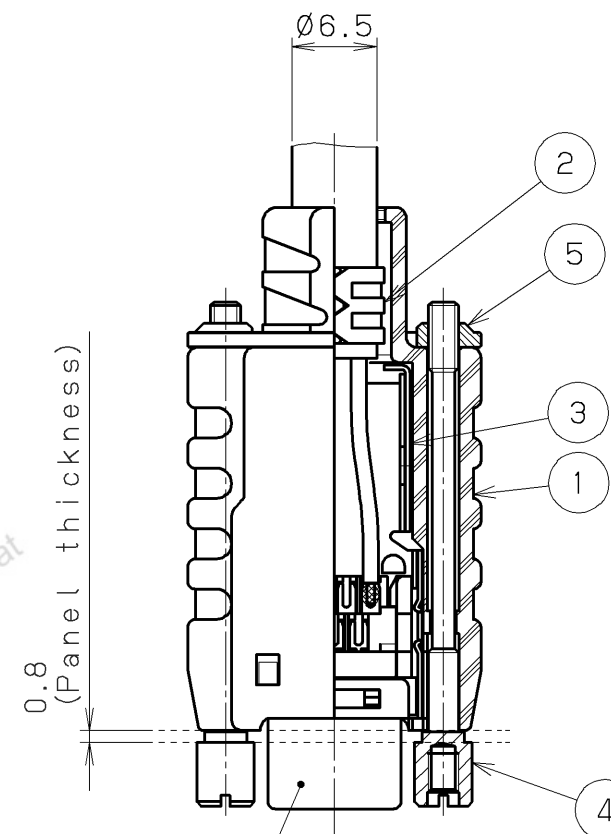


Recommended panel cut-out dimensions



Connector (Note. #1)
 HDR-E14F () G () +
 HDR-E14M () G () +



After assembly drawing

Note

1. Connector is not included in P/N: HDR-E14LPHPB+.
2. This drawing shows assembled for reference. Each parts are supplied unassembled.

LTR.	DATE	BY	REV.	DESCRIPT	No.	PART NAME	MATERIAL	QTY	FINISH	NOTE
					5	Plate (For lock screw)	Steel	1	Nickel plating	t=1.0 M2X0.4
					4	Lock screw	Stainless steel	2		
					3	Inner shell B	Stainless steel	1	Nickel plating	
					2	Inner shell A	Stainless steel	1	Nickel plating	
					1	Plastic cover	PBT RESIN	1		UL94V-0 Black
DATE						SCALE	UNIT	3RD. A. P		
July.25.2017						2/1	mm (INCH)			
APP. DATE&REV.										
DR.	DE.	CHK.	CHK.	APP.	NAME		HDR-E type cable cover (RoHS)			
S. MURAKAMI	S. MURAKAMI	S. YOSHIDA	—	Y. KATO	PART NO.		HDR-E14LPHPB+ REV.			