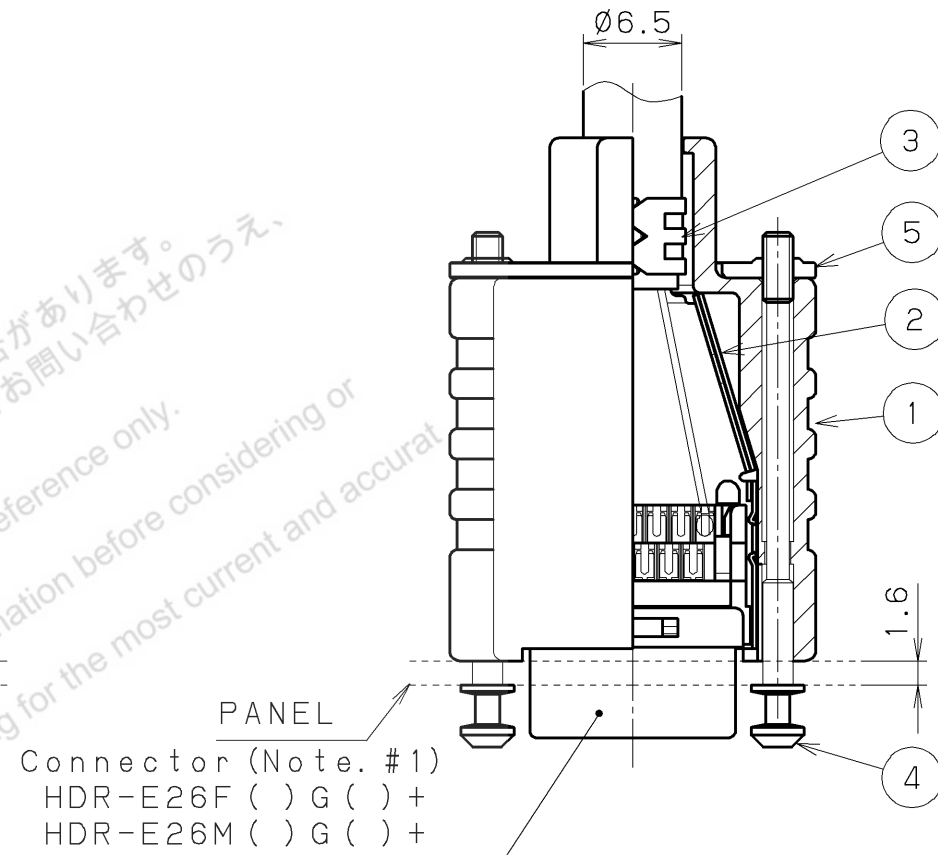
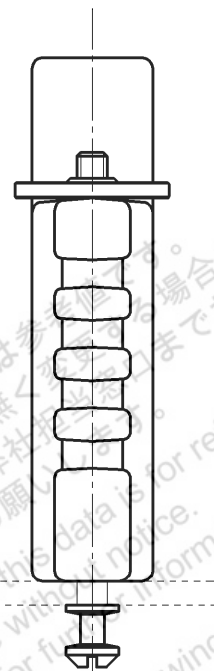
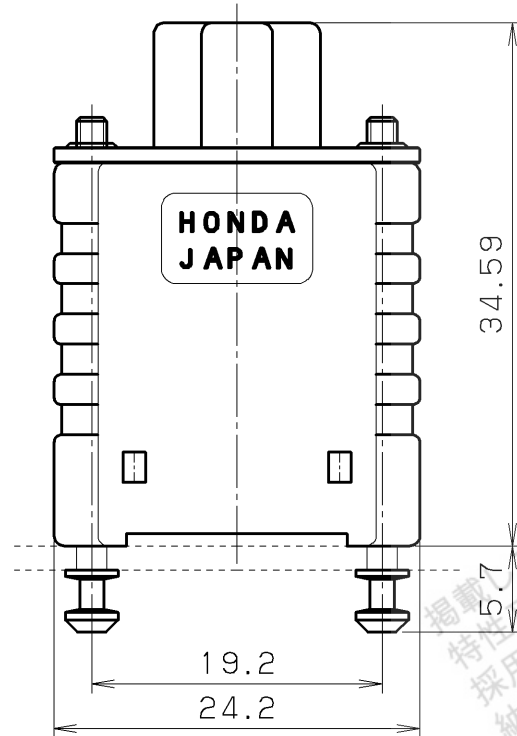
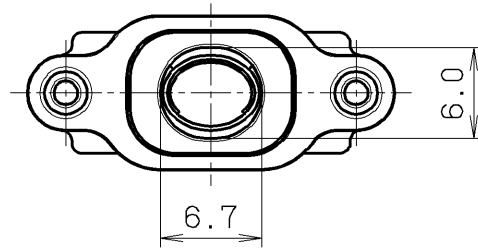


RoHS compliant

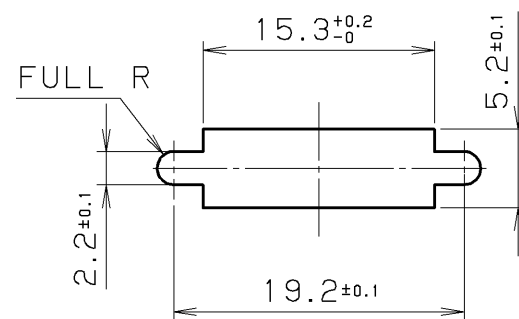
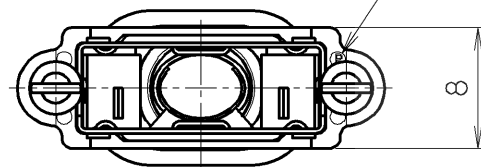


Connector (Note. #1)
HDR-E26F () G () +
HDR-E26M () G () +

AFTER ASSEMBLY DRAWING

掲載している商品の特性及び仕様は参考情報です。予告無く仕様変更する場合があります。特許及び仕様については、予告無く弊社特許権を侵害する場合があります。採用のご検討やご注文の際は弊社特許権までお問い合わせのうえ、納入仕様書の取り交わしをお願いします。
The product information in this data is for reference only. This is subject to change without notice. Contact our sales staff for further information before considering or ordering any of our products. Please request Engineering Drawing for the most current and accurate design information.

Identification mark



Recommended panel cut-out dimensions

Note

1. Connector is not included in P/N: HDR-E26LPHPA+.
2. This drawing shows assembled for reference. Each parts are supplied unassembled.

LTR.	DATE	BY	REV.	DESCRIPT	No.	PART NAME	MATERIAL	QTY	FINISH	NOTE
					5	PLATE (FOR LOCK SCREW)	STEEL	1	NICKEL PLATING	$t=1.0$ $M2 \times 0.4$
					4	LOCK SCREW	STEEL	2	NICKEL PLATING	—
					3	INNER SHELL A	STAINLESS STEEL	1	NICKEL PLATING	—
					2	INNER SHELL B	STAINLESS STEEL	1	NICKEL PLATING	—
	Jan.19 2018	S. M	Revise		1	PLASTIC COVER	PBT RESIN	1	—	UL94V-0 BLACK

DATE	SCALE	UNIT	3RD. A. P	HTK HONDA TSUSHIN KOGYO CO., LTD.	
July.12.2017	2 / 1	mm (INCH)		NAME	HDR-E TYPE CABLE COVER (RoHS)
APP. DATE&REV.				PART NO.	HDR-E26LPHPA+
DR.	DE.	CHK.	CHK.	APP.	REV.
S. MURAKAMI	S. MURAKAMI	S. YOSHIDA	—	Y. KATO	