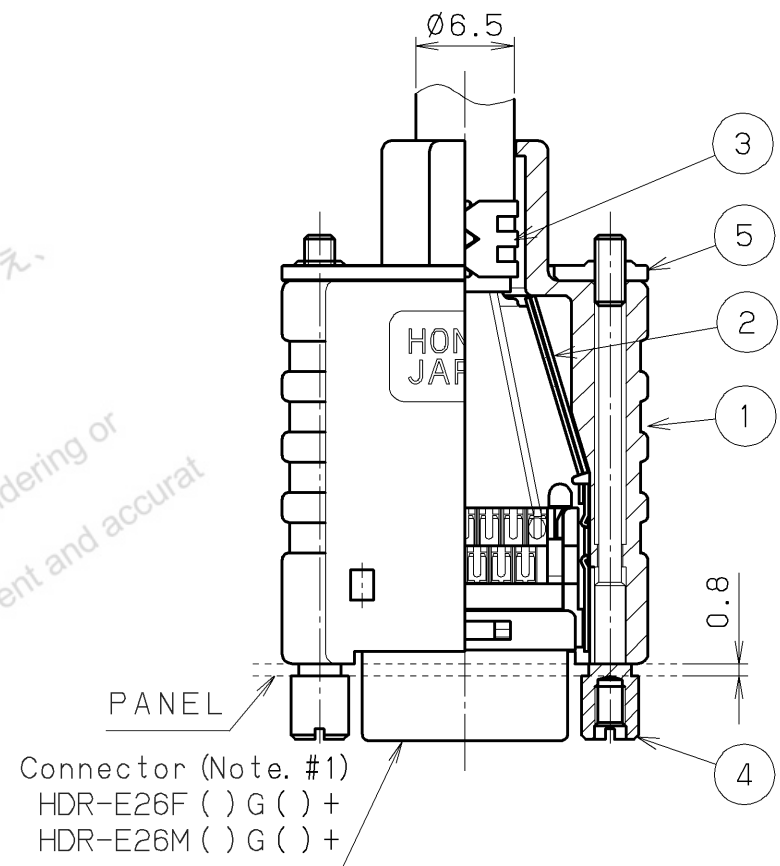
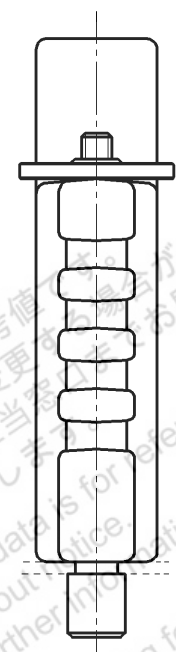


RECOMMENDED  
PANEL CUT-OUT DIMENSIONS



AFTER ASSEMBLY DRAWING

商品の特性及び仕様は参考値として、予告なく変更されることがあります。お問い合わせの際は弊社担当営業員にお問い合せのうえ、採用のご検討やご注文の際は弊社担当営業員にお問い合せのうえ、納入仕様書の取り交わしをお願いいたします。 This information is subject to change without notice. Please request engineering drawing for the most current and accurate design information. Contact our sales staff for further information before considering or ordering any of our products.

HTK

					5	Plate For lock screw	Steel	1	Nickel plating	t=1 M2x0.4	
					4	Lock screw	Stainless steel	2			
					3	Inner shell A	Stainless steel	1	Nickel plating		
					2	Inner shell B	Stainless steel	1	Nickel plating		
					1	Plastic cover	PBT Resin	1		UL94V-0 Black	
△											
△											
△	JUL.22 2015	K. O		Change corporate mark Add Identification mark							
LTR.	DATE	BY	REV.	DESCRIPT	No.	PART NAME	MATERIAL	QTY	FINISH	NOTE	
	DATE		SCALE	UNIT	3RD. A. P	<b>HTK</b> HONDA TSUSHIN KOGYO CO., LTD.					
	JUL.2.2015		2 / 1	mm (INCH)		NAME HDR-E type cable cover (RoHS)					
	APP. DATE&REV.						PART NO. HDR-E26LPHPB+				
	DR.	DE.	CHK.	CHK.	APP.	REV. 1 A					
	K. OOKU	K. OOKU	S. WATANABE	—	Y. KATO						