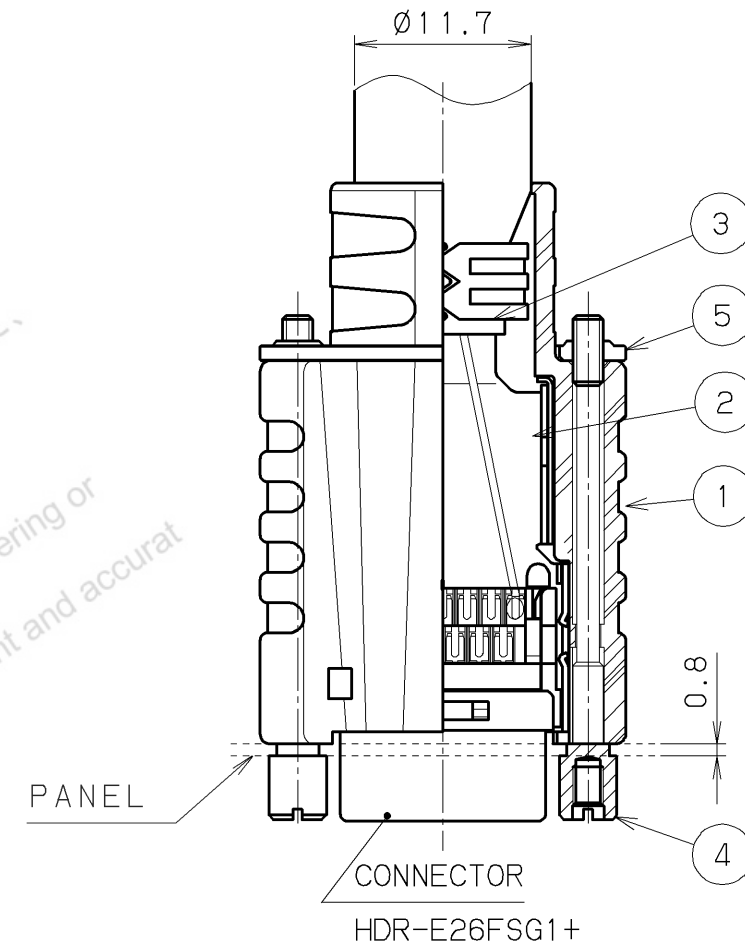
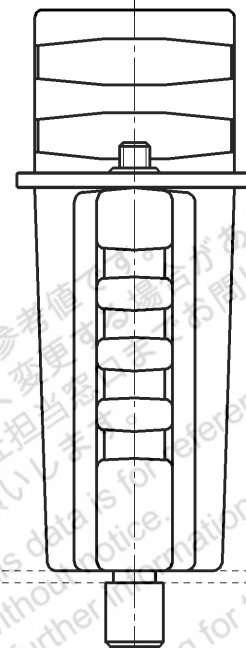


RECOMMENDED  
PANEL CUT-OUT DIMENSIONS



HDR-E26FSG1+  
AFTER ASSEMBLY DRAWING

The product information in this data is for reference only.  
 This is subject to change without notice.  
 Please request Engineering Drawing for the most current and accurate design information.  
 商品の特性及び仕様は参考情報です。  
 予告なく変更される場合があります。  
 採入仕様書の取り交わしをお願いいたします。  
 最新かつ正確な設計情報をご提供いたします。

HTK

LTR.	DATE	BY	REV.	DESCRIPT	No.	PART NAME	MATERIAL	QTY	FINISH	NOTE
					5	PLATE (FOR LOCK SCREW)	STAINLESS STEEL	1	—	t=1.0 M2X0.4
					4	LOCK SCREW	STAINLESS STEEL	2	—	—
					3	INNER SHELL A	STAINLESS STEEL	1	NICKEL PLATING	—
					2	INNER SHELL B	STAINLESS STEEL	1	NICKEL PLATING	—
					1	PLASTIC COVER	PBT RESIN	1	—	UL94V-0 BLACK

DATE	SCALE	UNIT	3RD. A. P	HTK HONDA TSUSHIN KOGYO CO., LTD.	
July.14.2017	2 / 1	mm (INCH)		NAME	HDR-E TYPE CABLE COVER (RoHS)
APP. DATE&REV.				PART NO.	HDR-E26LPKP+
DR.	DE.	CHK.	CHK.	APP.	REV.
S. MURAKAMI	S. MURAKAMI	S. YOSHIDA	—	Y. KATO	