

PART NO.
(CODE ADDRESS)

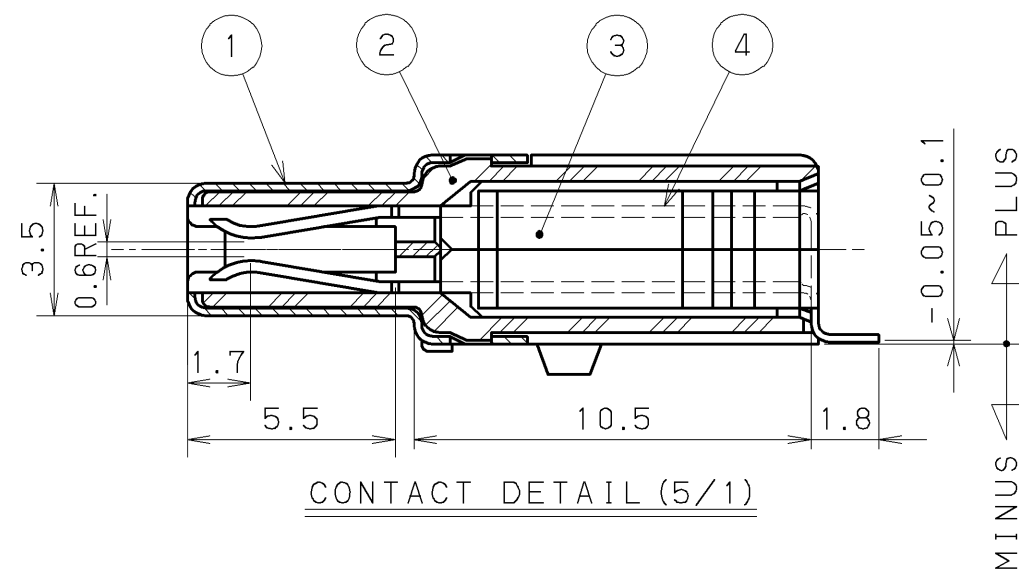
NOTE

1. SPECIFICATION

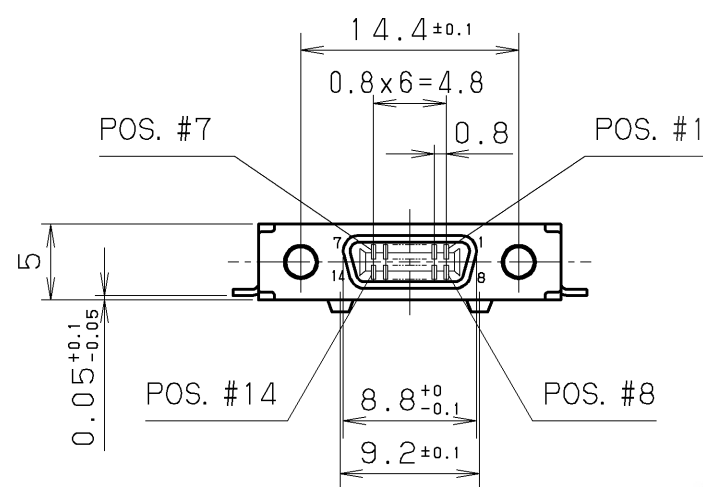
RATED CURRENT: 0.5A (PEAK TO PEAK 1A) / 1 CONTACT
VOLTAGE: 125V AC (r. m. s.)

2. CONTACT PLATING

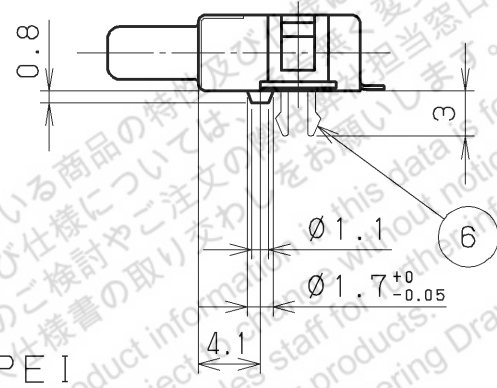
0.76μm MIN. GOLD ON MATING AREA,
0.05μm GOLD ON TERMINATION AREA,
ALL OVER 1.5μm MIN. NICKEL UNDERPLATED.



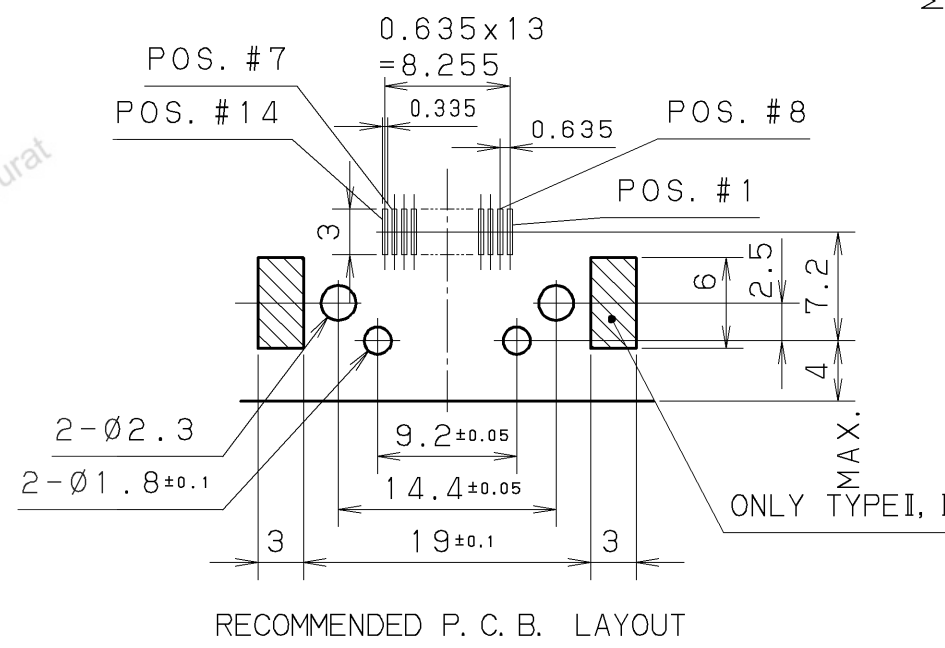
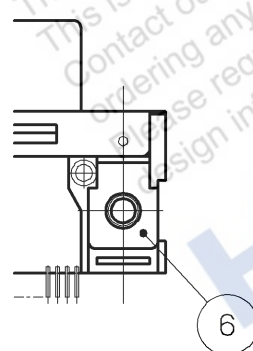
CONTACT DETAIL (5/1)



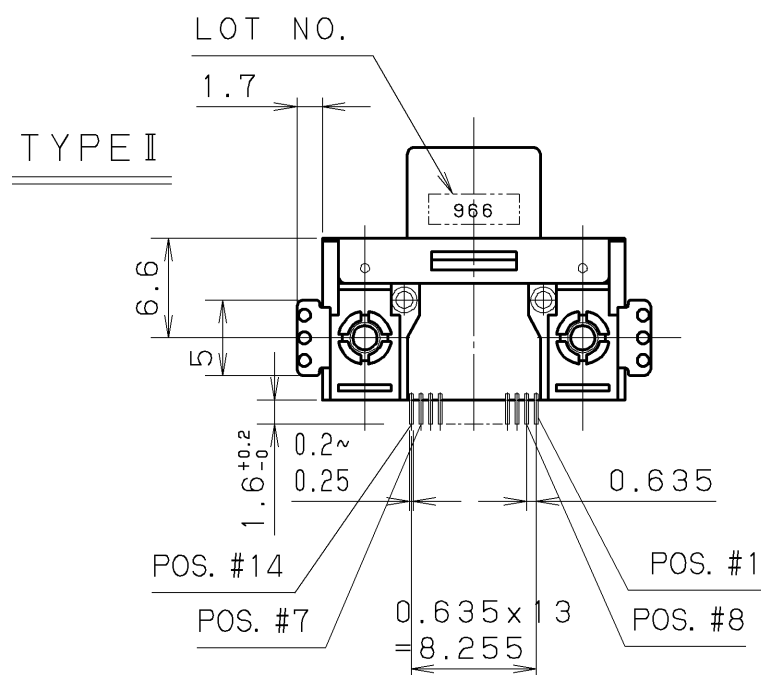
TYPE III



TYPE I



RECOMMENDED P. C. B. LAYOUT



TYPE II

LOT NO.

PART NO.	MOUNTING STRUCTURE	QTY. OF HEX. NUT	P. C. B THICKNESS
HDR-EA14LFYG1+	TYPE I (SCREW)	2	1.0
HDR-EA14LFYPG1+	TYPE II (SCREW+HOLD DOWN)	2	1.0
HDR-EA14LFYWG1+	TYPE III (LOCK PIN+HOLD DOWN)	—	1.6

7	SQR. NUT	BRASS	2	NICKEL	M2x0.4
6	EARTH PLATE	PHOSPHOR BRONZE	2	NICKEL	—
5	HEX. NUT	STEEL	2	NICKEL	M2x0.4
4	CONTACT	PHOSPHOR BRONZE	14	NOTE#2	—
3	INSULATOR B	PPS (GF)	1	—	UL94V-0 BLACK COLOR
2	INSULATOR A	PPS (GF)	1	—	UL94V-0 BLACK COLOR
1	SHELL	STEEL	1	NICKEL	—

LTR.	DATE	BY	REV.	DESCRIPT	No.	PART NAME	MATERIAL	QTY	FINISH	NOTE
	Mar. 29. 2004		2/1							
DATE						SCALE	UNIT	3RD. A. P		
APP. DATE&REV.						HONDA TSUSHIN KOGYO CO., LTD.				
DR.	DE.	CHK.	CHK.	APP.	NAME		0.8mm SPACING 14POS. RIGHTANGLE FEMALE CONNECTOR			
Y. KATO	Y. KATO	—	C. NUNOKAWA	H. EBIHARA	PART NO.	HDR-EA14LFY () G1+			REV.	