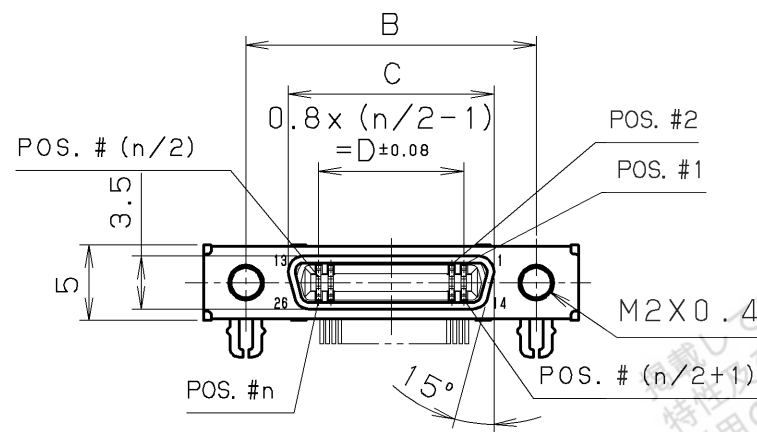
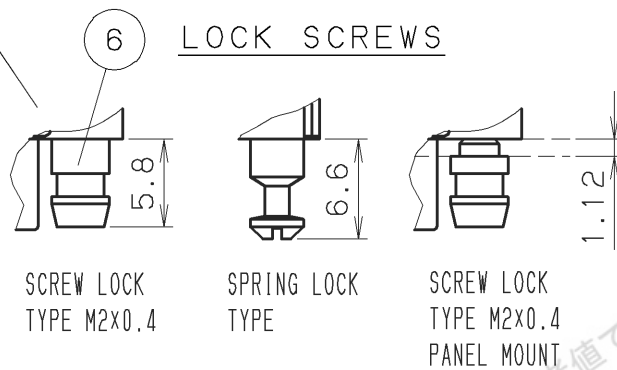
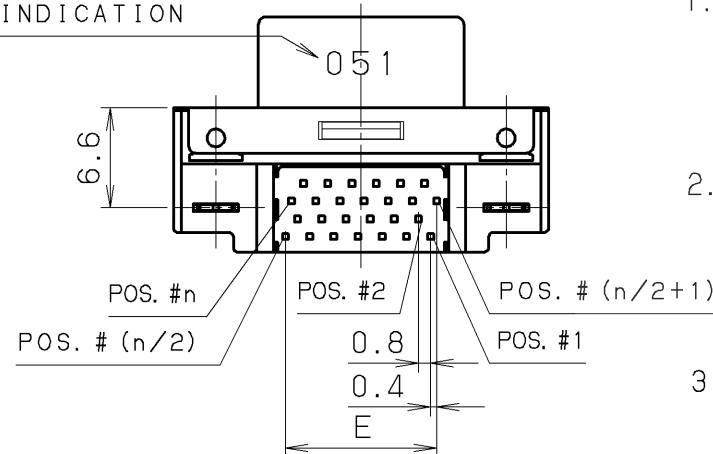


PART No.	TYPE	NOTE
HDR-EC () LFDT+	—	—
HDR-EC () LFDT-SLD+	SCREW LOCK TYPE	—
HDR-EC () LFDT-SLE+	SPRING LOCK TYPE	—
HDR-EC () LFDT-SLG+	SCREW LOCK (PANEL MOUNT)	SEE NOTE. #4



DATE CODE INDICATION



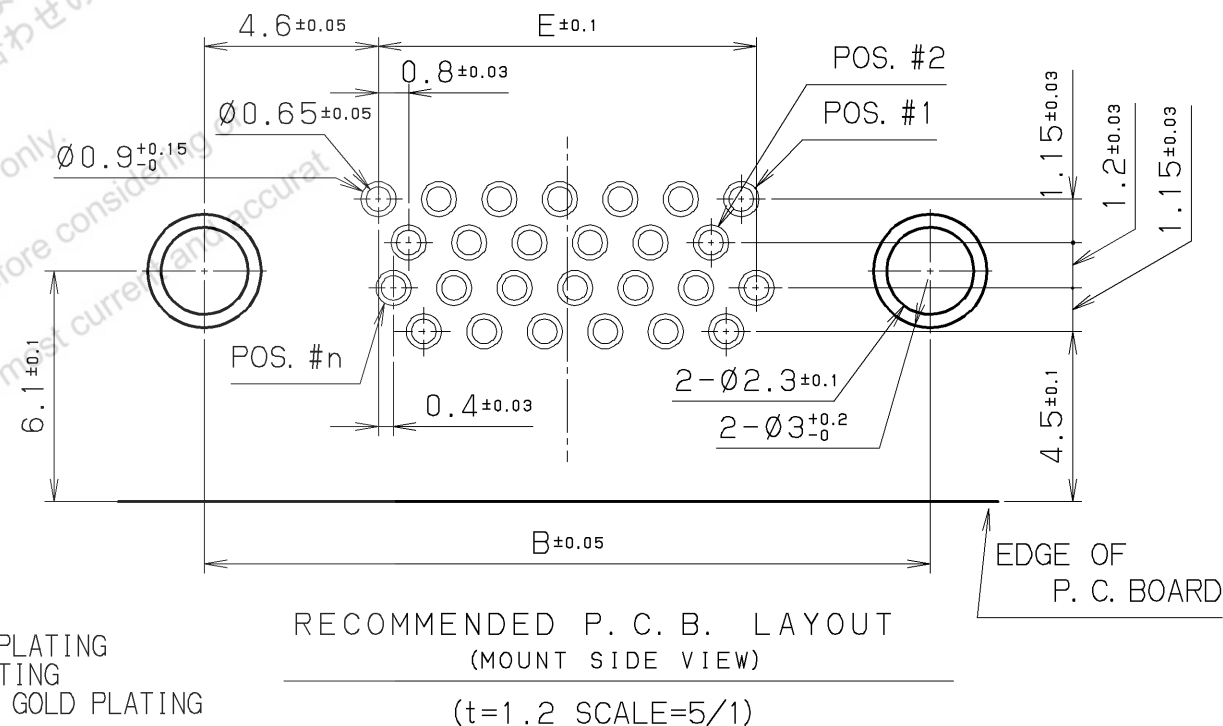
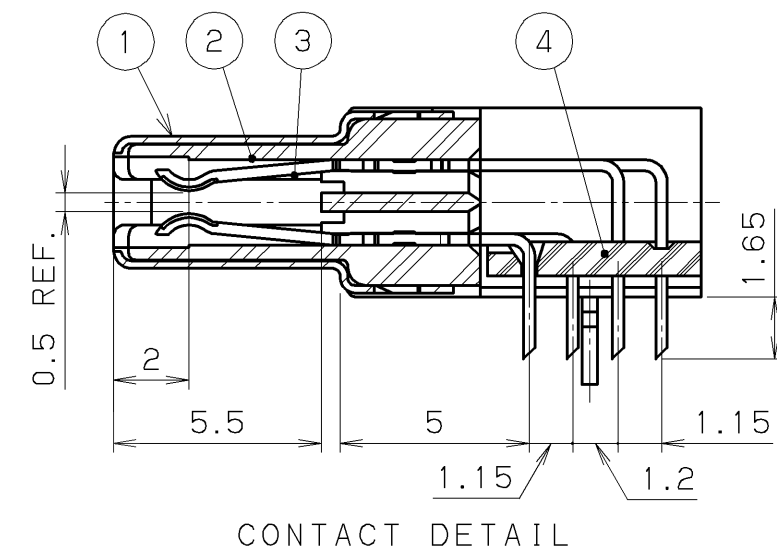
NOTE
 1. CONTACT PLATING
 MATING AREA: 0.1 MICRO METERS MINIMUM GOLD PLATING
 OVER PALLADIUM/NICKEL 0.5 MICRO METERS PLATING
 TERMINATION AREA: 0.05 MICRO METERS MINIMUM GOLD PLATING

UNDERPLATING: NICKEL PLATING

2. MATING CONNECTOR
 HDR-E () MAG1+

3. SPECIFICATION
 RATED CURRENT 0.5A
 RATED VOLTAGE 125V AC (r. m. s.)

4. TWO LOCK SCREWS ARE
 SUPPLIED WITH A CONNECTOR.



RECOMMENDED P.C.B. LAYOUT
 (MOUNT SIDE VIEW)
 (t=1.2 SCALE=5/1)

6	LOCK SCREW	STEEL	2	NICKEL	—
5	BOARD LOCK	PHOSPHOR BRONZE	2	TIN	—
4	BRACKET	PPS (GF)	1	—	UL94V-0 BLACK
3	FEMALE CONTACT	PHOSPHOR BRONZE	n	NOTE. #1	—
2	INSULATOR	PA9T (GF)	1	—	UL94V-0 BLACK
1	SHELL	STEEL	1	NICKEL	—

LTR.	DATE	BY	REV.	DESCRIPT	No.	PART NAME	MATERIAL	QTY	FINISH	NOTE
△										
△										
△										
DATE						SCALE	UNIT	3RD. A. P		
Jan.20.2005						2 / 1	mm (INCH)	HONDA TSUSHIN KOGYO CO., LTD.		
APP. DATE&REV.						DR.	DE.	CHK.	CHK.	APP.
						Y. KATO	Y. KATO	—	C. NUNOKAWA	H. EBIHARA
						NAME		0.8mm SPACING RIGHTANGLE FEMALE CONNECTOR		
						PART NO.		HDR-EC () LFDT- () +		
								REV.		

PART NO.	n (NO. OF POS.)	A	B	C	D	E
HDR-EC50LFDT- () +	50	34.4	28.8	23.2	0.8x24=19.2	19.6
HDR-EC26LFDT- () +	26	24.8	19.2	13.6	0.8x12=9.6	10
HDR-EC14LFDT- () +	14	20	14.4	8.8	0.8x6=4.8	5.2
DIMENSIONS						