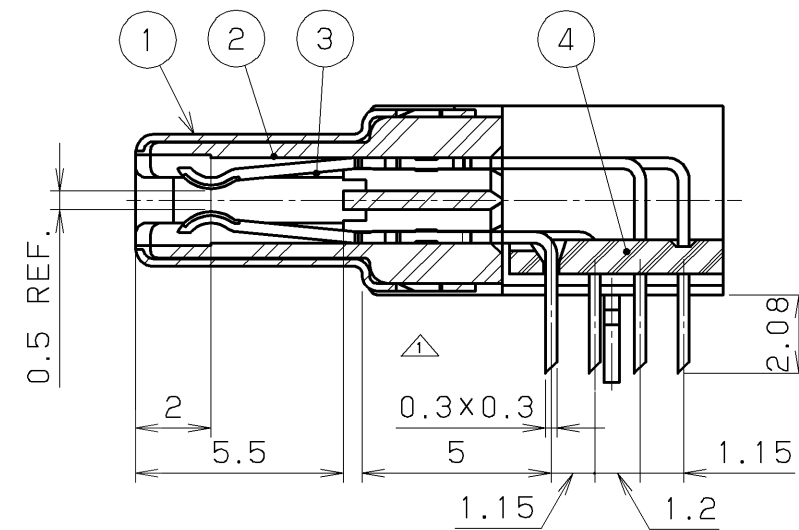
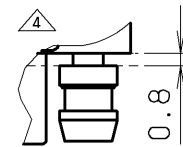
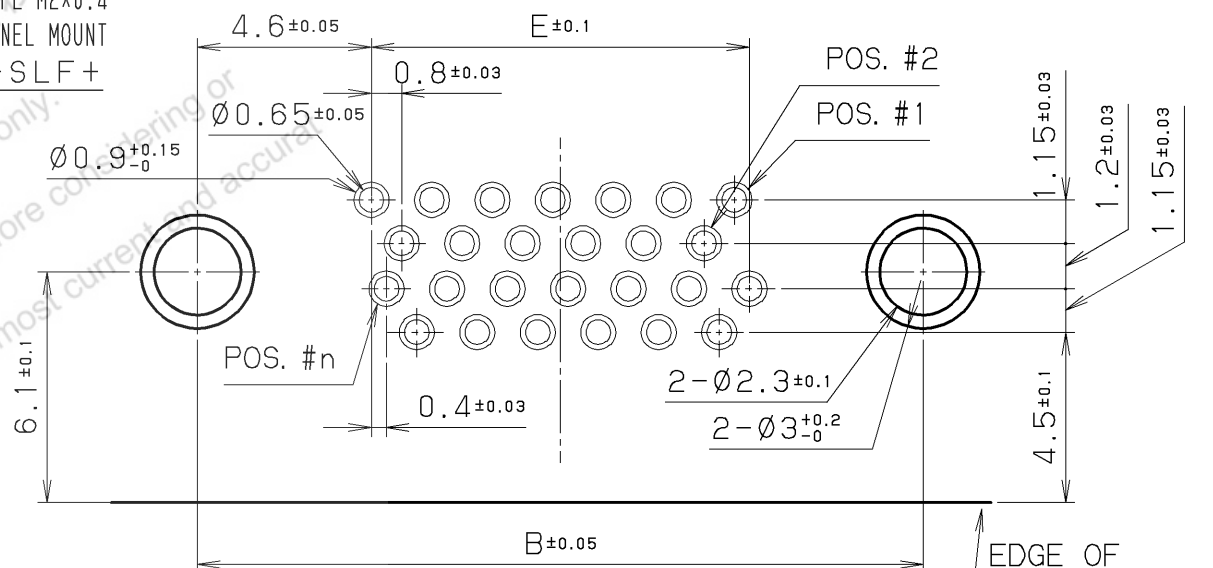
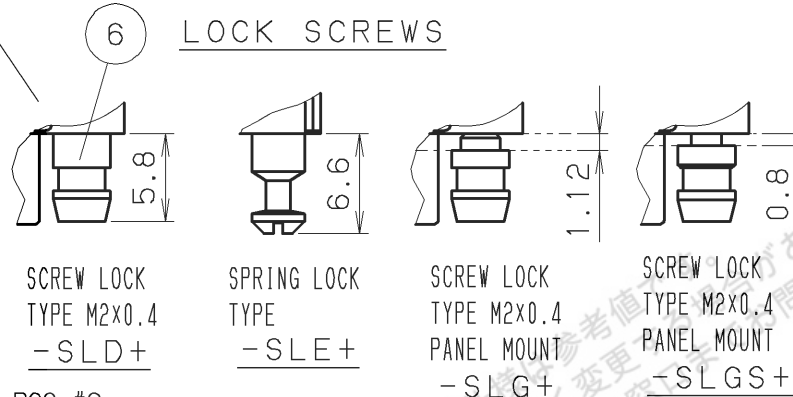
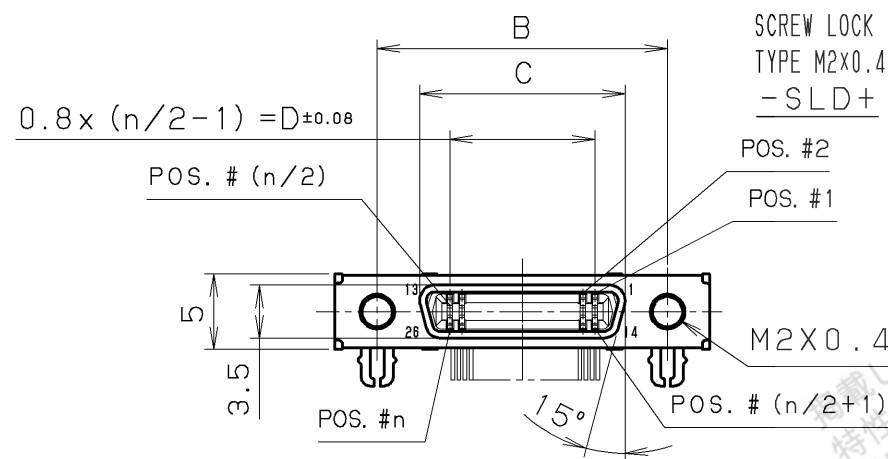


PART No.	TYPE	NOTE
HDR-EC ( ) LFDT1+		
HDR-EC ( ) LFDT1-SLD+	SCREW LOCK TYPE	
HDR-EC ( ) LFDT1-SLE+	SPRING LOCK TYPE	
HDR-EC ( ) LFDT1-SLG+	SCREW LOCK (PANEL MOUNT)	SEE NOTE. #4
HDR-EC ( ) LFDT1-SLGS+	SCREW LOCK (PANEL MOUNT)	SEE NOTE. #4 AND #5
HDR-EC ( ) LFDT1-SLF+	SCREW LOCK (PANEL MOUNT)	SEE NOTE. #4
HDR-EC ( ) LFDT1-SLM+	SCREW LOCK (PANEL MOUNT)	SEE NOTE. #4



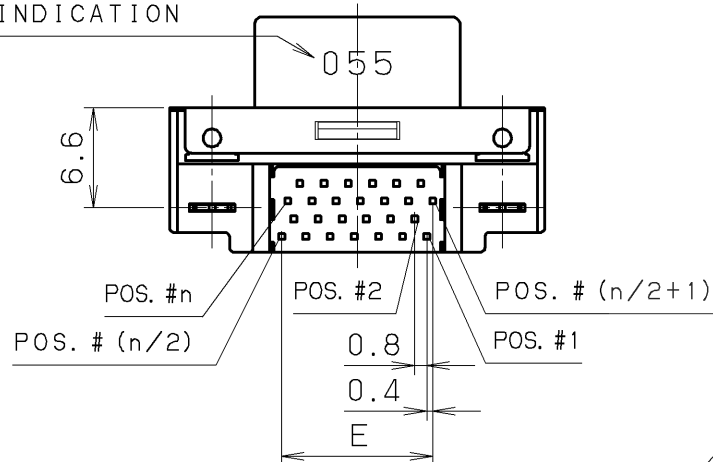
CONTACT DETAIL



RECOMMENDED P.C.B. LAYOUT (MOUNT SIDE VIEW)

(t=1.6 SCALE=5/1)

DATE CODE INDICATION



NOTE

1. CONTACT PLATING  
MATING AREA: 0.1 MICROMETERS MINIMUM GOLD PLATING  
OVER PALLADIUM/NICKEL 0.5 MICROMETERS PLATING  
TERMINATION AREA: GOLD FLASH

UNDERPLATING: NICKEL PLATING

2. MATING CONNECTOR  
HDR-E ( ) MAG1+

3. SPECIFICATION  
RATED CURRENT 0.5A  
RATED VOLTAGE 125V AC (r. m. s.)

4. TWO LOCK SCREWS ARE SUPPLIED WITH A CONNECTOR.

5. ADHESIVE IS PRE-APPLIED TO THE THREAD FOR THE PREVENTION OF SCREW LOOSENESS.

6	LOCK SCREW	STEEL	2	NICKEL	
5	BOARD LOCK	PHOSPHOR BRONZE	2	TIN	
4	BRACKET	PPS (GF)	1		UL94V-0 BLACK
3	FEMALE CONTACT	PHOSPHOR BRONZE	n	NOTE. #1	
2	INSULATOR	PA9T (GF)	1		UL94V-0 BLACK
1	SHELL	STEEL	1	NICKEL	

LTR.	DATE	BY	REV.	DESCRIPT	No.	PART NAME	MATERIAL	QTY	FINISH	NOTE
△	Aug 03 2012	M. K		ADD P/N.						
△	Jul 13 2012	M. K		ADD P/N.						
△	OCT 06 2009	K. E		ADD P/N.						
△	Oct 18 2005	Y. K		Added Dim.						

DATE	SCALE	UNIT	3RD. A. P	HTK HONDA TSUSHIN KOGYO CO., LTD.	
May.25.2005	2 / 1	mm (INCH)		NAME	0.8mm SPACING RIGHTANGLE FEMALE CONNECTOR
APP. DATE&REV.				PART NO.	HDR-EC ( ) LFDT1- ( ) +
DR.	DE.	CHK.	CHK.	APP.	REV. 4E
R. DOJINAGA	R. DOJINAGA	M. KASAHARA		S. WATANABE	

HDR-EC50LFDT1- ( ) +	50	34.4	28.8	23.2	0.8x24=19.2	19.6	YES
HDR-EC26LFDT1- ( ) +	26	24.8	19.2	13.6	0.8x12=9.6	10	YES
HDR-EC14LFDT1- ( ) +	14	20	14.4	8.8	0.8x6=4.8	5.2	YES
PART NO.	n (NO. OF POS.)	A	B	C	D	E	RELEASE
DIMENSIONS							