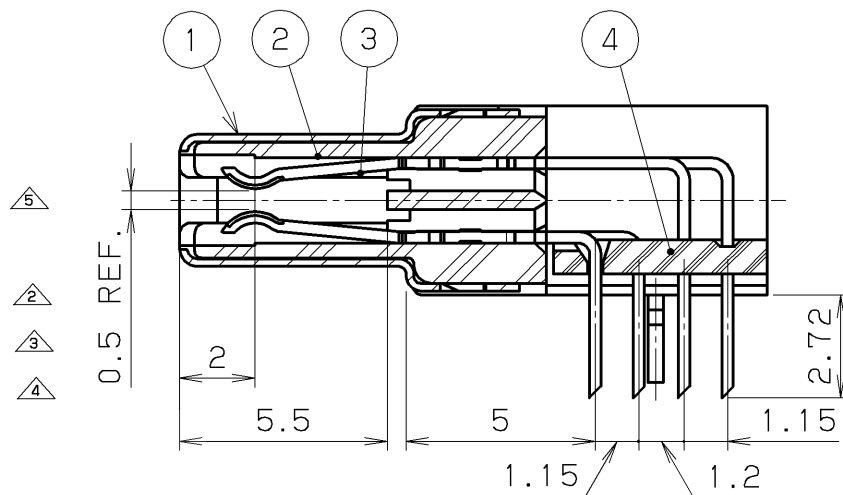
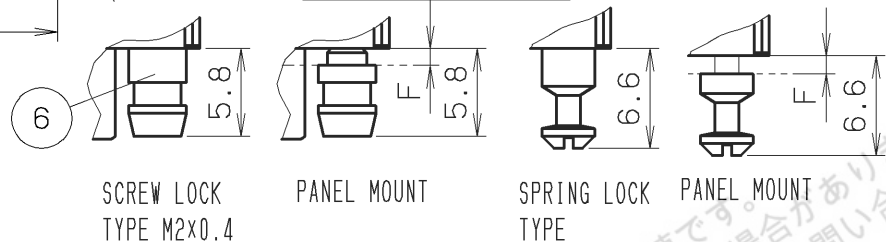
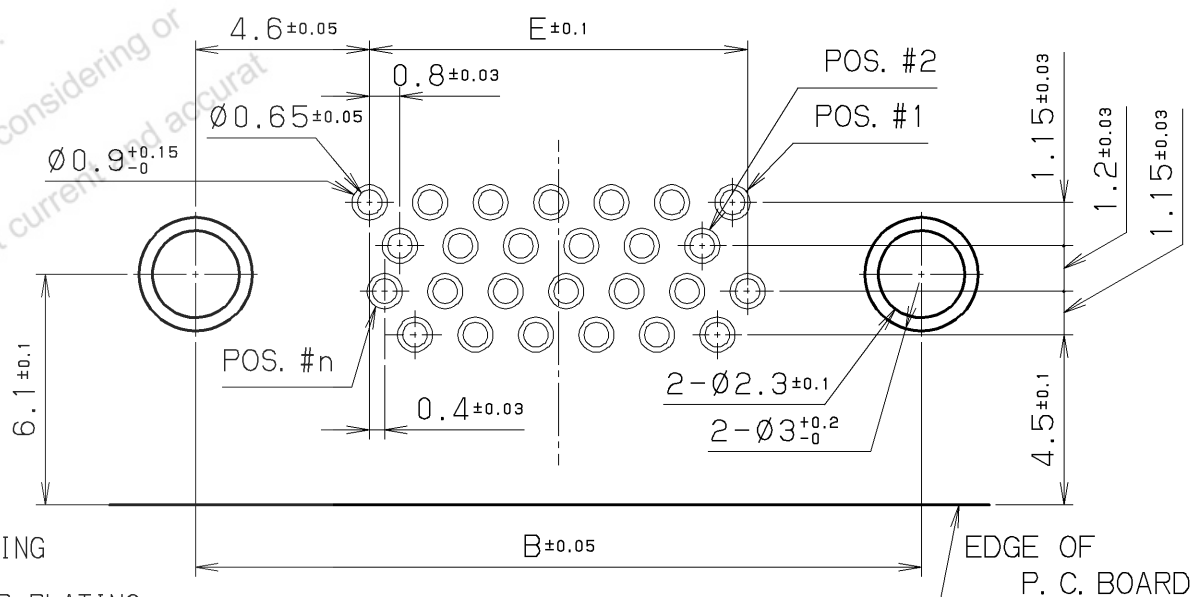
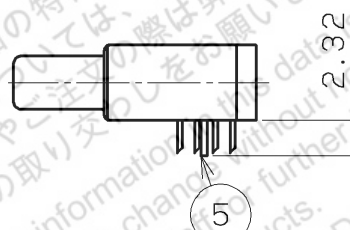
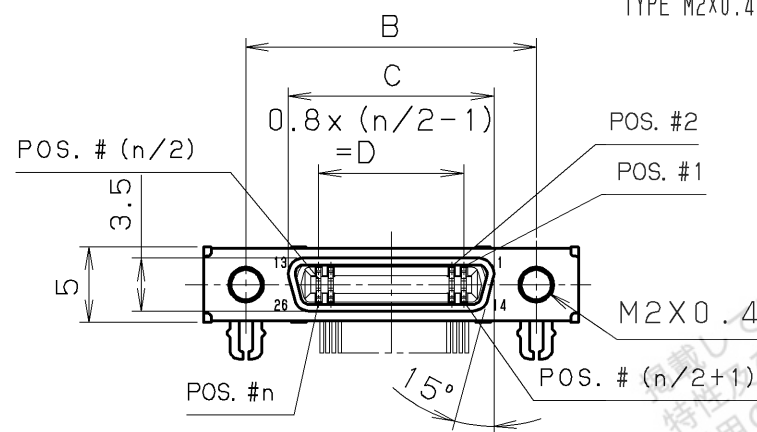


PART No.	TYPE	PANEL (mm)	NOTE
HDR-EC () LFDT2+			
HDR-EC () LFDT2-SLD+	SCREW LOCK TYPE	0	
HDR-EC () LFDT2-SLE+	SPRING LOCK TYPE	0	
HDR-EC () LFDT2-SLF+	SCREW LOCK (PANEL MOUNT)	1.0	SEE NOTE. #4
HDR-EC () LFDT2-SLG+	SCREW LOCK (PANEL MOUNT)	1.12	SEE NOTE. #4
HDR-EC () LFDT2-SLH+	SPRING LOCK TYPE (PANEL MOUNT)	1.2	SEE NOTE. #4
HDR-EC () LFDT2-SLJ+	SPRING LOCK TYPE (PANEL MOUNT)	0.8	SEE NOTE. #4
HDR-EC () LFDT2-SLL+	SPRING LOCK TYPE (PANEL MOUNT)	1.0	SEE NOTE. #4

LOCK SCREWS



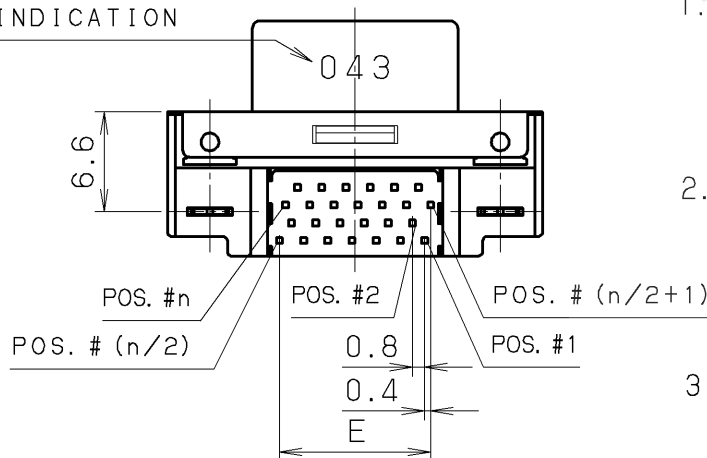
CONTACT DETAIL



RECOMMENDED P.C.B. LAYOUT (MOUNT SIDE VIEW)

(t=1.6 SCALE=5/1)

DATE CODE INDICATION



NOTE

1. CONTACT PLATING
 MATING AREA: 0.1 MICRO METERS MINIMUM GOLD PLATING
 OVER PALLADIUM/NICKEL 0.5 MICRO METERS PLATING
 TERMINATION AREA: 0.05 MICRO METERS MINIMUM GOLD PLATING

UNDERPLATING: NICKEL PLATING

2. MATING CONNECTOR
 HDR-E () MAG1+

3. SPECIFICATION
 RATED CURRENT 0.5A
 RATED VOLTAGE 125V AC (r. m. s.)

4. TWO LOCK SCREWS ARE SUPPLIED WITH A CONNECTOR.

LTR.	DATE	BY	REV.	DESCRIP	No.	PART NAME	MATERIAL	QTY	FINISH	NOTE
△	Nov. 16 2010	Y. K		Add P/N	6	LOCK SCREW	STEEL	2	NICKEL	
△	Dec. 21 2007	Y. K		Add P/N	5	BOARD LOCK	PHOSPHOR BRONZE	2	TIN	
△	Jun. 27 2007	Y. K		Add P/N	4	BRACKET	PPS (GF)	1		UL94V-0 BLACK
△	Apr. 10 2007	Y. K		Add P/N	3	FEMALE CONTACT	PHOSPHOR BRONZE	n	NOTE. #1	
△	Oct. 18 2004	Y. K		50 pos.	2	INSULATOR	PA9T (GF)	1		UL94V-0 BLACK
△					1	SHELL	STEEL	1	NICKEL	

DATE	SCALE	UNIT	3RD. A. P	HONDA TSUSHIN KOGYO CO., LTD.						
Jun. 1. 2004	2 / 1	mm (INCH)		DR.	DE.	CHK.	CHK.	APP.	NAME	0.8mm SPACING RIGHTANGLE FEMALE CONNECTOR
APP. DATE&REV.				Y. KATO	Y. KATO			C. NUNOKAWA	PART NO.	HDR-EC () LFDT2- () +
										REV. 5E

PART NO.	n (NO. OF POS.)	A	B	C	D	E
HDR-EC50LFDT2- () +	50	34.4	28.8	23.2	0.8x24=19.2	19.6
HDR-EC26LFDT2- () +	26	24.8	19.2	13.6	0.8x12=9.6	10
HDR-EC14LFDT2- () +	14	20	14.4	8.8	0.8x6=4.8	5.2