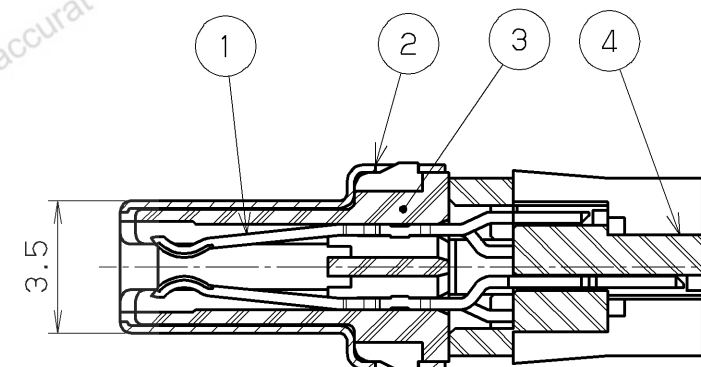
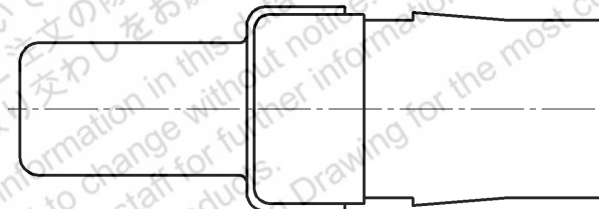
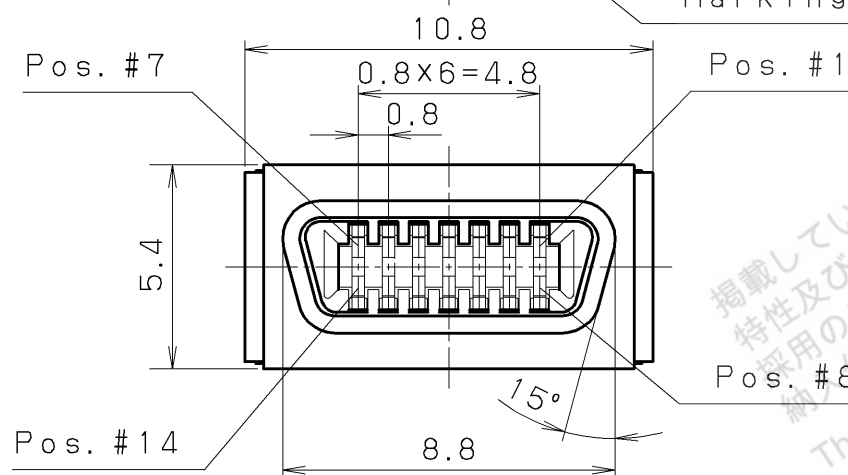


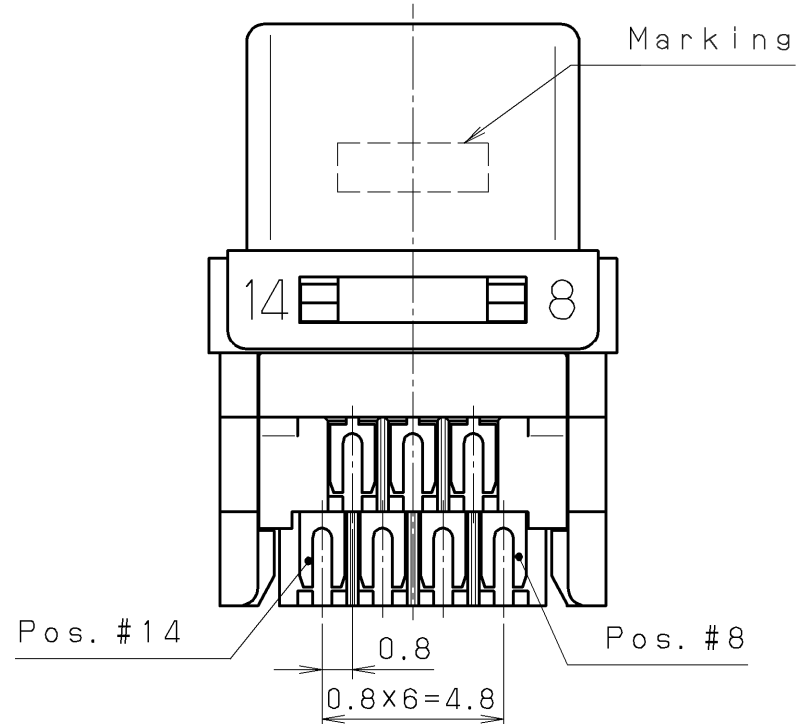
Note 1. Contact plating
 Mating area: 0.76 micro meters minimum gold plating
 Termination area: 0.05 micro meters gold plating
 Underplating: Nickel plating

2. Applicable cable cover
 P/N: HDR-E14LPH
 HDR-E14LPH () +

3. Mating connector
 P/N: HDR-EA14LMY () - () +
 HDR-E14M () G1+
 HDR-E14MS () +



Contact detail



掲載している商品の特性及び仕様は参考値です。特性及び仕様については、予告無く変更する場合があります。採用のご検討やご注文の際は弊社担当窓口までお問い合わせをお願いします。納品仕様書の取り交わしをお願いいたします。
 The product information in this drawing is for reference only. This is subject to change without notice. Contact our sales staff for further information before considering or ordering any of our products. Please request Engineering design information.

HTK

					4	Spacer	PA9T (GF)	1		UL94V-0 Black
					3	Insulator	PA9T (GF)	1		UL94V-0 Black
					2	Shell	Steel	1	Nickel plating	
					1	Contact	Phosphor bronze	14	Note. #1	
LTR.	DATE	BY	REV.	DESCRIPT	No.	PART NAME	MATERIAL	QTY	FINISH	NOTE
	DATE		SCALE		UNIT	3RD. A. P	HONDA TSUSHIN KOGYO CO., LTD.			
	Mar. 12, 2009		5/1		mm (INCH)					
	APP. DATE&REV.									
	DR.	DE.	CHK.	CHK.	APP.	NAME	0.8mm spacing shielded female cable connector (RoHS)			
	H. AIZAWA	H. AIZAWA	M. KASHIHARA	—	K. KASAI	PART NO.	HDR-E14FSG1+			REV.