

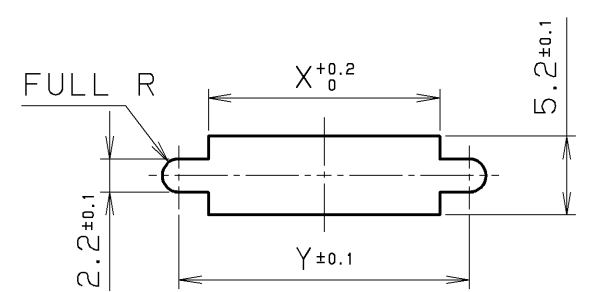
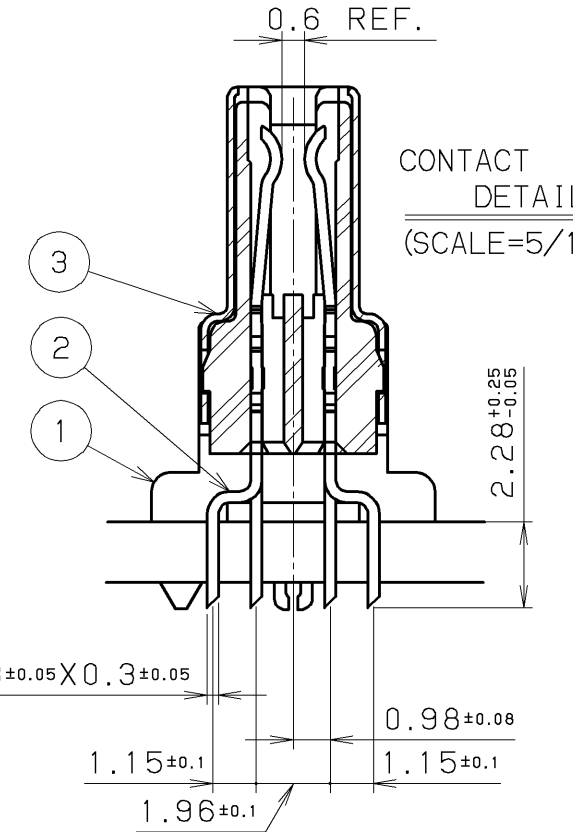
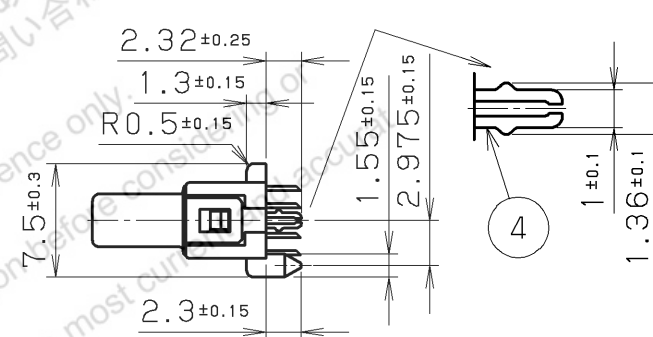
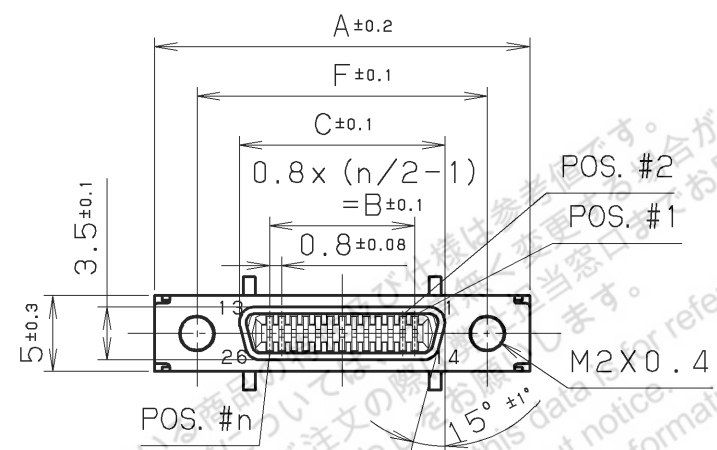
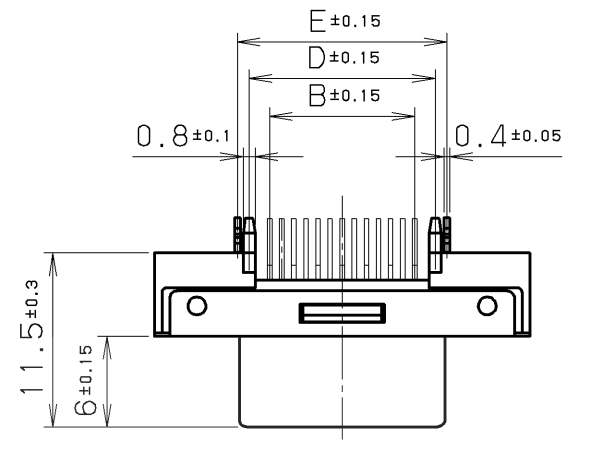
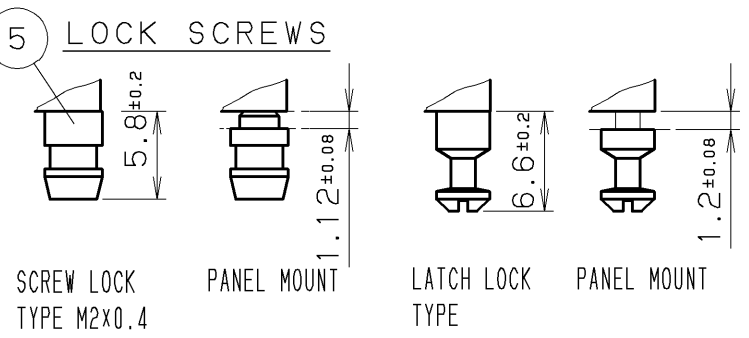
PART No.	TYPE	NOTE
HDR-EC () FDTG2+		
HDR-EC () FDTG2-SL+	SCREW LOCK (PANEL MOUNT)	SEE NOTE. #4
HDR-EC () FDTG2-SLD+	SCREW LOCK TYPE	
HDR-EC () FDTG2-SLE+	LATCH LOCK TYPE	
HDR-EC () FDTG2-SLH+	LATCH LOCK (PANEL MOUNT)	SEE NOTE. #4

n (NO. OF POS.)	A	B	C	D	E	F
26	24.8	0.8x12=9.6	13.6	12.3	13.85	19.2
14	20	0.8x6=4.8	8.8	7.5	9.05	14.4

DIMENSIONS

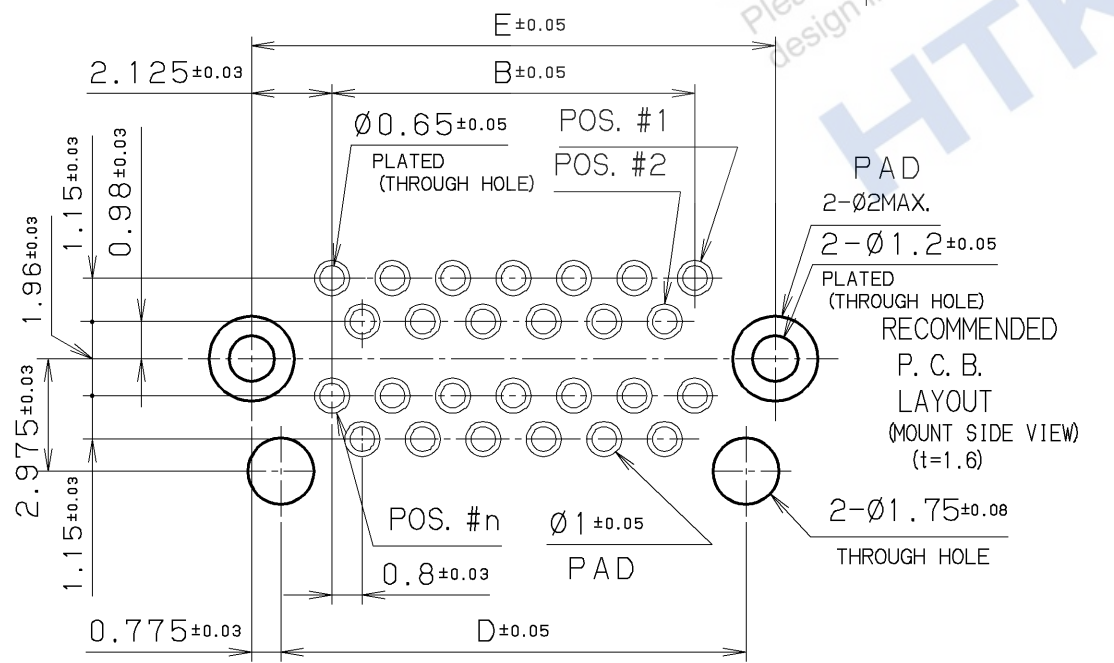
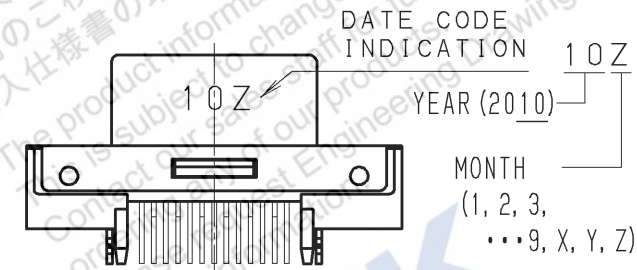
NOTE

- CONTACT PLATING
 MATING AREA : 0.76 MICRO METERS MINIMUM GOLD PLATING
 TERMINATION AREA : 0.05 MICRO METERS GOLD PLATING
 UNDERPLATING : 1.3 MICRO METERS MINIMUM NICKEL PLATING
- MATING CONNECTOR
 HDR-E () MAG () +
 HDR-E () MSG () +
- SPECIFICATION
 RATED CURRENT 0.5A
 RATED VOLTAGE 125V AC (r. m. s.)
- TWO LOCK SCREWS ARE SUPPLIED WITH A CONNECTOR.



RECOMMENDED PANEL CUT-OUT DIMENSIONS

No. of contacts	X	Y
14	10.5	14.4
26	15.3	19.2



5	LOCK SCREW	STEEL	2	NICKEL PLATING	
4	BOARD LOCK PIN	PHOSPHOR BRONZE	2	TIN PLATING	
3	SHELL	STEEL	1	NICKEL PLATING	
2	CONTACT	PHOSPHOR BRONZE	n	SEE NOTE #1	
1	INSULATOR	PA9T	1		UL94V-0 BLACK

LTR.	DATE	BY	REV.	DESCRIPT	No.	PART NAME	MATERIAL	QTY	FINISH	NOTE
△	July-23 2010	Y. K	Revise							
△	Aug. 1 2007	Y. K	Revise							
DATE						SCALE	UNIT	3RD. A. P		
Apr. 26. 2004						2 / 1	mm (INCH)	HONDA TSUSHIN KOGYO CO., LTD.		
APP. DATE & REV.						DR.	DE.	CHK.	CHK.	APP.
						Y. KATO	Y. KATO		C. NUNOKAWA	T. NAKANO
						NAME	0.8mm SPACING FEMALE CONNECTOR (THROUGH HOLE TYPE)			REV.
						PART NO.	HDR-EC () FDTG2- () +			2B