

PART No.	TYPE	NOTE
HDR-EC () FDT2G2+		
HDR-EC () FDT2G2-SL+	SCREW LOCK (PANEL MOUNT)	SEE NOTE #4
HDR-EC () FDT2G2-SLD+	SCREW LOCK TYPE	
HDR-EC () FDT2G2-SLE+	LATCH LOCK TYPE	
HDR-EC () FDT2G2-SLH+	LATCH LOCK (PANEL MOUNT)	SEE NOTE #4

26	24.8	0.8x12=9.6	13.6	12.3	13.85	19.2
14	20.0	0.8x 6=4.8	8.8	7.5	9.05	14.4
n (NO. OF POS.)	A	B	C	D	E	F

DIMENSIONS

NOTE

1. CONTACT PLATING

MATING AREA : 0.76 MICRO METERS MINIMUM GOLD PLATING
 TERMINATION AREA : 0.05 MICRO METERS GOLD PLATING
 UNDERPLATING : 1.3 MICRO METERS MINIMUM NICKEL PLATING

2. MATING CONNECTOR

HDR-E () MAG () +
 HDR-E () MSG () +

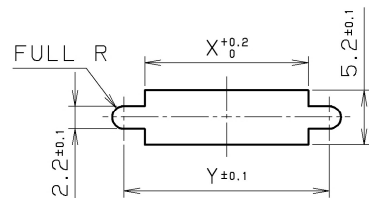
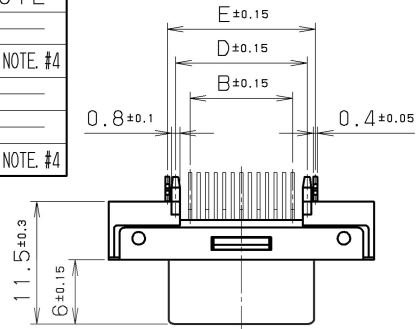
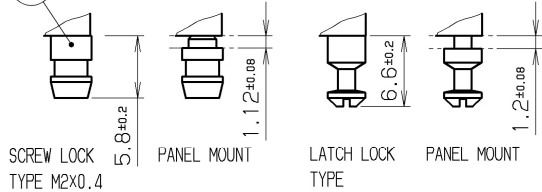
3. SPECIFICATION

RATED CURRENT 0.5A
 RATED VOLTAGE 125V AC (r. m. s.)

4. TWO LOCK SCREWS ARE

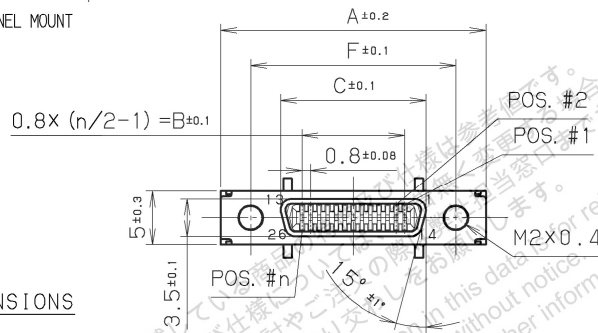
SUPPLIED WITH A CONNECTOR.

5 LOCK SCREWS

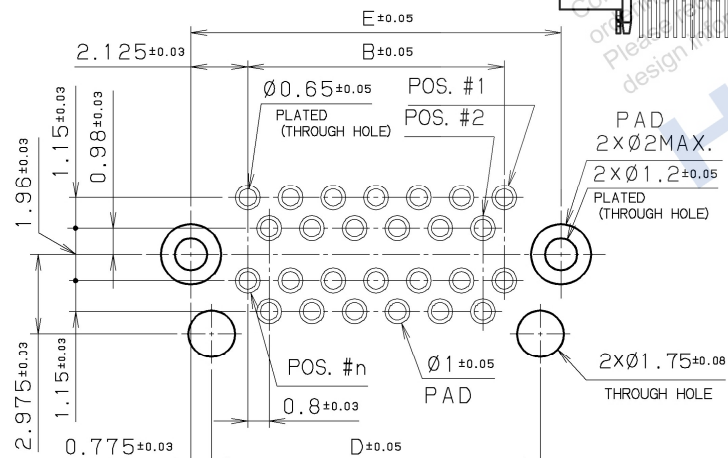
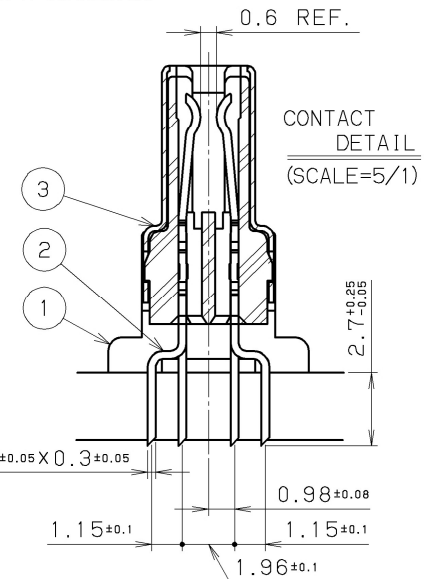
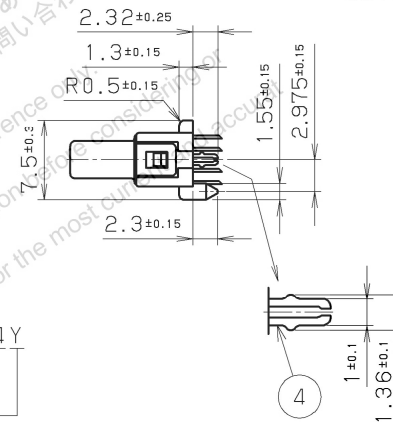


RECOMMENDED PANEL CUT-OUT DIMENSIONS

No. of contacts	X	Y
14	10.5	14.4
26	15.3	19.2



DATE CODE INDICATION YEAR (2014) MONTH (1, 2, 3, ...9, X, Y, Z)



RECOMMENDED P. C. B. LAYOUT (MOUNT SIDE VIEW)

5	LOCK SCREW	STEEL	2	NICKEL PLATING	
4	BOARD LOCK PIN	PHOSPHOR BRONZE	2	TIN PLATING	
3	SHELL	STEEL	1	NICKEL PLATING	
2	CONTACT	PHOSPHOR BRONZE	n	SEE NOTE #1	
1	INSULATOR	PA9T	1		UL 94V-0 BLACK

LTR.	DATE	BY	REV.	DESCRPT	No.	PART NAME	MATERIAL	QTY	FINISH	NOTE
	NOV. 17. 2014		2	/ 1						
APP. DATE&REV.					3RD. A. P					
DR.	DE.	CHK.	CHK.	APP.						
K. OOKU	K. OOKU			Y. KATO						
					NAME		0.8mm SPACING FEMALE CONNECTOR (THROUGH HOLE TYPE)			
					PART NO.		HDR-EC26FDT2G2-() +			REV.