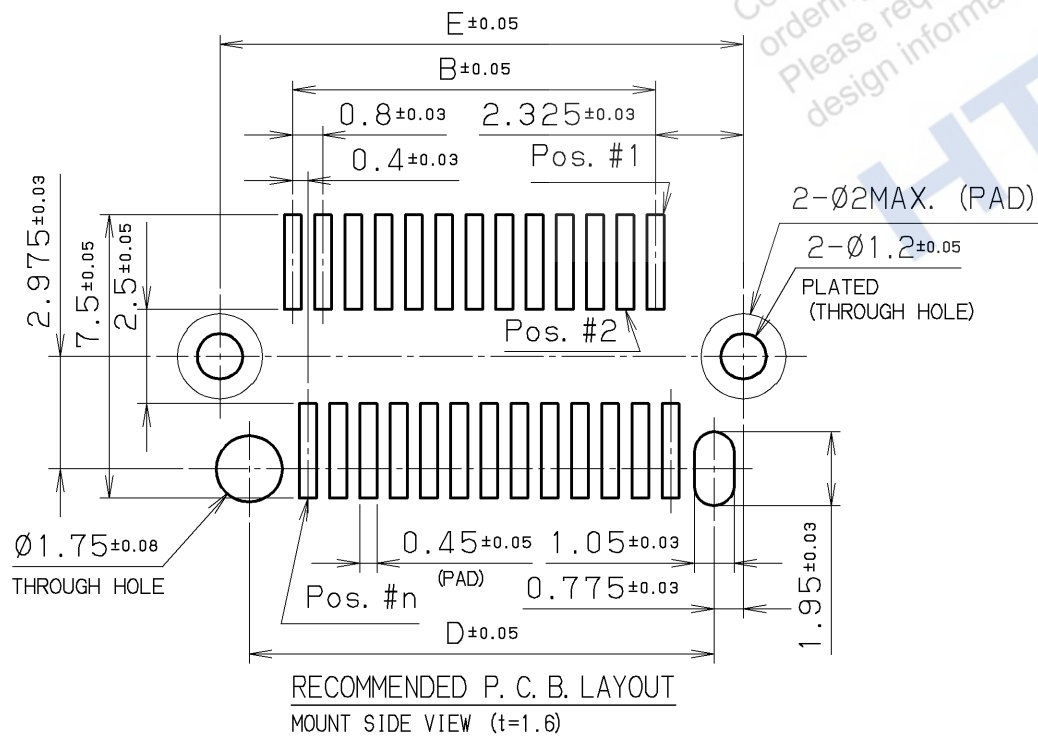
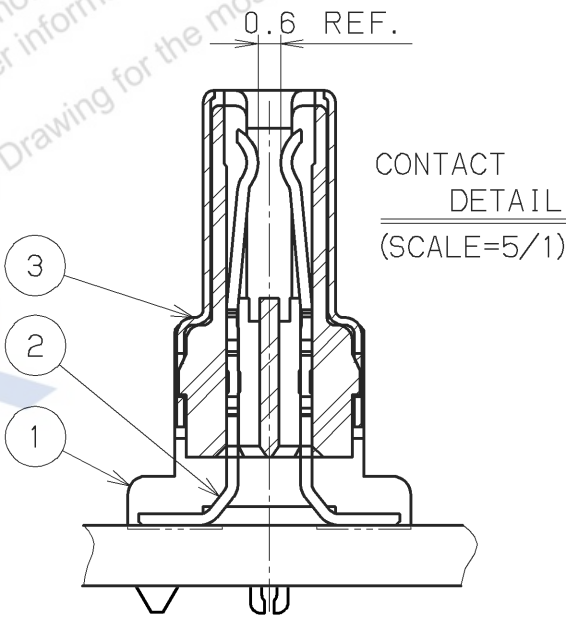
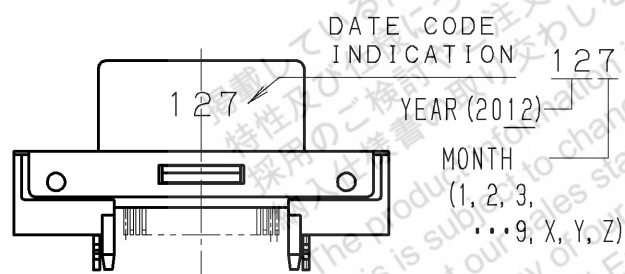
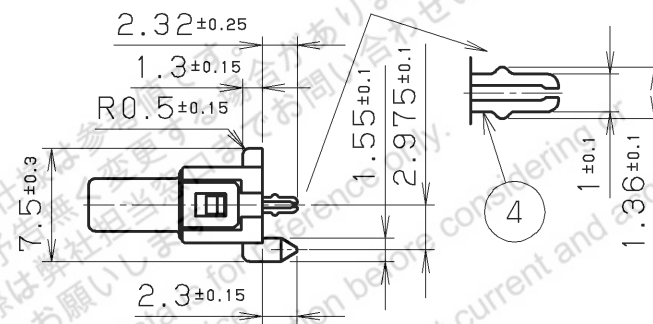
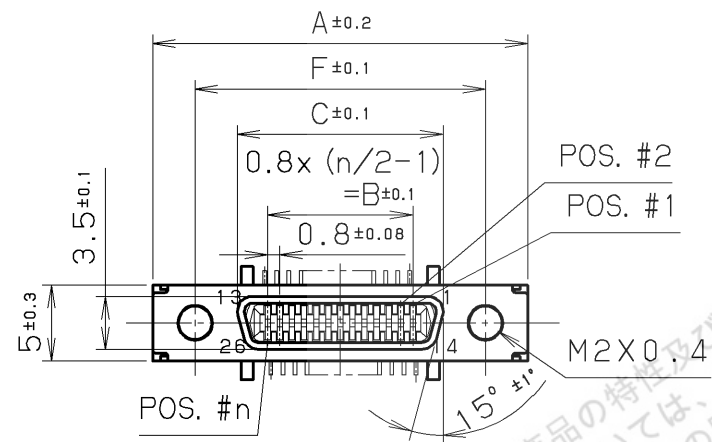
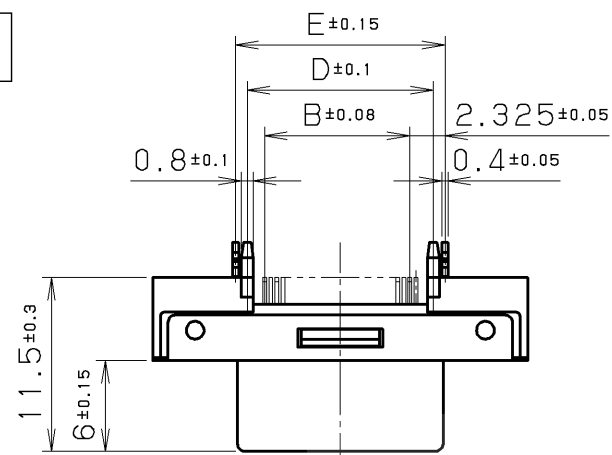


RoHS COMPLIANT



Note 1. Mating connector
HDR-E () MAG1+/HDR-E () MSG1+

2. Specification
Rated current 0.5A
Rated voltage 125V AC (r. m. s.)

3. P/N: HDR-EC*FYT*-**

(3) Lock screws
(2) Contact plating
(1) No. of Pos.

4. This drawing shows HDR-EC26FYT () +.

(1) Dimensions

| No. of Pos. | Dimensions | | | | | | |
|-------------|------------|------------|------|------|-------|------|------|
| | A | B | C | D | E | F | G |
| 14 | 20 | 0.8x6=4.8 | 8.8 | 7.5 | 9.05 | 14.4 | 10.5 |
| 26 | 24.8 | 0.8x12=9.6 | 13.6 | 12.3 | 13.85 | 19.2 | 15.3 |

(2) Contact plating

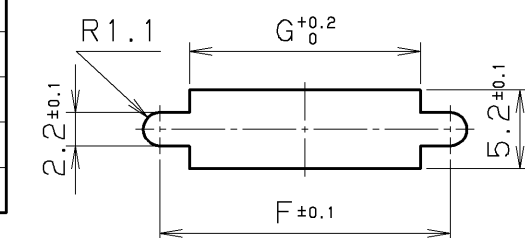
| Mating area | |
|-------------|-----------------------------------|
| — | Gold 0.1µm+Palladium/nickel 0.5µm |
| G2 | Gold 0.76µm |

Terminal area: Gold plating 0.05µm
Underplating: Nickel plating 1.3µm

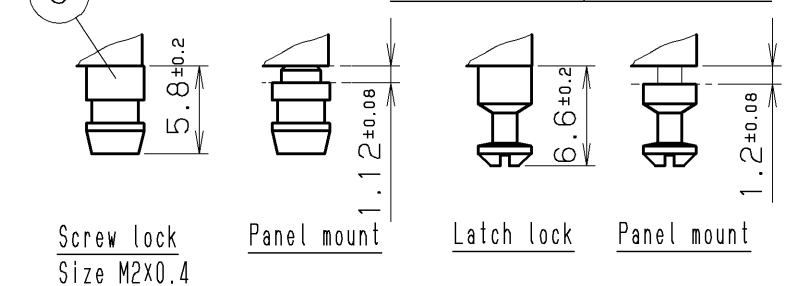
(3) Lock screws

| Type | |
|------|--------------------------|
| SL | Screw lock (Panel mount) |
| SLD | Screw lock |
| SLE | Latch lock |
| SLH | Latch lock (Panel mount) |

* Two lock screws are supplied with a connector.



Recommended panel cutout



| No. | PART NAME | MATERIAL | QTY | FINISH | NOTE |
|-----|----------------|-----------------|-----|----------------|---------------|
| 5 | LOCK SCREW | STEEL | 2 | NICKEL PLATING | |
| 4 | BOARD LOCK PIN | PHOSPHOR BRONZE | 2 | TIN PLATING | |
| 3 | SHELL | STEEL | 1 | NICKEL PLATING | |
| 2 | CONTACT | PHOSPHOR BRONZE | n | SEE NOTE #3 | |
| 1 | INSULATOR | PA9T | 1 | | UL94V-0 BLACK |

| LTR. | DATE | BY | REV. | DESCRIPT | No. | PART NAME | MATERIAL | QTY | FINISH | NOTE |
|----------------|--------------|---------|-------------|----------|--|--|----------|-----|--------|------|
| | July-20,2012 | | 2 / 1 | | 3RD. A. P | | | | | |
| APP. DATE&REV. | | | | | | HTK HONDA TSUSHIN KOGYO CO., LTD. | | | | |
| DR. | DE. | CHK. | CHK. | APP. | NAME 0.8mm SPACING FEMALE CONNECTOR (SMT TYPE) | | | | | |
| K. OOKU | K. OOKU | K. ENDO | S. WATANABE | Y. KATO | PART NO. HDR-EC () FYT () - () + REV. | | | | | |