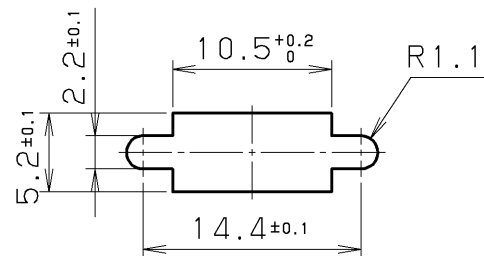
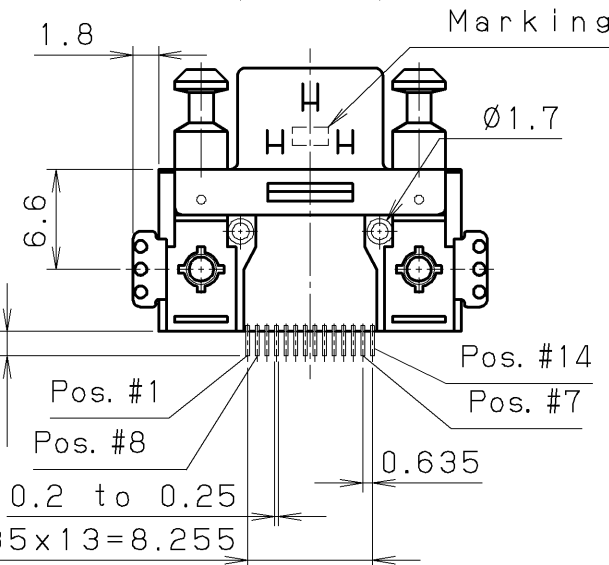
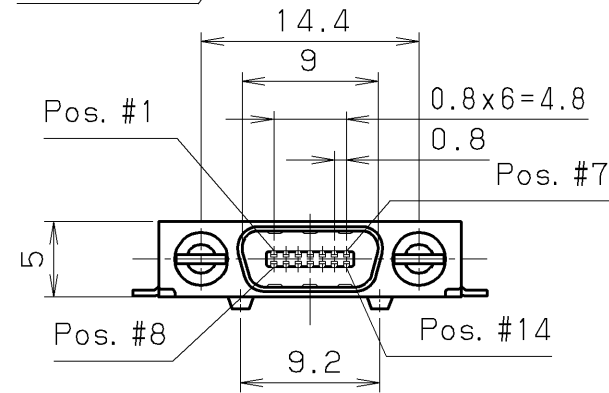


Marking



Recommended panel cut-out dimensions

Note 1. Specification

Rated current: 0.5A  
Rated voltage: 125V AC (r. m. s.)

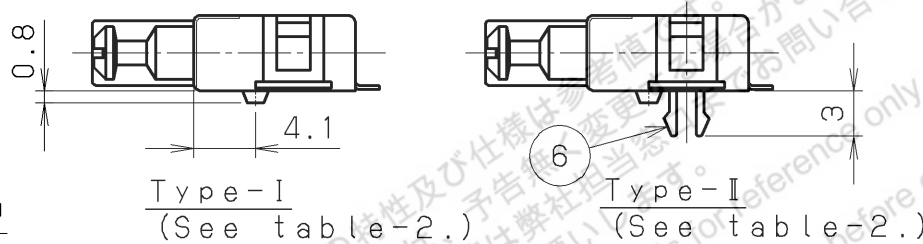
2. Contact plating

0.76µm min. gold on mating area,  
0.05µm gold on termination area,  
all over 1.5µm min. nickel underplated.

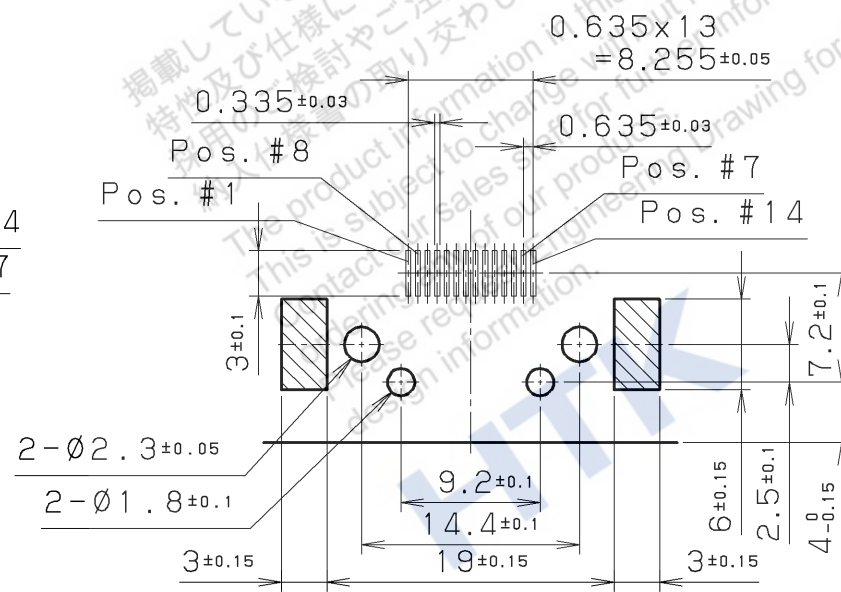
3. Contact sequence

Contact length	Contact pos. No.
4.4 mm	Pos. #1, 7, 8, 14
3.6 mm	Others

4. Two lock screws are supplied with a connector.



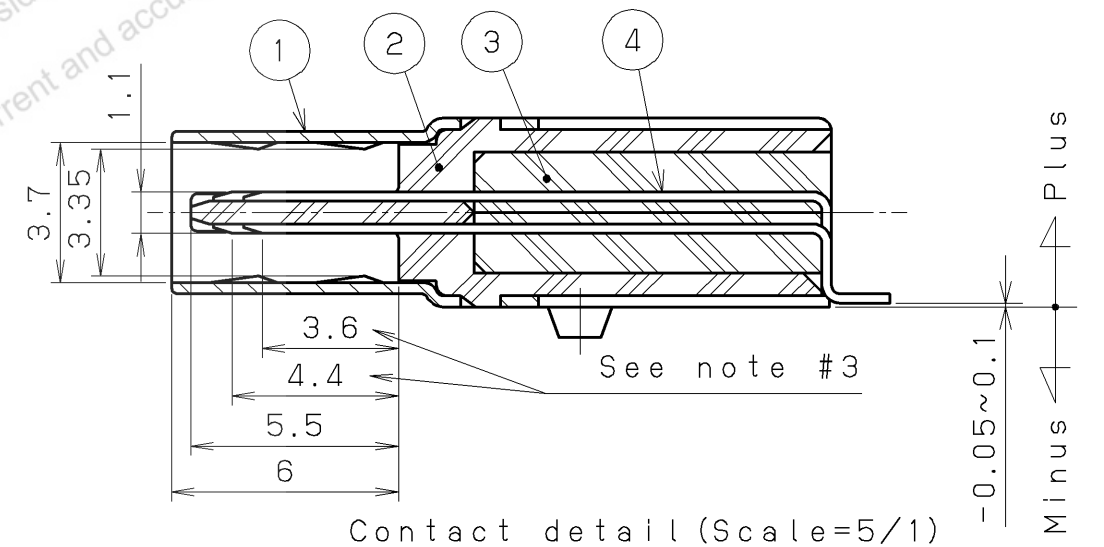
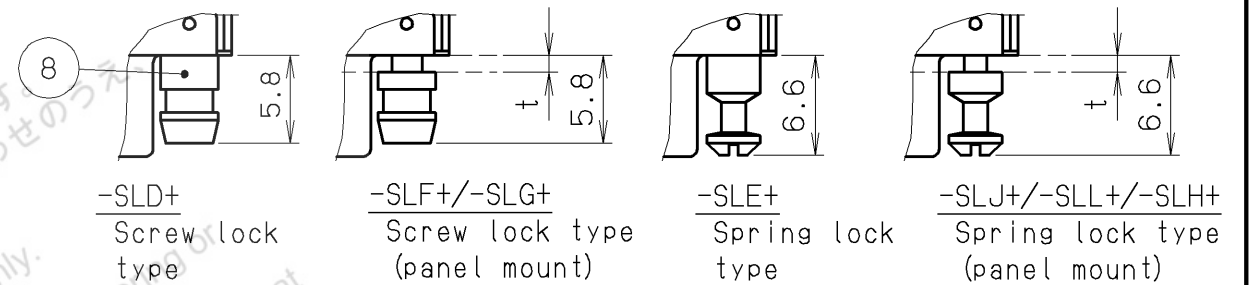
Type-I (See table-2.) Type-I (See table-2.)



Recommended P.C.B. layout

Table-1. Lock screws

Part No.	Type	Panel thickness: t	Note
HDR-EA14LMY ( ) G1-SLD+	Screw lock type	—	—
HDR-EA14LMY ( ) G1-SLF+	Screw lock type	0.89±0.08	See note. #4
HDR-EA14LMY ( ) G1-SLG+	(panel mount)	1.12±0.08	See note. #4
HDR-EA14LMY ( ) G1-SLE+	Spring lock type	—	—
HDR-EA14LMY ( ) G1-SLJ+	Spring lock type	0.8±0.08	See note. #4
HDR-EA14LMY ( ) G1-SLL+	(panel mount)	1.0±0.08	See note. #4
HDR-EA14LMY ( ) G1-SLH+	Spring lock type	1.2±0.08	See note. #4



Contact detail (Scale=5/1)

8	Lock screw	Steel	2	Nickel plating	M2x0.4
7	Sqr. nut	Brass	2	Nickel plating	M2x0.4
6	Earth plate	Phosphor bronze	2	Nickel plating	—
5	Hex. nut	Steel	Table-2	Nickel plating	M2x0.4
4	Contact	Phosphor bronze	14	Note. #2	—
3	Insulator B	PPS (GF)	1	—	UL94V-0 Black
2	Insulator A	PPS (GF)	1	—	UL94V-0 Black
1	Shell	Steel	1	Nickel plating	—

LTR.	DATE	BY	REV.	DESCRIPT	No.	PART NAME	MATERIAL	QTY	FINISH	NOTE
	Mar. 18, 2009	H. A.	Revised.							

Table-2. Mounting structure

Part No.	Mounting structure	Qty. of hex. nut	P.C.B. thickness
HDR-EA14LMYPG1-( )+	Type-I (Screw + Hold down)	2	1.0
HDR-EA14LMYWG1-( )+	Type II (Lock pin + Hold down)	—	1.6

DATE	SCALE	UNIT	3RD. A. P	HONDA TSUSHIN KOGYO CO., LTD.						
Mar. 29 (2004)	2 / 1	mm (INCH)		DR.	DE.	CHK.	CHK.	APP.	NAME	0.8mm spacing 14 pos. right angle male connector
				H. AIZAWA	H. AIZAWA	K. TAKAHASHI	—	K. KASAI	PART NO.	HDR-EA14LMY ( ) G1-( )+
									REV.	1A