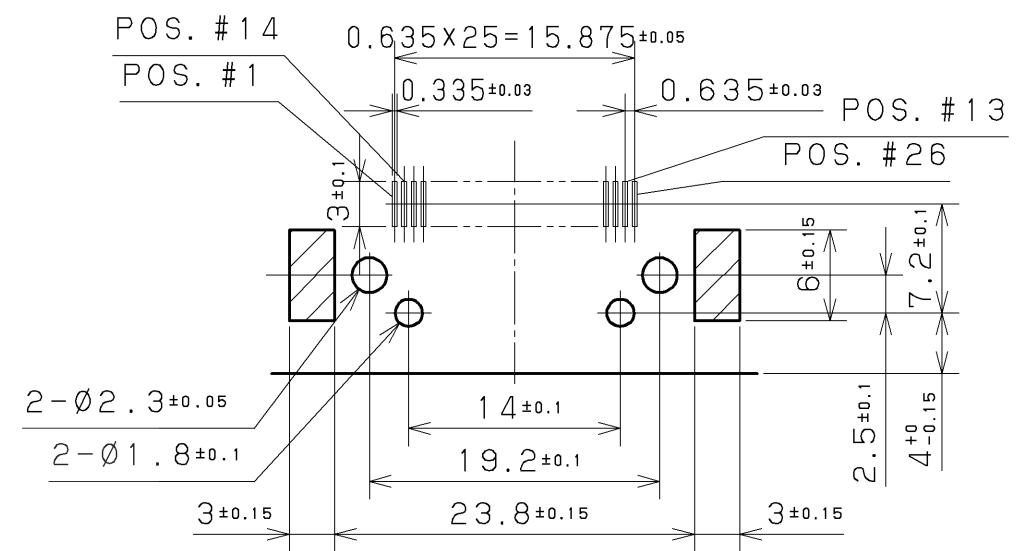
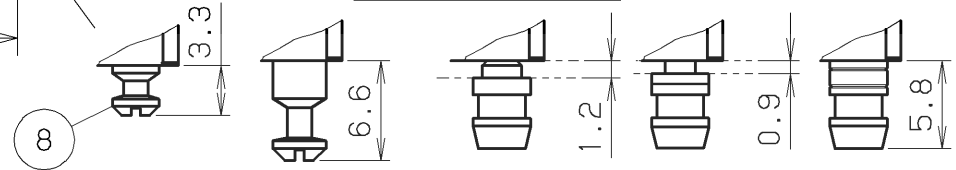


PART No.	TYPE	NOTE
HDR-EA26LMYPG1+		
HDR-EA26LMYPG1-SLD+	SCREW LOCK	
HDR-EA26LMYPG1-SLE+	SPRING LOCK TYPE (6.6)	
HDR-EA26LMYPG1-SLF+	SCREW LOCK (PANEL 0.9)	SEE NOTE. #4
HDR-EA26LMYPG1-SLG+	SCREW LOCK (PANEL 1.2)	SEE NOTE. #4
HDR-EA26LMYPG1-SLK+	SPRING LOCK TYPE (3.3)	

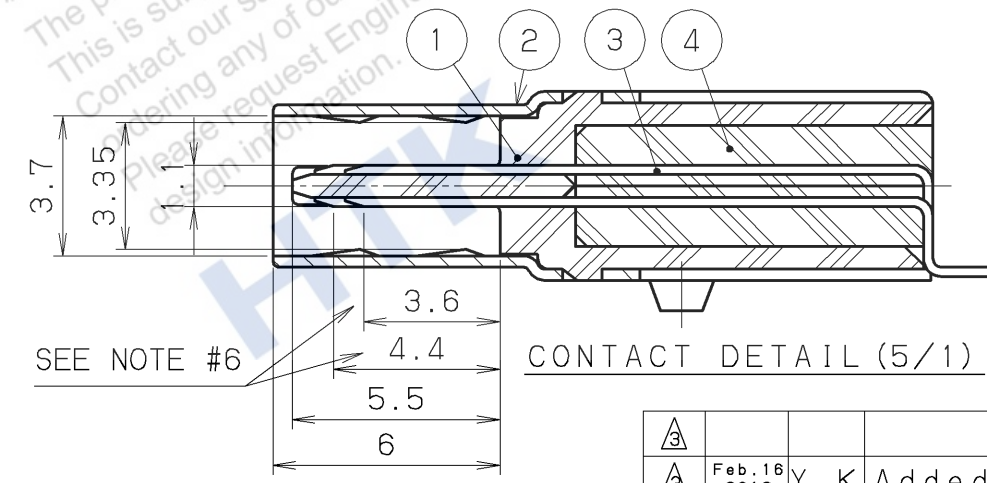
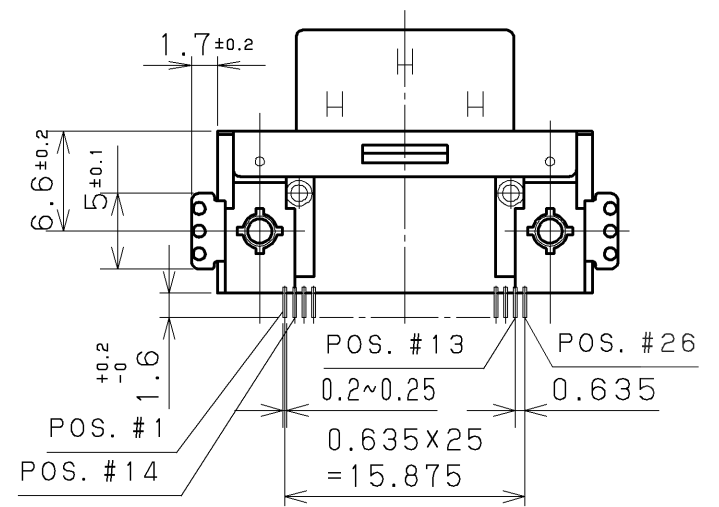
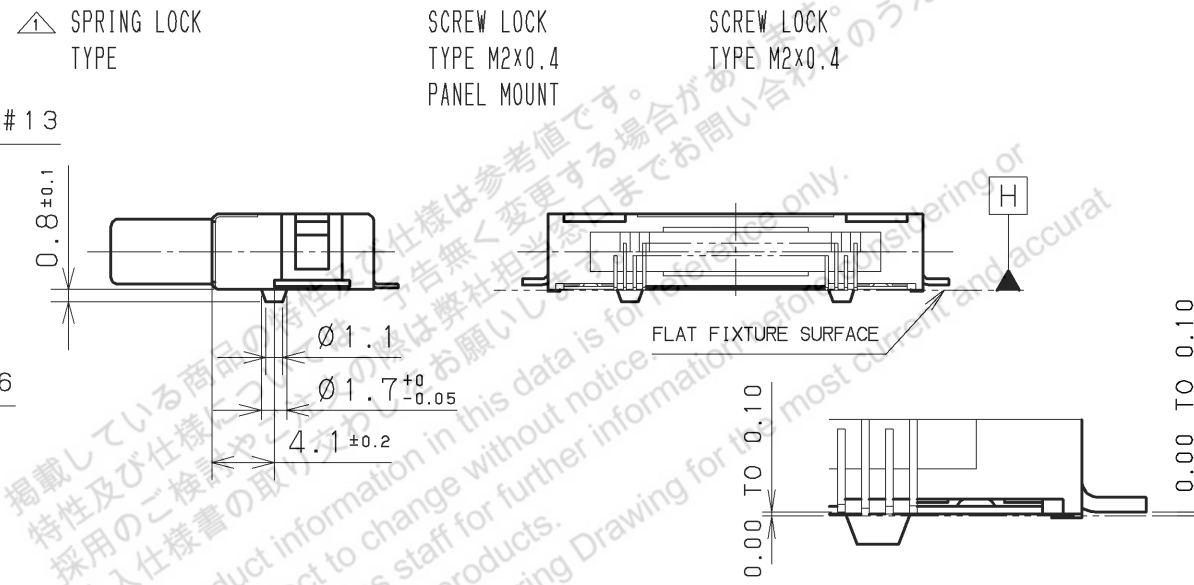
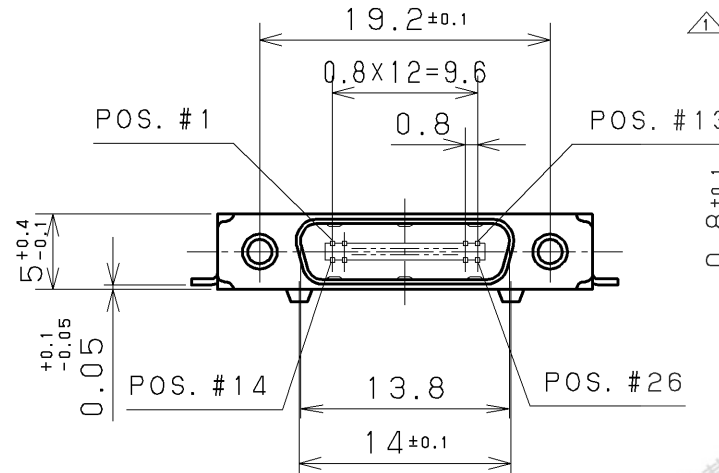
LOCK SCREWS



RECOMMENDED P.C.B. LAYOUT

- CONTACT PLATING
MATING AREA
0.76 MICRO METERS MINIMUM GOLD PLATING
TERMINATION AREA
0.05 MICRO METERS MINIMUM GOLD PLATING

UNDERPLATING: NICKEL PLATING 1µm
- MATING CONNECTOR
HDR-E26F () G () +
- SPECIFICATION
RATED CURRENT 0.5A
RATED VOLTAGE 125V AC (r. m. s.)
- TWO LOCK SCREWS ARE SUPPLIED WITH A CONNECTOR.
- THE DIMENSION OF PIN TAIL'S LOWER SURFACE TO DETUM 'H' SURFACE: 0.00 TO 0.10.
THE CONECTOR SHOULD BE ON FLAT FIXTURE SURFACE WHEN THE DIMENSIONS ARE MEASURED.



6. CONTACT SEQUENCE

CONTACT LENGTH	CONTACT POS. NO.
4.4mm	POS. #1, 13, 14, 26
3.6mm	OTHERS

8	LOCK SCREW	STEEL	2	NICKEL PLATING	M2x0.4
7	HEX. NUT	STEEL	2	NICKEL PLATING	M2x0.4
6	EARTH PLATE	PHOSPHOR BRONZE	2	NICKEL PLATING	
5	SQR. NUT	BRASS	2	NICKEL PLATING	M2x0.4
4	INSULATOR B	PPS (GF)	1		UL94V-0 BLACK COLOR
3	CONTACT	PHOSPHOR BRONZE	26	SEE NOTE #2	
2	SHELL	STEEL	1	NICKEL PLATING	
1	INSULATOR A	PPS (GF)	1		UL94V-0 BLACK COLOR

DATE	SCALE	UNIT	3RD. A. P	HONDA TSUSHIN KOGYO CO., LTD.		
Feb. 23. 2004	2/1	mm (INCH)		DR.	DE.	CHK.
APP. DATE&REV.				Y. KATO	Y. KATO	M. KASHIHARA
				CHK.	APP.	H. EBIHARA
NAME		0.8mm SPACING 26POS. RIGHTANGLE MALE CONNECTOR		PART NO.		HDR-EA26LMYPG1- () +
REV.		2B				