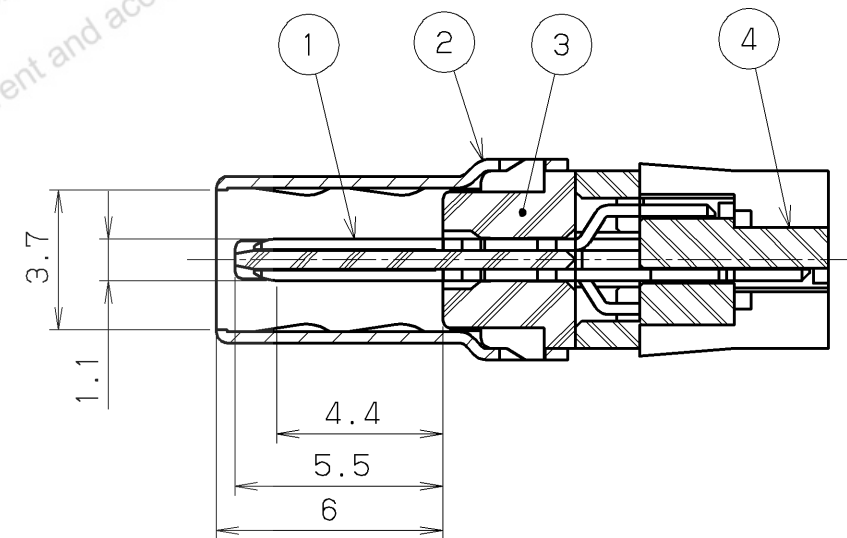
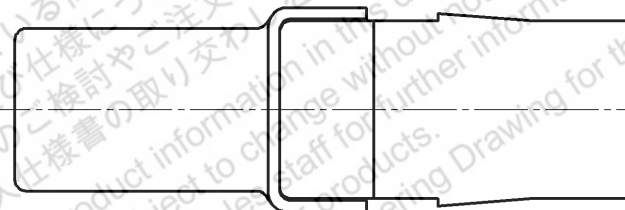


Note 1. Contact plating
 Mating area: 0.76 micro meters minimum gold plating
 Termination area: 0.05 micro meters gold plating
 Underplating: Nickel plating

2. Applicable cable cover
 P/N: HDR-E14LPH
 HDR-E14LPH () +

3. Mating connector
 P/N: HDR-EA14LFY () - () +
 HDR-EC14LFDT () - () +
 HDR-EC14FDT () - () +
 HDR-E14FS () +



Contact detail

					4	Spacer	PA9T (GF)	1		UL94V-0 Black
					3	Insulator	PBT (GF)	1		UL94V-0 Black
					2	Shell	Steel	1	Nickel plating	
					1	Contact	Phosphor bronze	14	Note. #1	
LTR.	DATE	BY	REV.	DESCRIPT	No.	PART NAME	MATERIAL	QTY	FINISH	NOTE
	DATE Mar. 12, 2009		SCALE 5/1		UNIT mm (INCH)	3RD. A. P	HONDA TSUSHIN KOGYO CO., LTD.			
	APP. DATE&REV.									
	DR. H. AIZAWA	DE. H. AIZAWA	CHK. M. KASHIHARA	CHK. —	APP. K. KASAI	NAME	0.8mm spacing shielded male cable connector (RoHS)			REV.
						PART NO.	HDR-E14MSG1+			