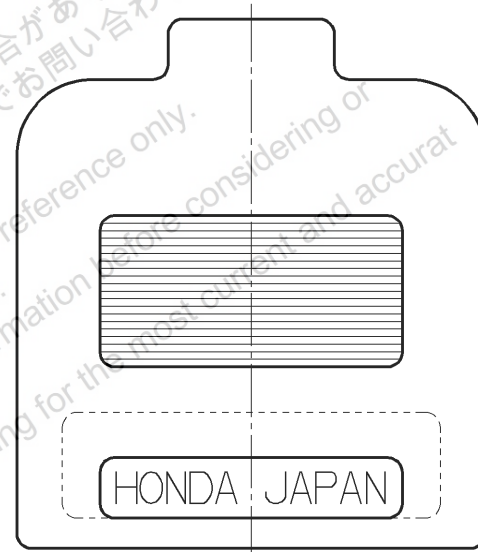
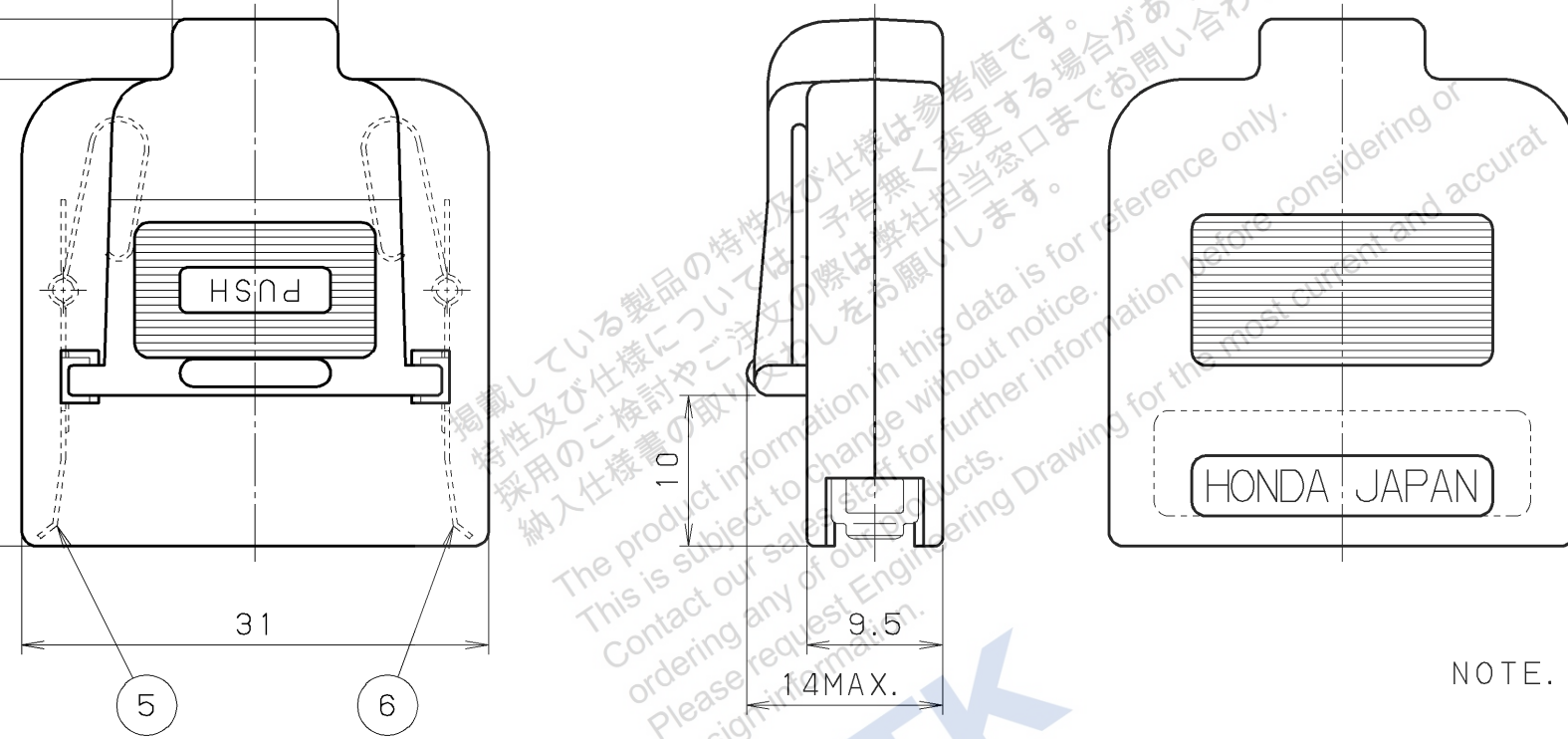


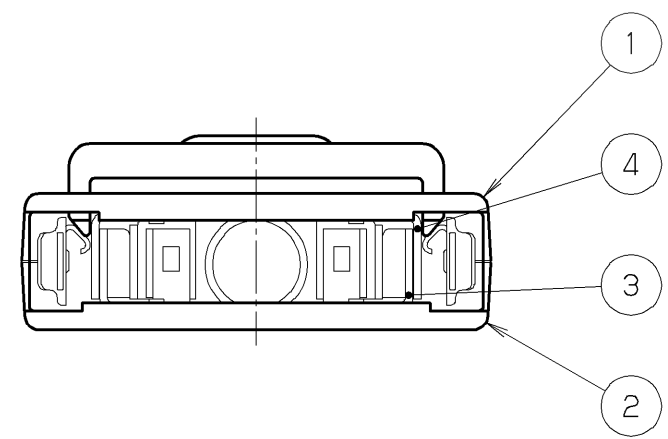
CONN.
P/N:HDRA-E36MA

ASS'Y DWG.



HONDA JAPAN

NOTE. #1 APPLICABLE CABLE: Ø5.6
#2 DIMENSION TOLERANCE: ±0.5



掲載している製品の特性及び仕様は参考値です。予告なく変更する場合があります。お問い合わせのうえ、特性及び仕様のご検討やご注文の際は弊社担当窓口までお問い合わせをお願いします。
The product information in this data is for reference only. This is subject to change without notice. Contact our sales staff for further information before considering or ordering any of our products. Please request Engineering Drawing for the most current and accurate design information.

HTK

6	LOCKING DEVICE B	STAINLESS STEEL	1		
5	LOCKING DEVICE A	STAINLESS STEEL	1		
4	INNER SHELL B	STEEL	1	NICKEL PLATED	
3	INNER SHELL A	STEEL	1	NICKEL PLATED	
2	CASE B	ABS/PC ALLOY	1		UL94V-0 BLACK
1	CASE A	ABS/PC ALLOY	1		UL94V-0 BLACK

LTR.	DATE	BY	REV.	DESCRIPT	No.	PART NAME	MATERIAL	QTY	FINISH	NOTE		
	MAR. 21. 2000		2/1		3RD. A. P	HTK HONDA TSUSHIN KOGYO CO., LTD.						
	APP. DATE&REV.					DR.	DE.	CHK.	CHK.	APP.	NAME	CASE FOR HDRA
						Y. KATO	Y. KATO	—	C. NUNOKAWA	H. EBIHARA	PART NO.	HDRA-E36LPTH