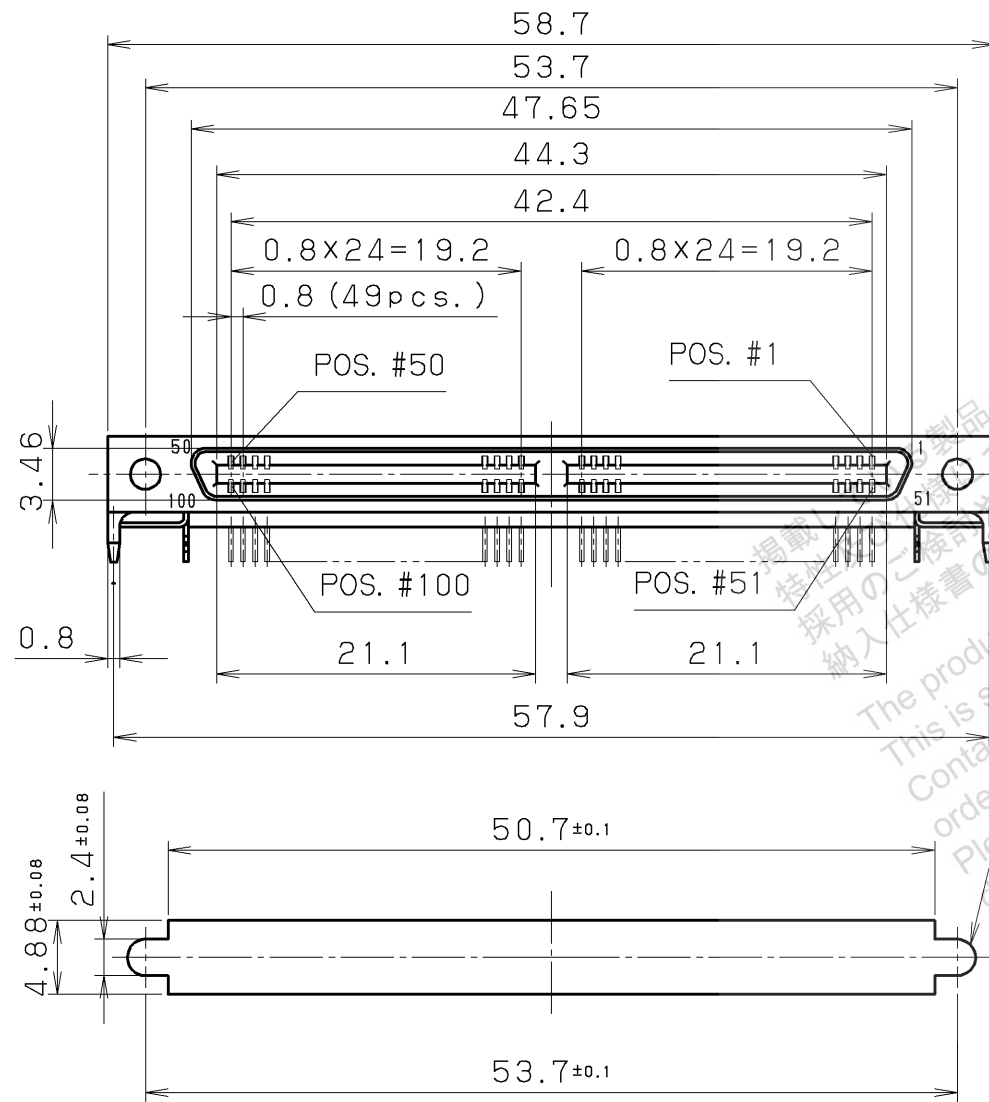


RECOMMENDED P.C.B. LAYOUT
(MOUNT SIDE VIEW)
(SCALE=3/1)



RECOMMENDED
PANEL CUT-OUT DIMENSIONS

NOTE 1. CONTACT PLATING
CONTACT AREA: GOLD 0.1 μ m MIN. OVER PALLADIUM/NICKEL 0.5 μ m
TERMINAL AREA: GOLD 0.05 μ m
ALL OVER NICKEL UNDERPLATED.

HTK

The product information in this data is for reference only.
This is subject to change without notice.
Contact our sales staff for further information before considering
ordering any of our products.
Please request Engineering Drawing for the most current and accurate
design information.
特許情報、製品の特性及び仕様は参考値です。
予告なく変更する場合があります。
採用のご検討、ご注文の際は弊社担当窓口までお問い合わせのうえ、
納入仕様書の取り交わしをお願いします。

△3				6	HOLD DOWN	PHOSPHOR BRONZE	2	NICKEL PLATING	
△2				5	SQR. NUT	BRASS	2	NICKEL PLATING	M2×0.4
△1				4	SHELL	STEEL	1	NICKEL PLATING	
				3	INSULATOR	PPS	1		UL94V-0 BLACK
				2	CONTACT	PHOSPHOR BRONZE	100	SEE NOTE 1	
				1	BRACKET	PPS	1		UL94V-0 BLACK

LTR.	DATE	BY	REV.	DESCRIPT	No.	PART NAME	MATERIAL	QTY	FINISH	NOTE
	DATE		SCALE		UNIT	3RD. A. P	HONDA TSUSHIN KOGYO CO., LTD.			
	Sep. 29. 2005		2 / 1		mm (INCH)					
	APP. DATE & REV.									
	DR.	DE.	CHK.	CHK.	APP.	NAME	0.8mm SPACING 100POS. R/A FEMALE CONNECTOR			
	Y. KATO	Y. KATO	—	C. NUNOKAWA	H. EBIHARA	PART NO.	HDRA-E100LFDT+			REV.