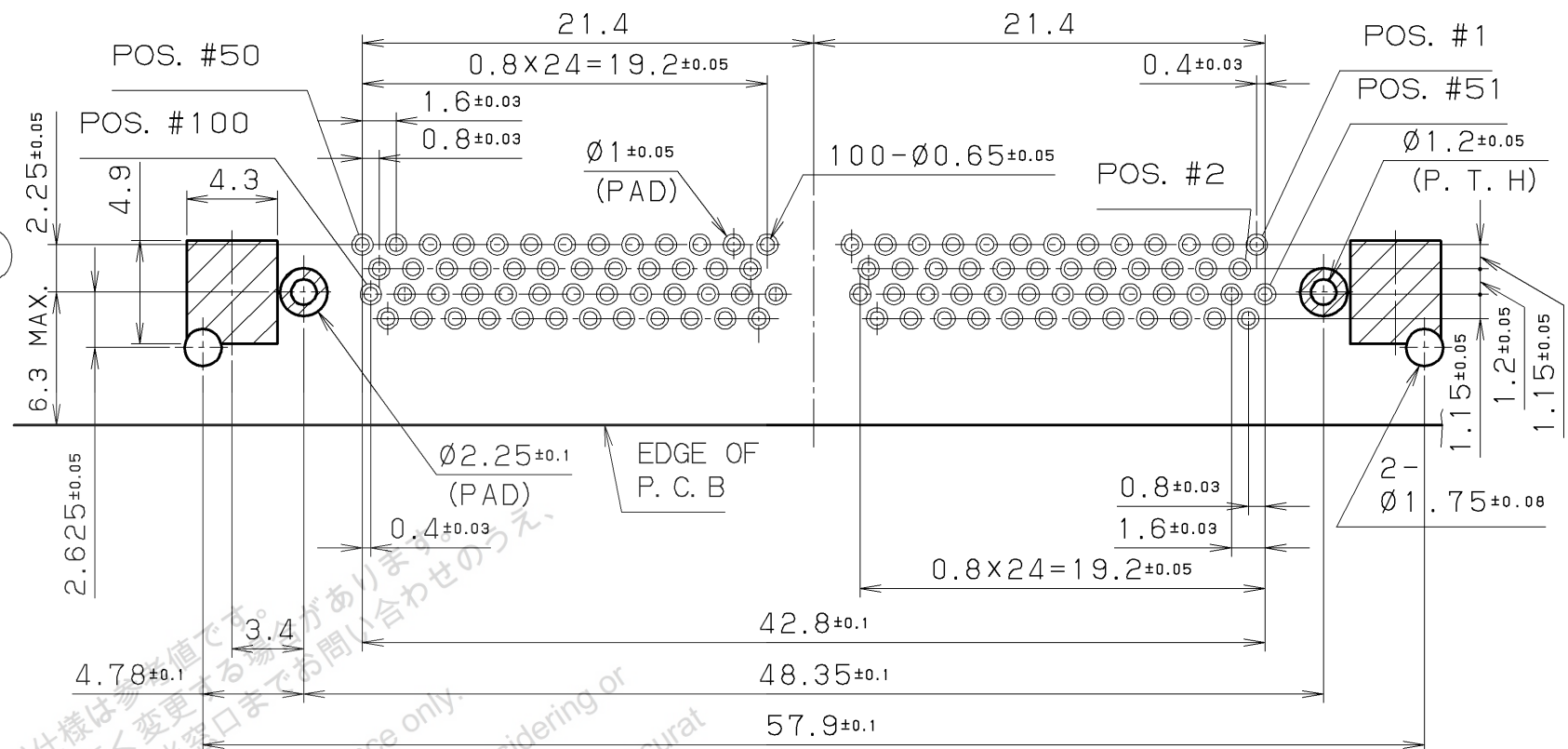
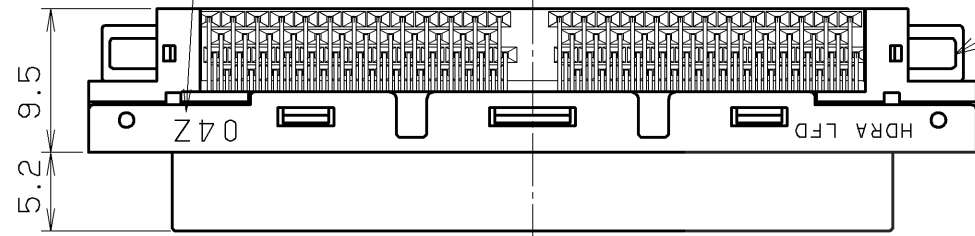
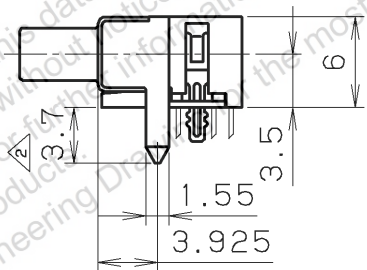
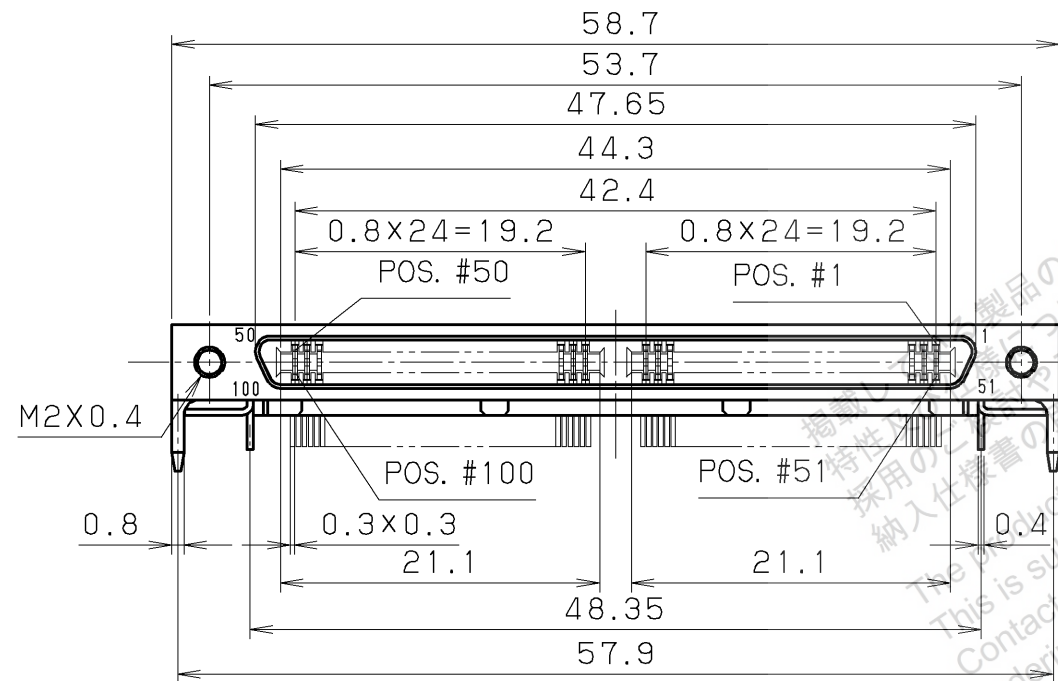


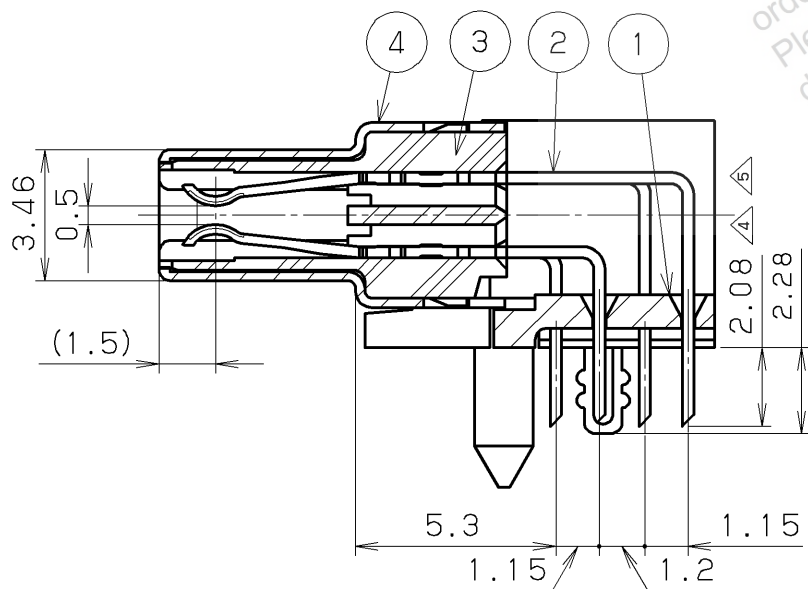
04Z  
 YEAR (2004)  
 MONTH  
 (1, 2, 3...9, X, Y, Z)



RECOMMENDED P. C. B. LAYOUT (t=1.6)  
 (MOUNT SIDE VIEW)  
 (SCALE=3/1)



NOTE 1. CONTACT PLATING  
 CONTACT AREA: GOLD 0.76 μm MIN.  
 TERMINAL AREA: GOLD 0.05 μm  
 ALL OVER NICKEL UNDERPLATED.



CONTACT DETALE (5/1)

5	Nov.24 2005	Y. K	DIM.	5	HOLD DOWN	PHOSPHOR BRONZE	2	NICKEL PLATING	
4	Apr.06 2005	M. M	DIM.	4	SHELL	STEEL	1	NICKEL PLATING	
3	Dec.13 2004	Y. K	DATE CODE	3	INSULATOR	PA9T	1		UL94V-0 BLACK
2	Oct.14 2004	Y. K	REVISE (DIM.)	2	CONTACT	PHOSPHOR BRONZE	100	SEE NOTE 1	
1	Oct.1 2004	Y. K	PCB	1	BRACKET	PPS	1		UL94V-0 BLACK

LTR.	DATE	BY	REV.	DESCRIPT	No.	PART NAME	MATERIAL	QTY	FINISH	NOTE
------	------	----	------	----------	-----	-----------	----------	-----	--------	------

DATE Sep.7.2004		SCALE 2 / 1		UNIT mm (INCH)		3RD. A. P		HONDA TSUSHIN KOGYO CO., LTD.		
APP. DATE&REV.						NAME		0.8mm SPACING 100 POS. R/A FEMALE CONNECTOR		
DR. Y. KATO		DE. Y. KATO		CHK. —		CHK. C. NUNOKAWA		APP. H. EBIHARA		PART NO. HDRA-EC100LFDT+ REV. 5E