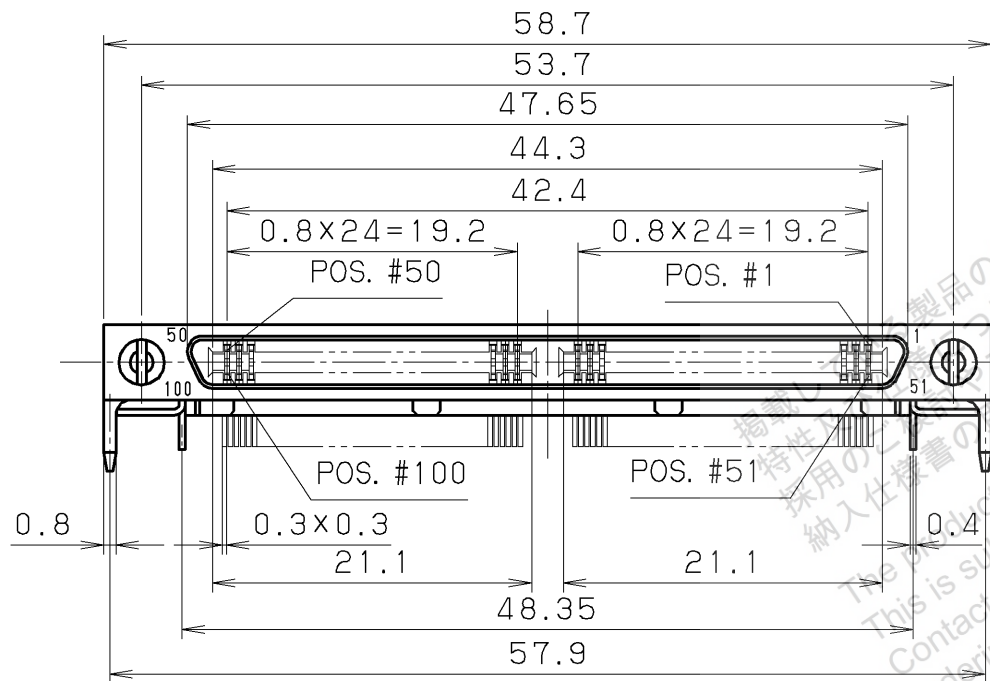
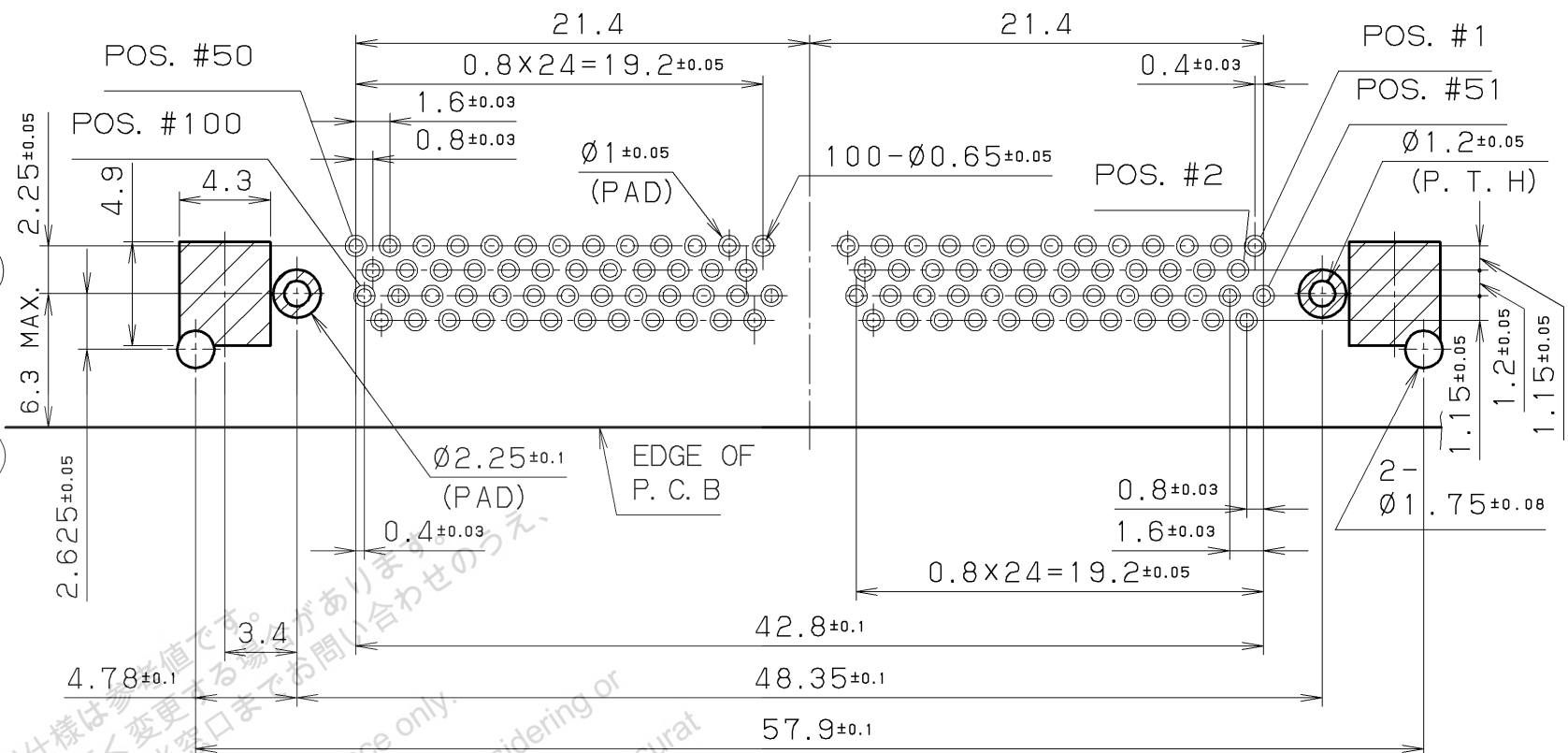
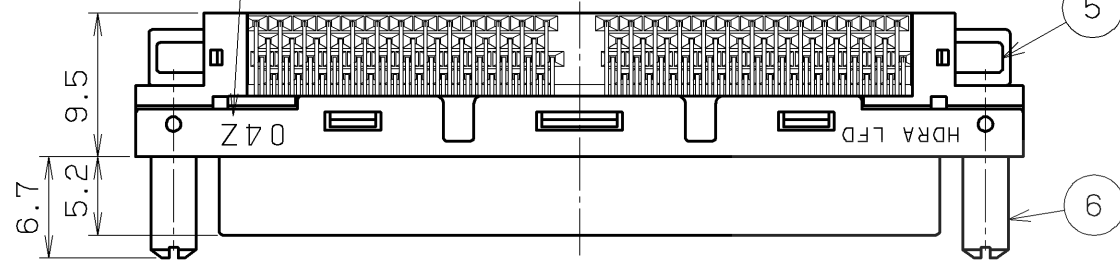


04Z
YEAR (2004)
MONTH
(1, 2, 3...9, X, Y, Z)

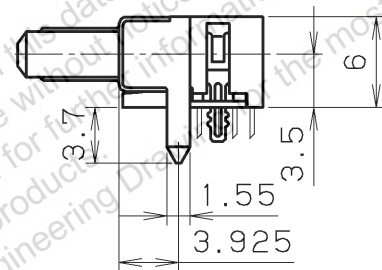
DATE CODE
INDICATION



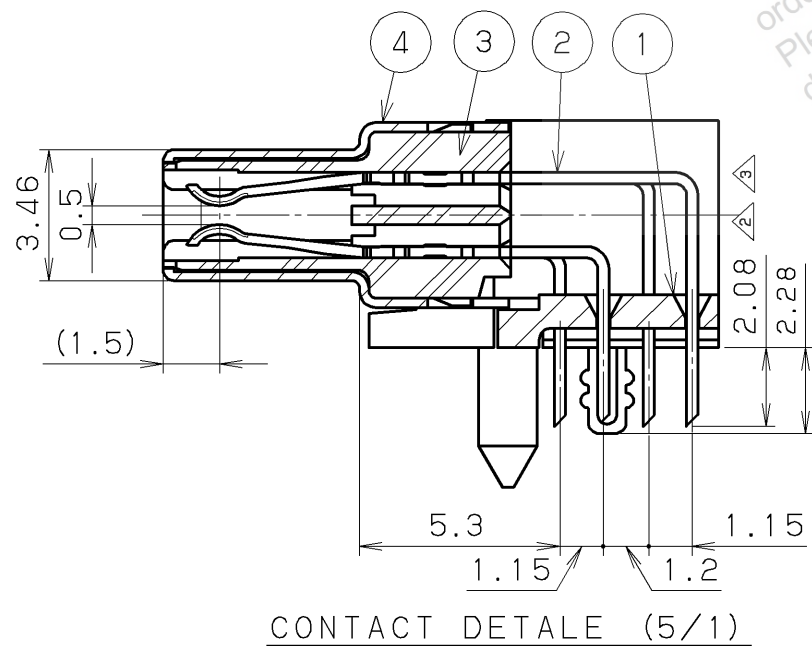
RECOMMENDED P. C. B. LAYOUT (t=1.6)
(MOUNT SIDE VIEW)
(SCALE=3/1)

▲2
▲3

▨ PAD



NOTE 1. CONTACT PLATING
CONTACT AREA: GOLD 0.76 μm MIN.
TERMINAL AREA: GOLD 0.05 μm
ALL OVER NICKEL UNDERPLATED.



6	GUIDE PIN	STEEL	2	NICKEL PLATING	
5	HOLD DOWN	PHOSPHOR BRONZE	2	NICKEL PLATING	
4	SHELL	STEEL	1	NICKEL PLATING	
3	INSULATOR	PA9T	1		UL94V-0 BLACK
2	CONTACT	PHOSPHOR BRONZE	100	SEE NOTE 1	
1	BRACKET	PPS	1		UL94V-0 BLACK

LTR.	DATE	BY	REV.	DESCRIPT	No.	PART NAME	MATERIAL	QTY	FINISH	NOTE
	DATE			SCALE		UNIT				
	Nov.24.2004			2 / 1		mm (INCH)				3RD. A. P
APP. DATE&REV.						HONDA TSUSHIN KOGYO CO., LTD.				
DR.	DE.	CHK.	CHK.	APP.	NAME	0.8mm SPACING 100 POS. R/A FEMALE CONNECTOR				
Y. KATO	Y. KATO		C. NUNOKAWA	H. EBIHARA	PART NO.	HDRA-EC100LFDT-GP+				REV. 3C