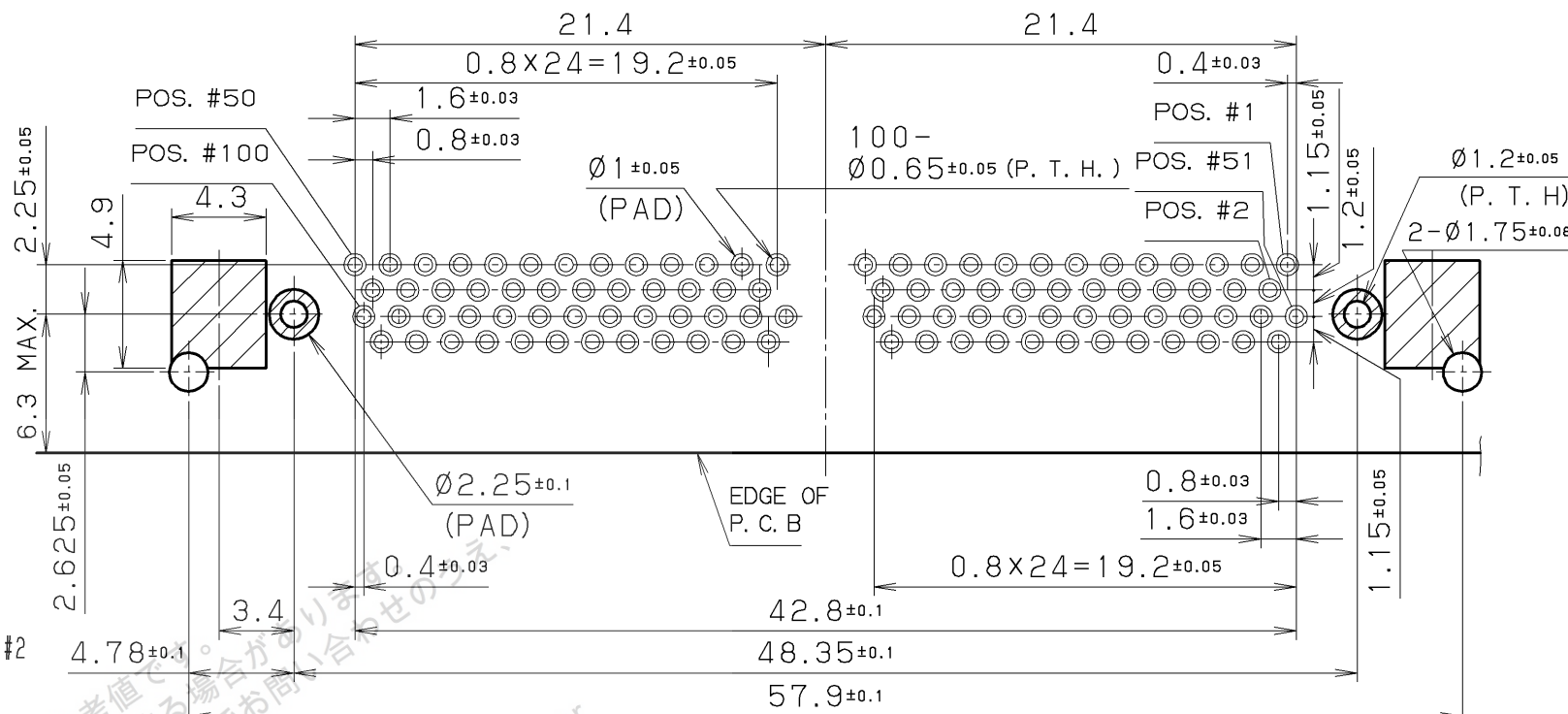
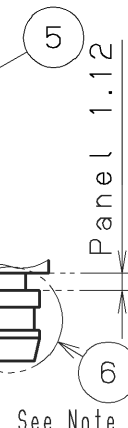
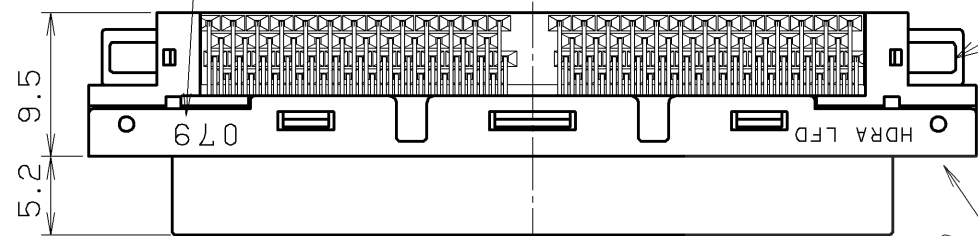
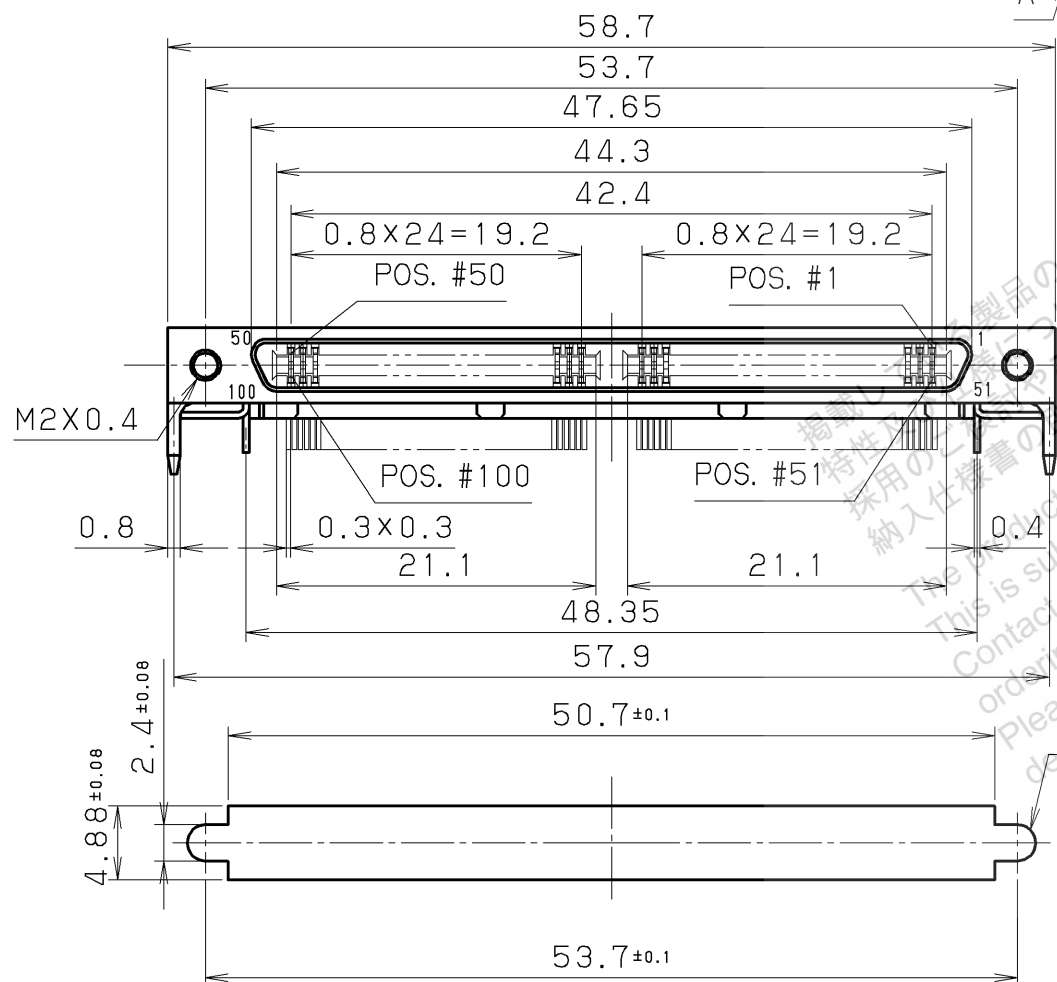


079
YEAR (2007)
MONTH
(1, 2, 3...9, X, Y, Z)

DATE CODE
INDICATION

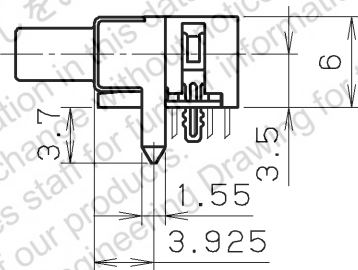


RECOMMENDED P. C. B. LAYOUT (t=1.6) (MOUNT SIDE VIEW) PAD

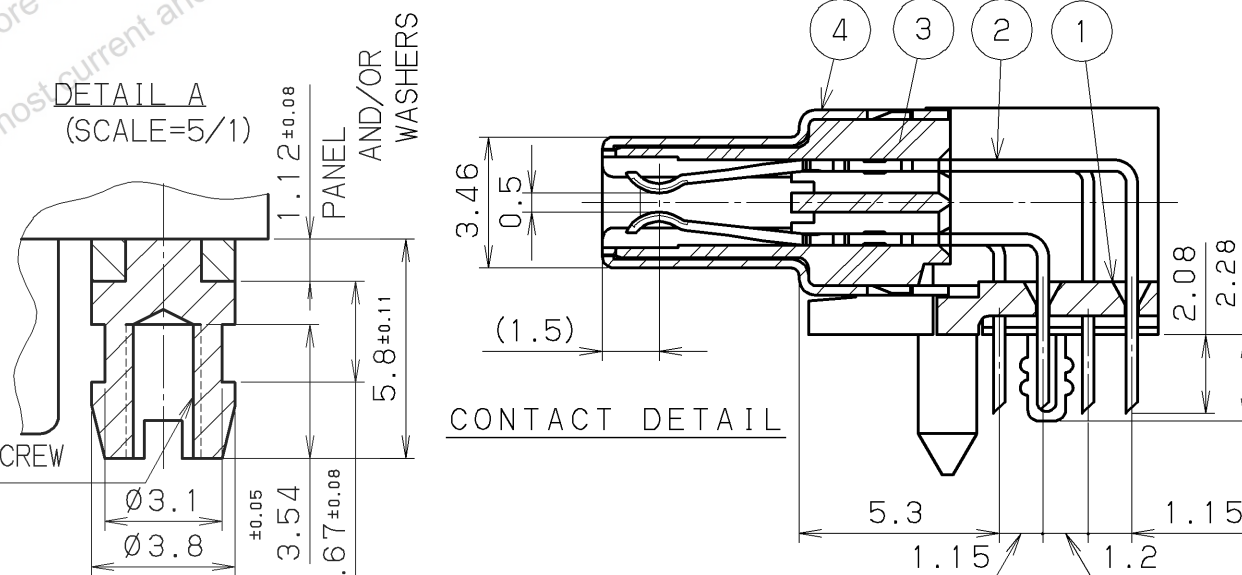


RECOMMENDED PANEL CUT-OUT DIMENSIONS (t=1.12±0.08)

NOTE #1. CONTACT PLATING
CONTACT AREA: Pd/Ni0.5µm+GOLD0.1µmMIN.
TERMINAL AREA: GOLD 0.05µm
ALL OVER NICKEL PLATED.
#2. TWO LOCK SCREWS (ITEM#6) ARE SUPPLIED WITH A CONNECTOR.



FEMALE SCREW M2x0.4



RoHS compliant

6	LOCK SCREW	STEEL	2	NICKEL PLATING	M2x0.4
5	HOLD DOWN	PHOSPHOR BRONZE	2	NICKEL PLATING	
4	SHELL	STEEL	1	NICKEL PLATING	
3	INSULATOR	PA9T	1		UL94V-0 BLACK
2	CONTACT	PHOSPHOR BRONZE	100	SEE NOTE 1	
1	BRACKET	PPS	1		UL94V-0 BLACK

LTR.	DATE	BY	REV.	DESCRIPT	No.	PART NAME	MATERIAL	QTY	FINISH	NOTE
	DATE		SCALE		UNIT	3RD. A. P	HONDA TSUSHIN KOGYO CO., LTD.			
	Sep. 21, 2007		2 / 1		mm (INCH)					
	APP. DATE & REV.									
	DR.	DE.	CHK.	CHK.	APP.	NAME	0.8mm SPACING 100 POS. R/A FEMALE CONNECTOR			
	Y. KATO	Y. KATO			C. NUNOKAWA	PART NO.	HDRA-EC100LFDT-SL+		REV.	A