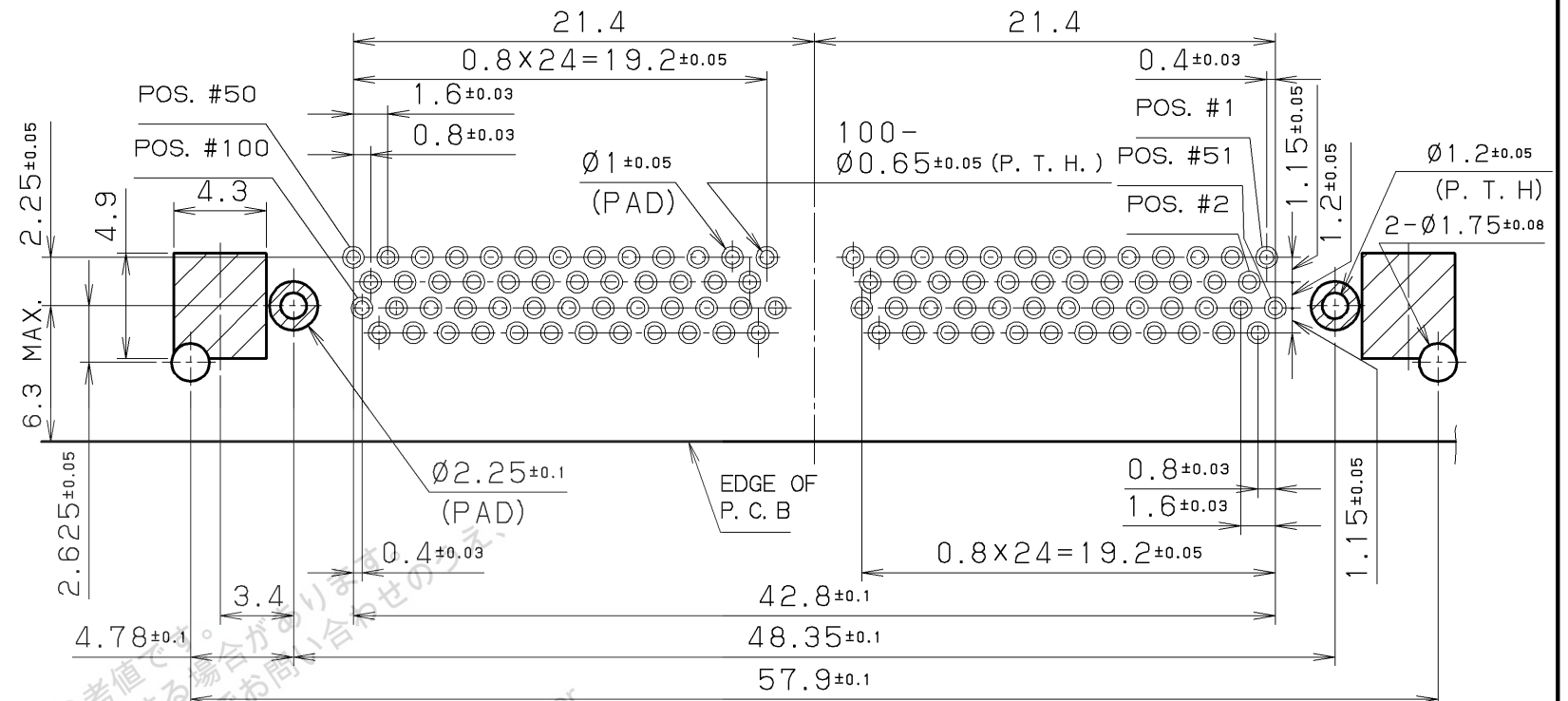
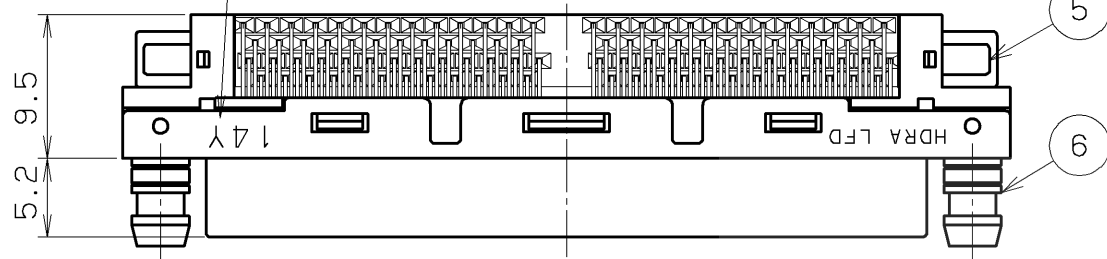
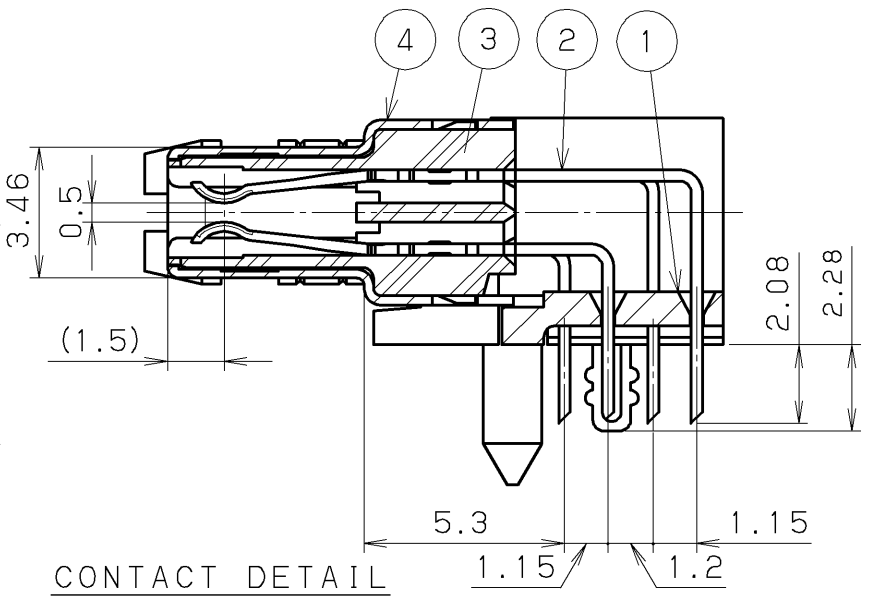
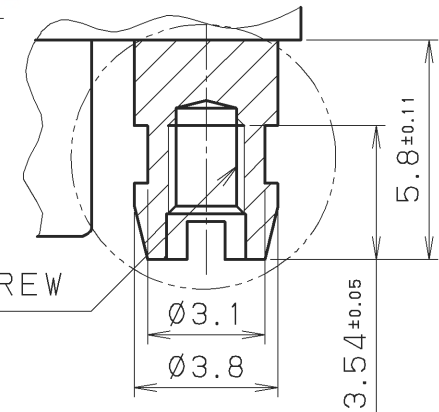
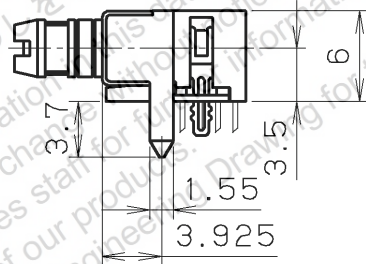
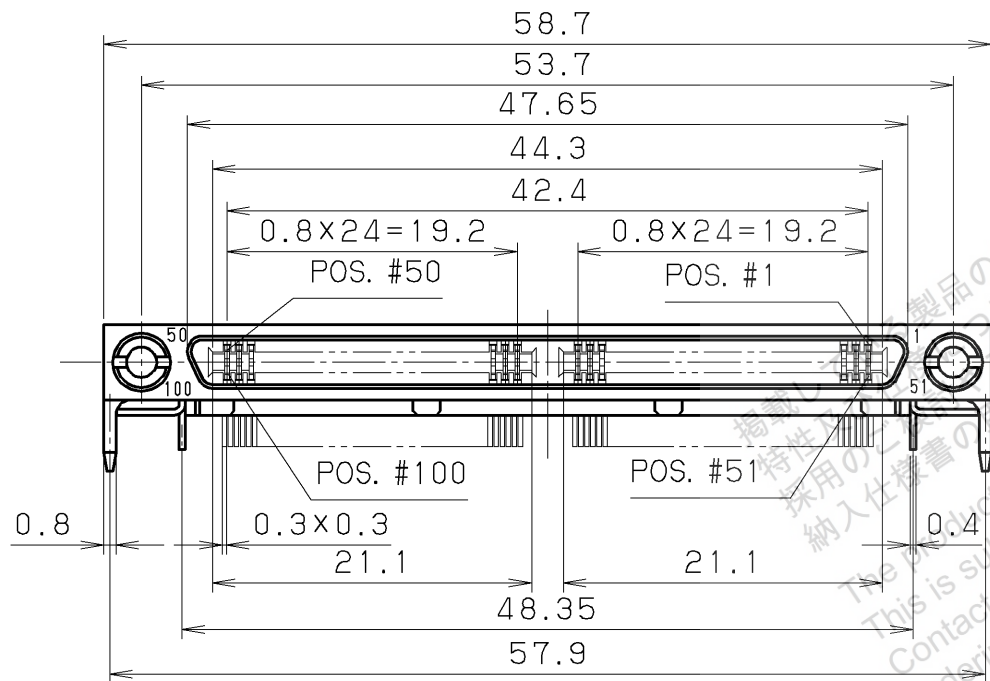


14Y
YEAR (2014)
MONTH
(1, 2, 3...9, X, Y, Z)
DATE CODE
INDICATION



RECOMMENDED P. C. B. LAYOUT (t=1.6) (MOUNT SIDE VIEW) PAD



NOTE #1. CONTACT PLATING
CONTACT AREA: Pd/Ni 0.5µm+GOLD 0.1µm MIN.
TERMINAL AREA: GOLD 0.05µm
ALL OVER NICKEL PLATED.

RoHS compliant

6	LOCK SCREW	STEEL	2	NICKEL PLATING	M2x0.4
5	HOLD DOWN	PHOSPHOR BRONZE	2	NICKEL PLATING	
4	SHELL	STEEL	1	NICKEL PLATING	
3	INSULATOR	PA9T	1		UL94V-0 BLACK
2	CONTACT	PHOSPHOR BRONZE	100	SEE NOTE 1	
1	BRACKET	PPS	1		UL94V-0 BLACK

LTR.	DATE	BY	REV.	DESCRIPT	No.	PART NAME	MATERIAL	QTY	FINISH	NOTE
	Nov. 25, 2014		2 / 1			3RD. A. P				
APP. DATE & REV.						HTK HONDA TSUSHIN KOGYO CO., LTD.				
DR.	DE.	CHK.	CHK.	APP.	NAME		0.8mm SPACING 100 POS. R/A FEMALE CONNECTOR			
A. TASHIRO	A. TASHIRO	K. OOKU		Y. KATO	PART NO.		HDRA-EC100LFDT-SLD+ REV.			