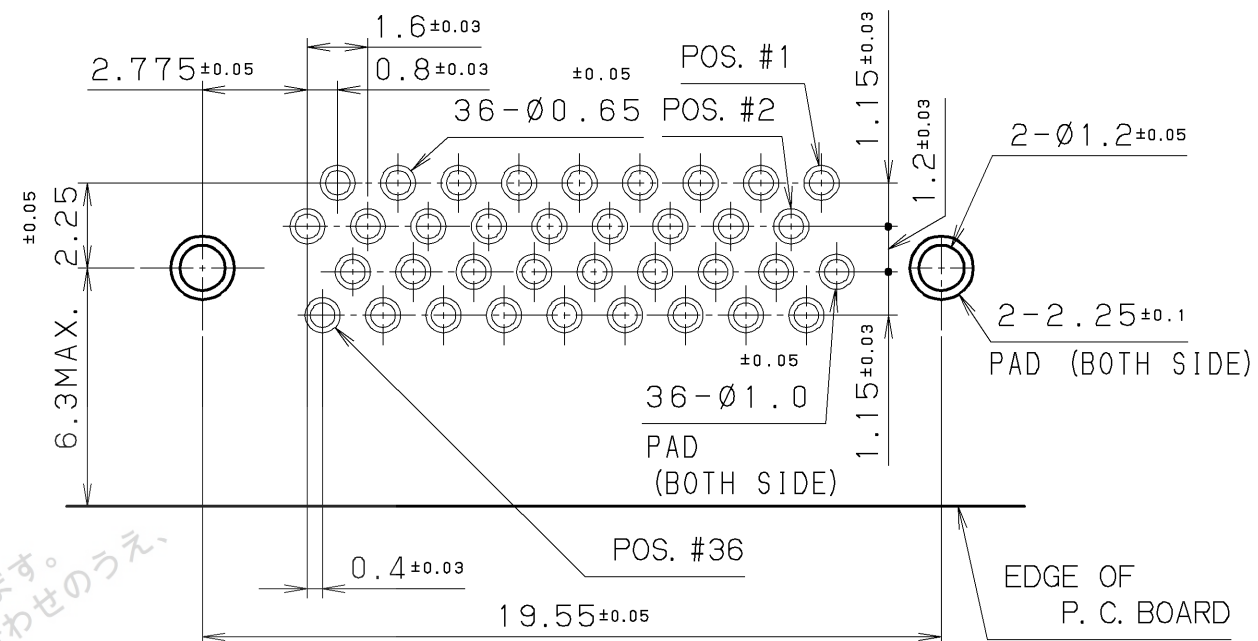
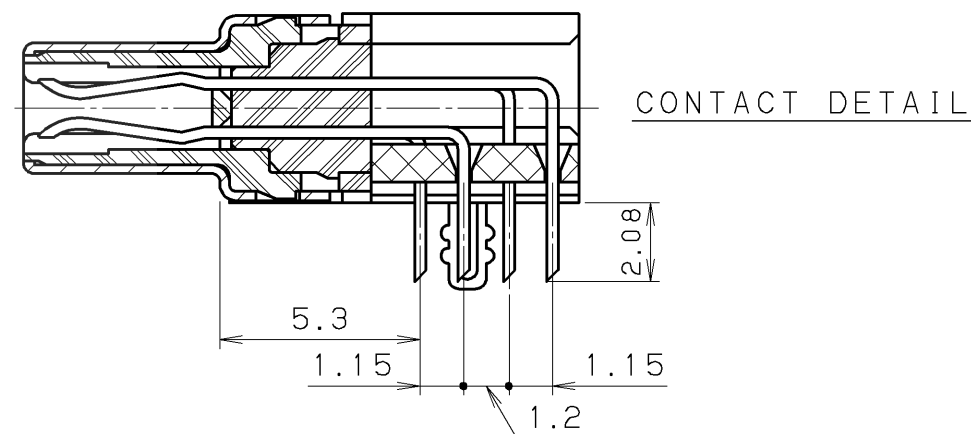


RECOMMENDED
PANEL CUT-OUT DIMENSIONS
($t=0.8\pm0.08$)



RECOMMENDED P.C.B. LAYOUT
(MOUNT SIDE VIEW)
(SCALE=5/1)



CONTACT DETAIL

NOTE 1. CONTACT PLATING
CONTACT AREA: GOLD $0.1\ \mu\text{m}$ MIN. OVER PALLADIUM/NICKEL $0.5\ \mu\text{m}$
TERMINAL AREA: GOLD $0.05\ \mu\text{m}$
ALL OVER NICKEL UNDERPLATED.

2. CONTACTS ARE INSERT MOLDED.

3. TWO LOCK SCREWS (ITEM #6) ARE SUPPLIED WITH CONNECTOR.

7	BOARD LOCK	PHOSPHOR BRONZE	2	NICKEL PLATING	
6	LOCK SCREW	STEEL	2	NICKEL PLATING	
5	SQR. NUT	BRASS	2	NICKEL PLATING	M2×0.4
4	SHELL	STEEL	1	NICKEL PLATING	
3	INSULATOR	LCP	1		UL94V-0 BLACK
2	CONTACT	PHOSPHOR BRONZE	36	SEE NOTE #1	
1	BRACKET	PPS	1		UL94V-0 BLACK

LTR.	DATE	BY	REV.	DESCRIPT	No.	PART NAME	MATERIAL	QTY	FINISH	NOTE
	DATE			SCALE		UNIT				
	Jan.23, 2007			2 / 1		mm (INCH)			3RD. A. P	
	APP. DATE&REV.				HONDA TSUSHIN KOGYO CO., LTD.					
	DR.	DE.	CHK.	CHK.	APP.	NAME	0.8mm SPACING 36POS. R/A FEMALE CONNECTOR			
	Y. KATO	Y. KATO	—	C. NUMOKAWA	H. EBIHARA	PART NO.	HDRA-EA36LFDT-SLC+			REV.