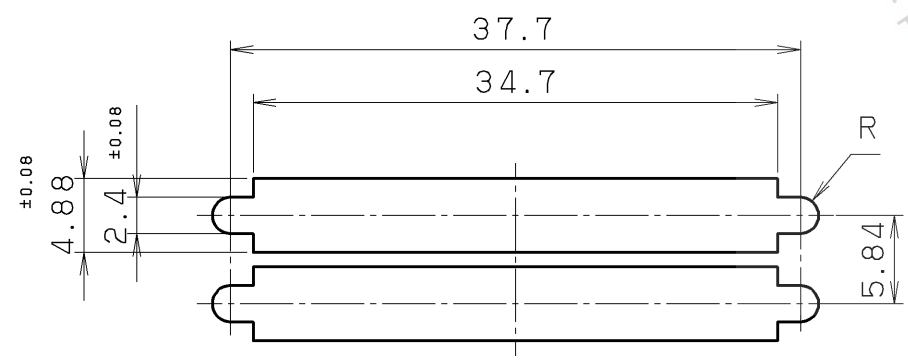
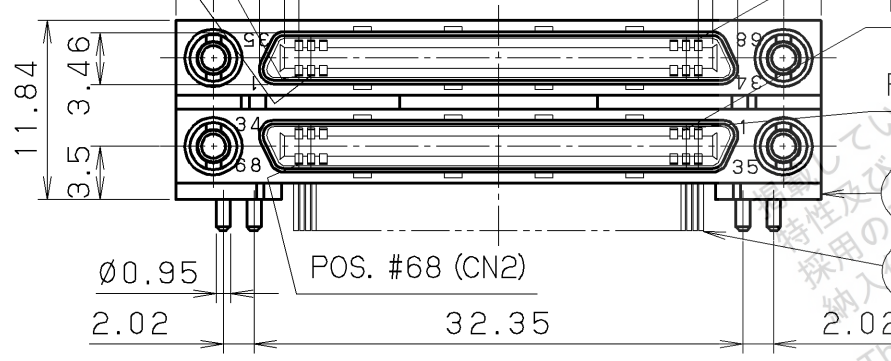
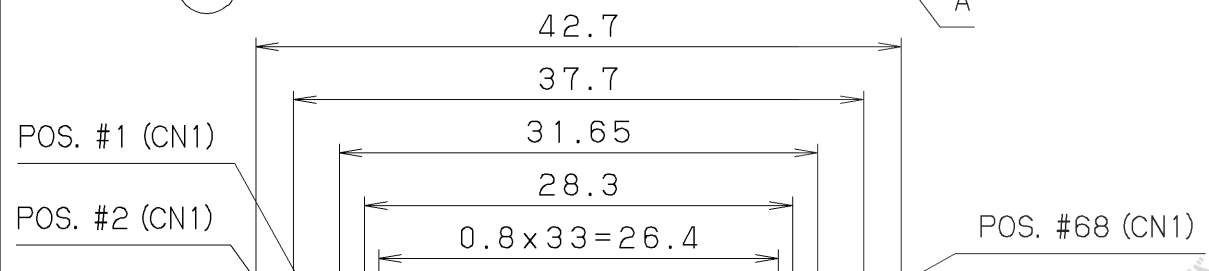
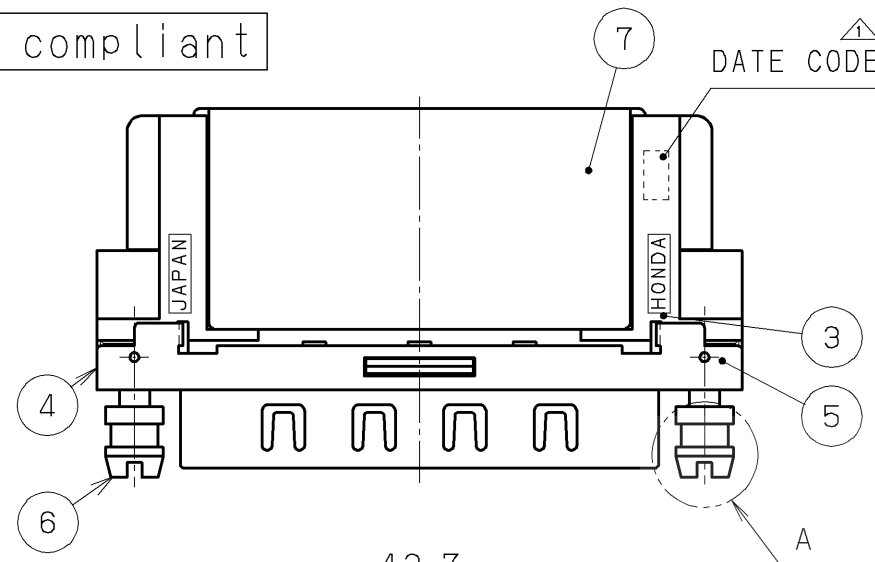


RoHS compliant

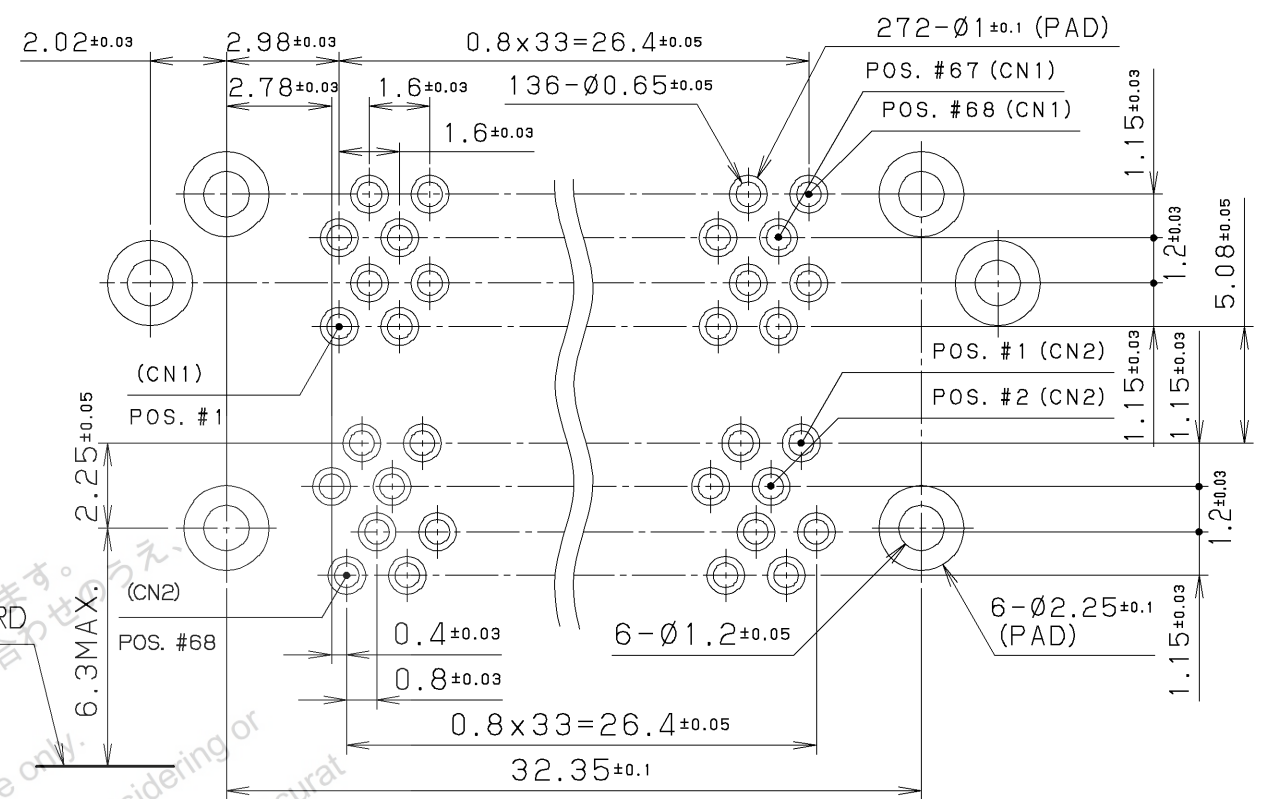


PANEL CUT-OUT DIMENSIONS  
(t=1.12±0.08)

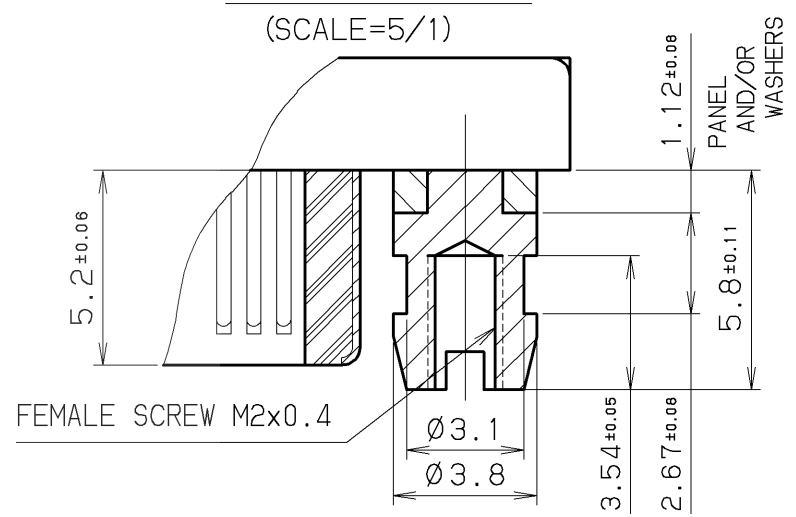
NOTE 1. CONTACT PLATING  
CONTACT AREA: GOLD 0.1 μm MIN. OVER PALLADIUM/NICKEL 0.5 μm  
TERMINAL AREA: TIN/LEAD 2.6~5 μm  
ALL OVER NICKEL UNDERPLATED.

2. FOUR LOCK SCREW (ITEM#6) ARE SUPPLIED WITH A CONNECTOR.

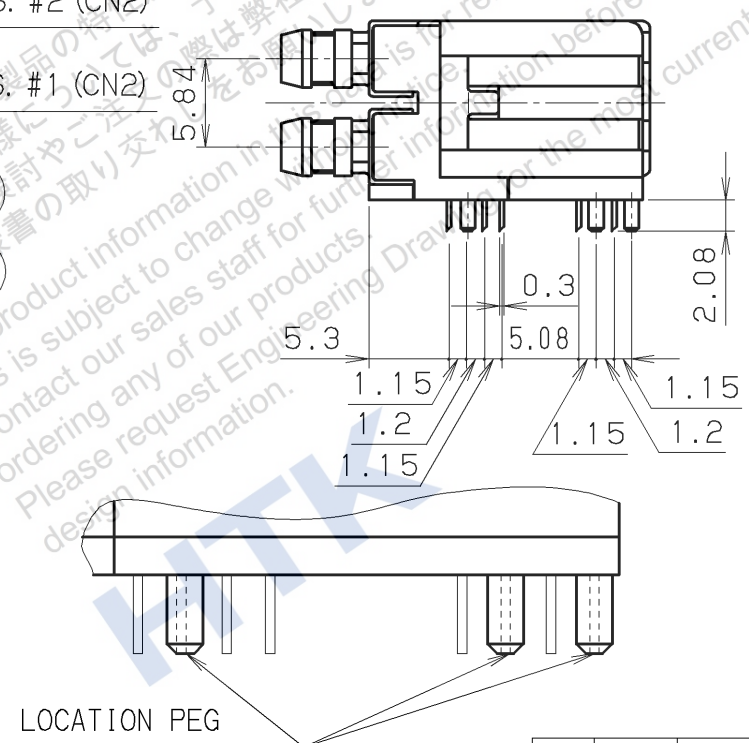
3. THIS PRODUCT SATISFIES THE DIRECTIVE OF RoHS.



RECOMMENDED P. C. B. LAYOUT t=1.6±0.1  
(MOUNT SIDE VIEW)  
(SCALE=5/1)



DETAIL A  
(SCALE=5/1)



LOCATION PEG

7	PROTECT COVER	PPS	1		UL94V-0 BLACK
6	LOCK SCREW	STEEL	4	NICKEL PLATING	
5	SQR. NUT	BRASS	4	NICKEL PLATING	M2x0.4
4	SHELL	STEEL	2	NICKEL PLATING	
3	INSULATOR	PPS	1		UL94V-0 BLACK
2	CONTACT	PHOSPHOR BRONZE	136	SEE NOTE 1	
1	BRACKET	PPS	1		UL94V-0 BLACK

△										
△										
△	Mar. 16 2021	S. M	Add	DATE CODE						
LTR.	DATE	BY	REV.	DESCRIPT	No.	PART NAME	MATERIAL	QTY	FINISH	NOTE
	DATE		SCALE	UNIT	3RD. A. P	<b>HTK</b> HONDA TSUSHIN KOGYO CO., LTD.				
	AUG 05, 2009		2 / 1	mm (INCH)		APP. DATE&REV.				
	DR.	DE.	CHK.	CHK.	APP.	NAME	0.8mm SPACING 68POS. R/A DUAL STACKING FEMALE CONNECTOR			
	S. MURAKAMI	S. MURAKAMI	S. YOSHIDA		K. OOAKU	PART NO.	HDRA-E68W1LFDTC-SL+	REV.	1 A	