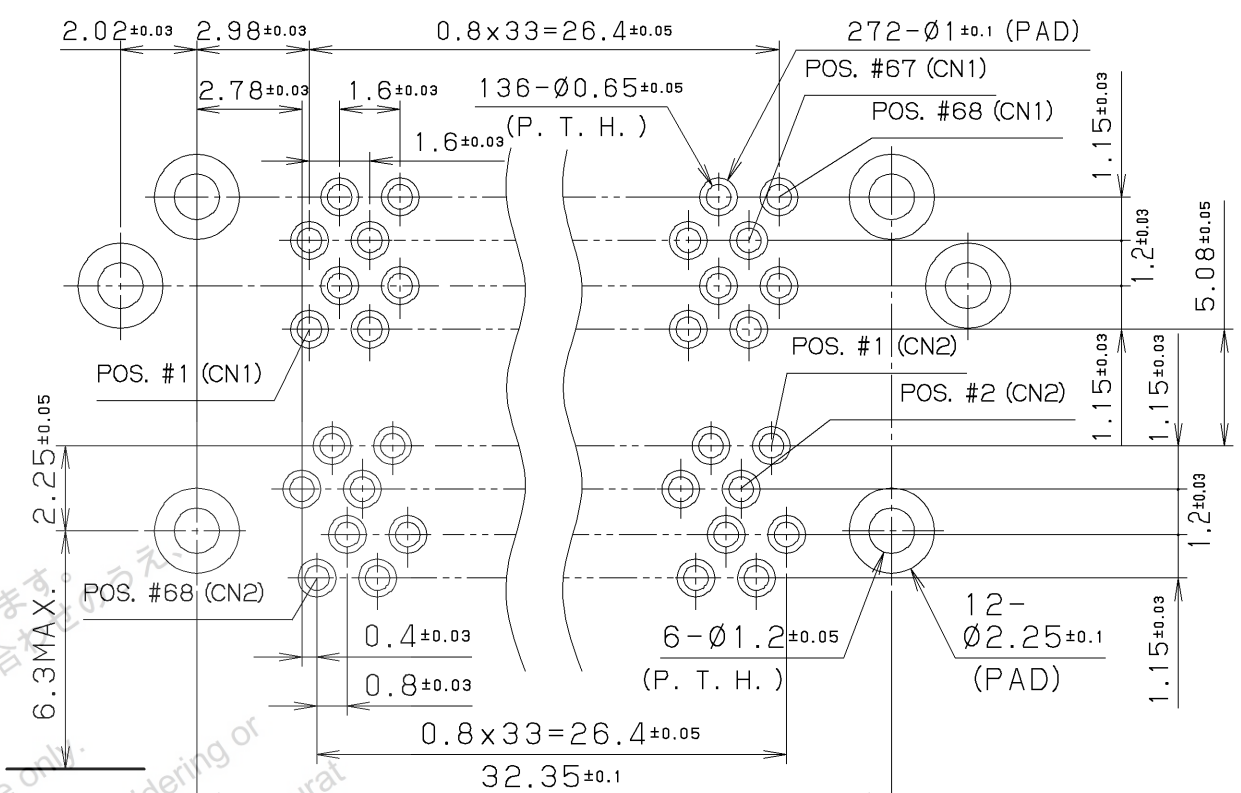
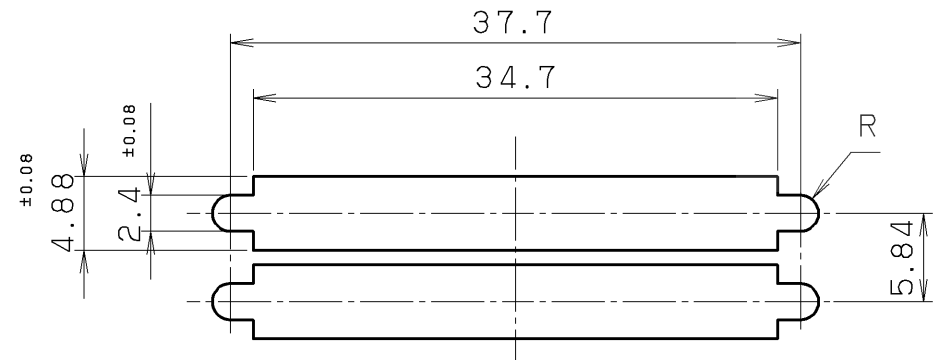
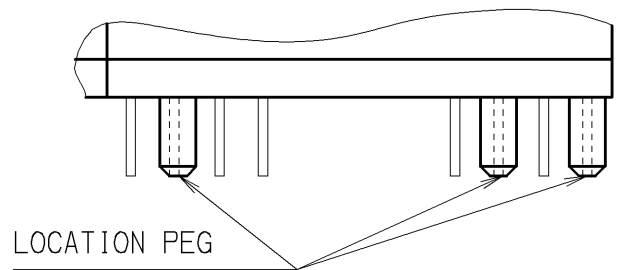
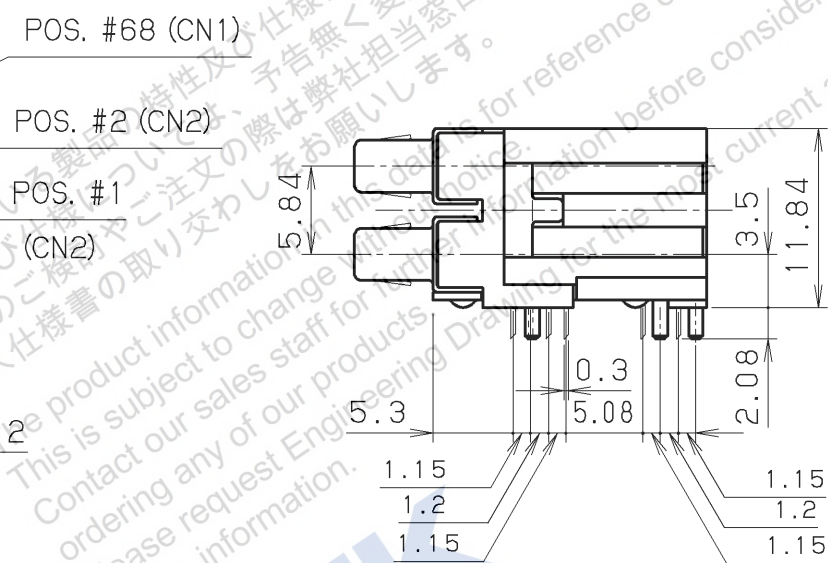
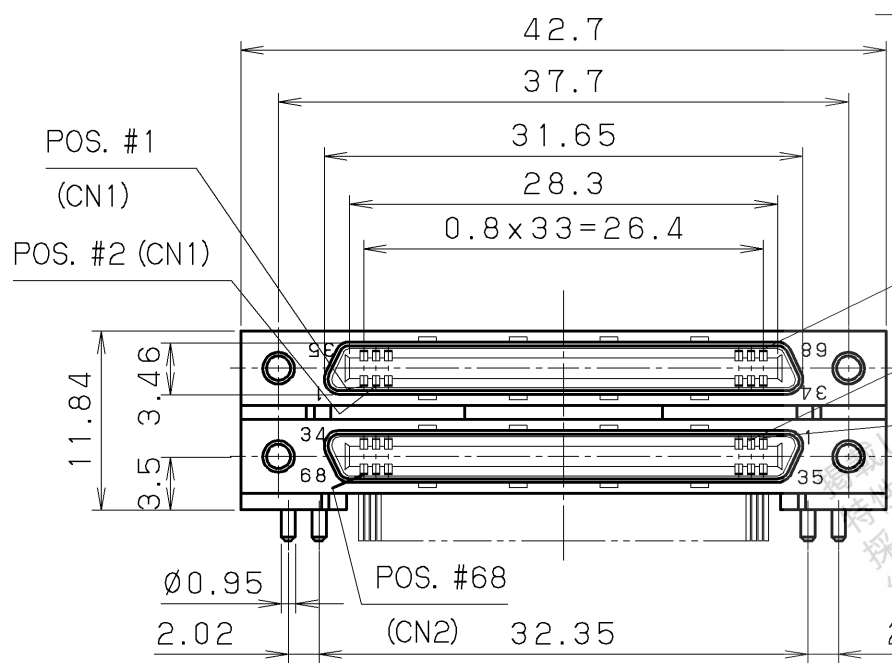


NOTE #2.
FOUR LOCK SCREWS (ITEM#7)
ARE SUPPLIED WITH CONNECTOR.



RECOMMENDED P. C. B. LAYOUT t=1.6±0.1 (SCALE=5/1)
(MOUNT SIDE VIEW)



PANEL CUT-OUT DIMENSIONS
(t=1.12±0.08)

7	LOCK SCREW	STEEL	4	NICKEL PLATING	M2x0.4 SEE NOTE #2
6	SQR. NUT	BRASS	4	NICKEL PLATING	M2x0.4
5	SHELL	STEEL	2	NICKEL PLATING	
4	INSULATOR B	LCP	2		UL94V-0 BLACK
3	INSULATOR A	PPS	1		UL94V-0 BLACK
2	CONTACT	PHOSPHOR BRONZE	136	SEE NOTE 1	
1	BRACKET	PPS	1		UL94V-0 BLACK

△										
△										
△	Mar.16 2021	S. M	Add DATE CODE							
LTR.	DATE	BY	REV.	DESCRIPT	No.	PART NAME	MATERIAL	QTY	FINISH	NOTE

DATE		SCALE		UNIT		3RD. A. P		HTK HONDA TSUSHIN KOGYO CO., LTD.			
Jan.26.2005		2 / 1		mm (INCH)							
APP. DATE&REV.		DR.		DE.		CHK.		CHK.		APP.	
		S. MURAKAMI		S. MURAKAMI		S. YOSHIDA		—		K. OOKU	
NAME		PART NO.		REV.		1 A		0.8mm SPACING 68POS. R/A DUAL STACKING FEMALE CONNECTOR			
		HDRA-E68W1LFDT-SL+									

NOTE 1. CONTACT PLATING
CONTACT AREA: GOLD 0.1 μm MIN. OVER PALLADIUM/NICKEL 0.5 μm
TERMINAL AREA: GOLD 0.05 μm
ALL OVER NICKEL UNDERPLATED.