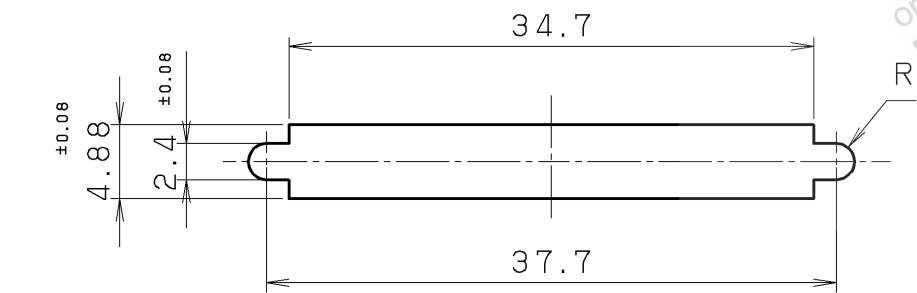
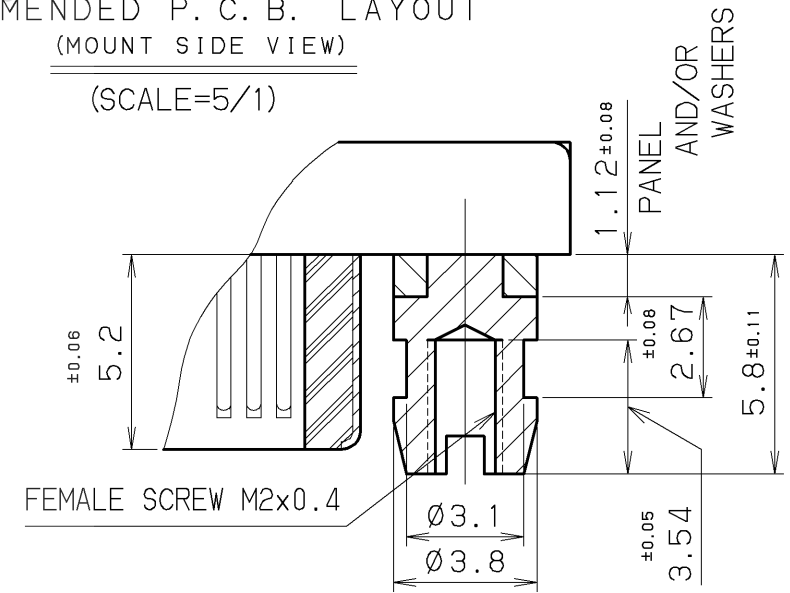


RECOMMENDED P.C.B. LAYOUT
(MOUNT SIDE VIEW)
(SCALE=5/1)



RECOMMENDED
PANEL CUT-OUT DIMENSIONS
(t=1.12±0.08)

NOTE 1. CONTACT PLATING
CONTACT AREA: GOLD 0.1 μm MIN. OVER PALLADIUM/NICKEL 0.5 μm
TERMINAL AREA: GOLD FLASH.
ALL OVER NICKEL UNDERPLATED.
2. TWO LOCK SCREWS (ITEM #5) ARE SUPPLIED WITH CONNECTOR.

6	HOLD DOWN	PHOSPHOR BRONZE	2	NICKEL	M2x0.4
5	LOCK SCREW	STEEL	2	NICKEL	M2
4	SHELL	STEEL	1	NICKEL	—
3	INSULATOR	PA9T	1	—	UL94V-0 BLACK
2	CONTACT	PHOSPHOR BRONZE	68	SEE NOTE 1	—
1	BRACKET	PPS	1	—	UL94V-0 BLACK

LTR.	DATE	BY	REV.	DESCRIPT	No.	PART NAME	MATERIAL	QTY	FINISH	NOTE
	DATE									
	Jun. 10. 2004									
	SCALE									
	2 / 1									
	UNIT									
	mm (INCH)									
	3RD. A. P									
	APP. DATE & REV.									
	DR.	DE.	CHK.	CHK.	APP.	NAME	0.8mm SPACING 68POS. R/A FEMALE CONNECTOR (ONE MOLD TYPE)			
	R. DOJINAGA	R. DOJINAGA	M. KASAHARA	—	S. WATANABE	PART NO.	HDRA-EC68LFDT-SL+			REV.