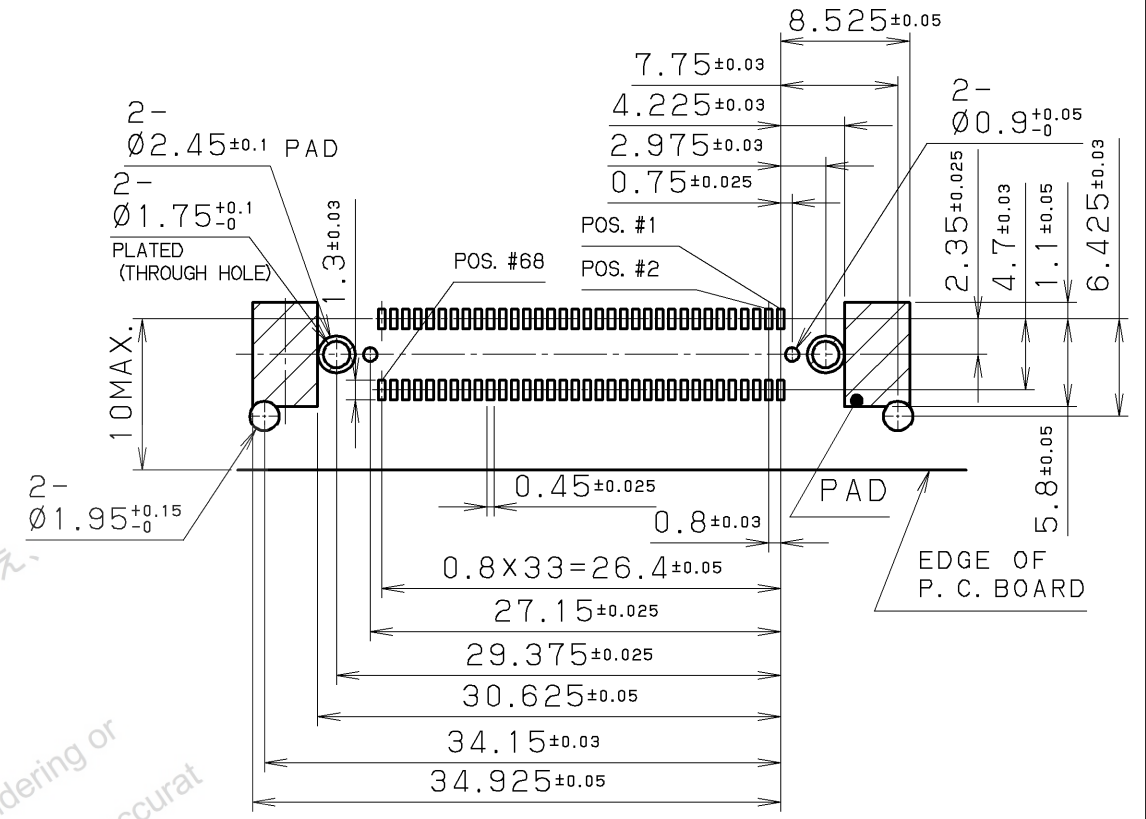


NOTE 1. CONTACT PLATING
 CONTACT AREA: GOLD 0.76μm MIN.
 TERMINAL AREA: GOLD 0.2μm
 ALL OVER NICKEL UNDERPLATED

2. TWO LOCK SCREWS (ITEM #6) ARE SUPPLIED WITH CONNECTOR.

3. MATING BOARD CONNECTOR P/N: HDRA-ED68FYG+

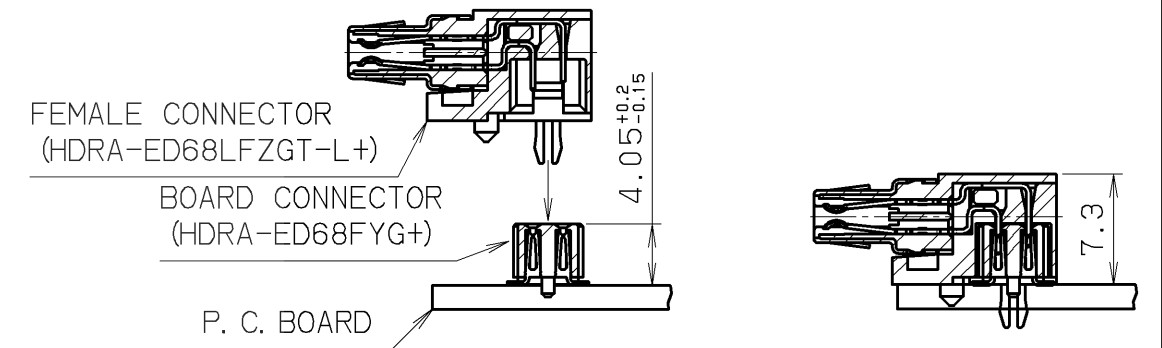
4. MATING CABLE CONNECTOR P/N: HDRA-E68M () 1+



RECOMMENDED P. C. B. LAYOUT FOR HDRA-ED68LFZGT-L+ AND HDRA-ED68FYG+ CONNECTORS (CONNECTOR SIDE VIEW)

FEMALE CONNECTOR (HDRA-ED68LFZGT-L+) IS ASSEMBLED TO BOARD CONNECTOR (HDRA-ED68FYG+) SHOWN IN THE FOLLOWING SKETCH.

HOW TO ASSEMBLE.



7	EARTH PLATE	PHOSPHOR BRONZE	2	TIN PLATING	
6	LOCK SCREW	STEEL	2	NICKEL PLATING	SEE NOTE.2
5	SHELL	STEEL	1	NICKEL PLATING	
4	INSULATOR C	PA9T	1		UL94V-0 BLACK
3	INSULATOR B	PA9T	1		UL94V-0 BLACK
2	INSULATOR A	PA9T	1		UL94V-0 BLACK
1	CONTACT	PHOSPHOR BRONZE	68	SEE NOTE.1	

LTR.	DATE	BY	REV.	DESCRIPT	No.	PART NAME	MATERIAL	QTY	FINISH	NOTE
	Nov.21, 2006		2 / 1							
DATE						SCALE	UNIT	3RD. A. P		
APP. DATE & REV.						HONDA TSUSHIN KOGYO CO., LTD.				
DR.	DE.	CHK.	CHK.	APP.	NAME		0.8mm SPACING 68POS. R/A SINGLE STACK FEMALE CONNECTOR			
Y. KATO	Y. KATO	—	C. NUNOKAWA	H. EBIHARA	PART NO.	HDRA-ED68LFZGT-L+			REV.	