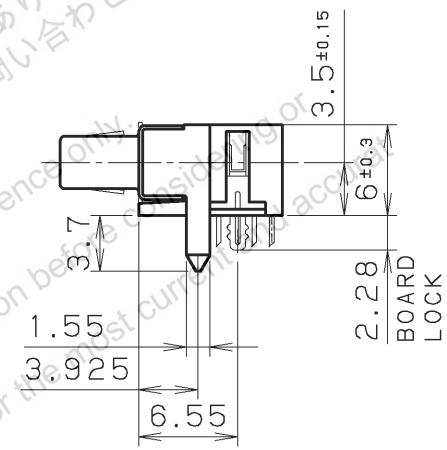
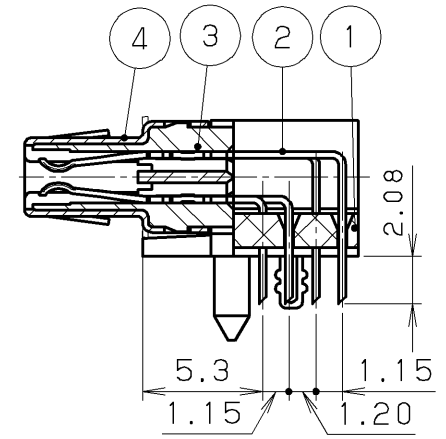


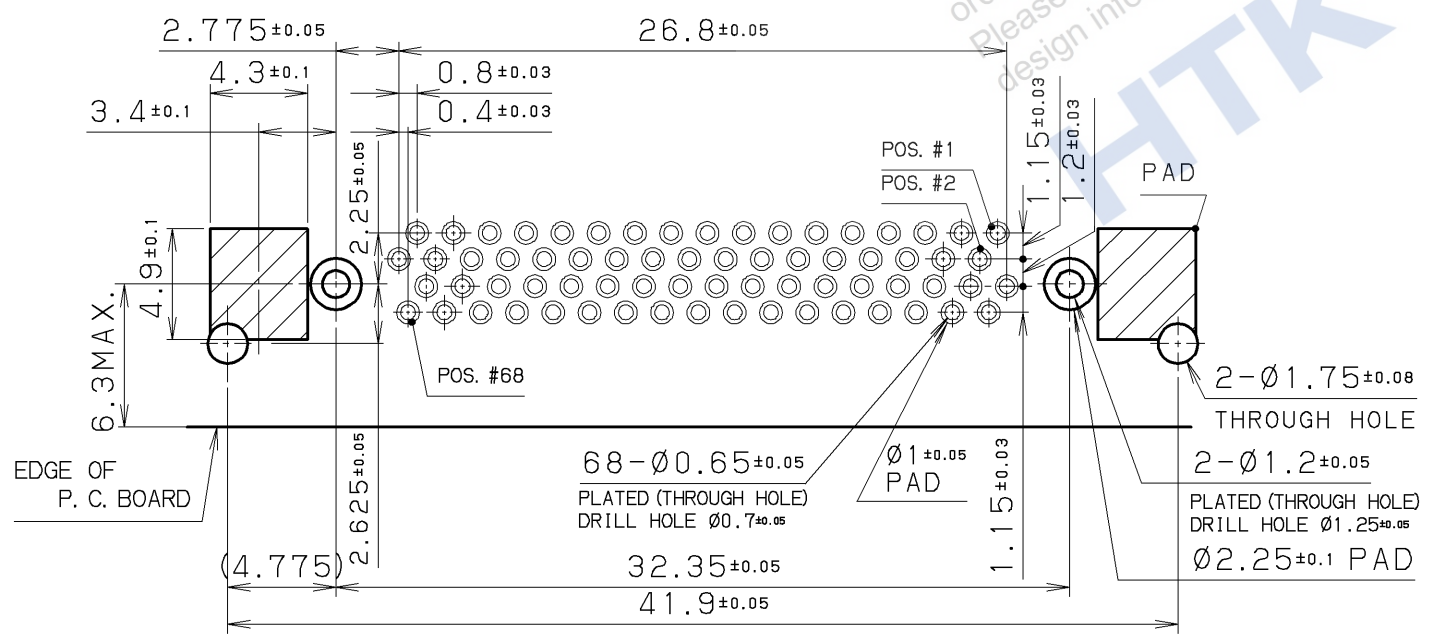
NOTE 1. CONTACT PLATING
 CONTACT AREA: GOLD 0.1 μm MIN. OVER PALLADIUM/NICKEL 0.5 μm
 TERMINAL AREA: GOLD 0.05 μm
 ALL OVER NICKEL UNDERPLATED.



RECOMMENDED PANEL CUT-OUT DIMENSIONS



CONTACT DETAIL



RECOMMENDED P. C. B. LAYOUT (MOUNT SIDE VIEW)

5	HOLD DOWN	PHOSPHOR BRONZE	2	NICKEL PLATING	M2x0.4
4	SHELL	STEEL	1	NICKEL PLATING	—
3	INSULATOR	PA9T	1	—	UL94V-0 BLACK
2	CONTACT	PHOSPHOR BRONZE	68	SEE NOTE 1	—
1	BRACKET	PPS	1	—	UL94V-0 BLACK

LTR.	DATE	BY	REV.	DESCRIPT	No.	PART NAME	MATERIAL	QTY	FINISH	NOTE	
	DATE			SCALE		UNIT					
	Feb.27.2018			2 / 1		mm (INCH)				3RD. A. P	
	APP. DATE&REV.										
	DR.	DE.	CHK.	CHK.	APP.						
	S. MURAKAMI	S. MURAKAMI	S. YOSHIDA	—	Y. KATO						
	NAME		0.8mm SPACING 68POS. R/A FEMALE CONNECTOR (ONE MOLD TYPE)								
	PART NO.		HDRA-EC68LFD1T+							REV.	

HTK HONDA TSUSHIN KOGYO CO., LTD.