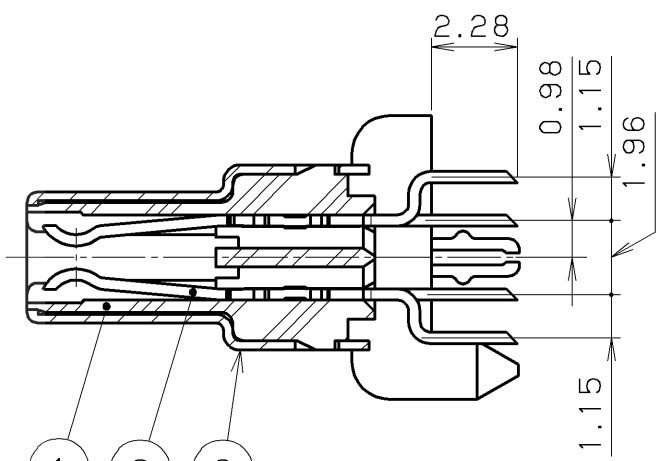
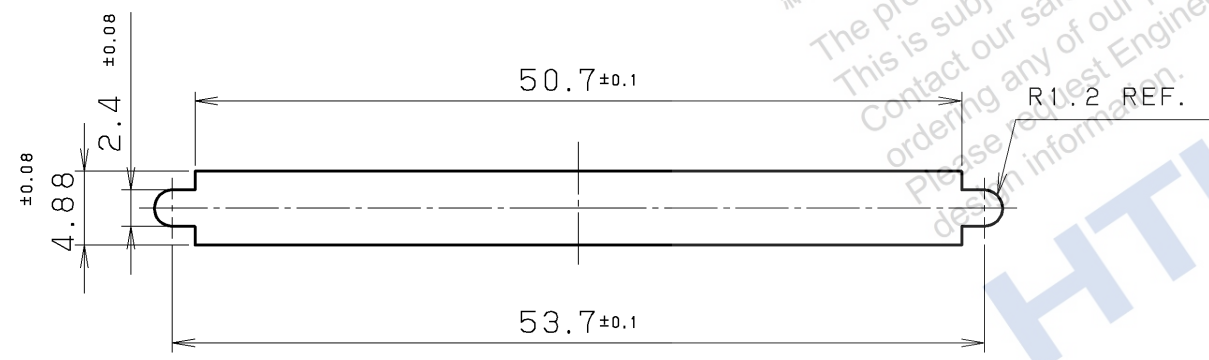


RECOMMENDED P.C.B. LAYOUT (MOUNT SIDE VIEW) PAD



CONTACT DETAIL (5/1)



RECOMMENDED PANEL CUT-OUT DIMENSIONS

NOTE 1. CONTACT PLATING
 CONTACT AREA: GOLD 0.76 μm MIN.
 TERMINAL AREA: GOLD 0.05 μm
 ALL OVER NICKEL UNDERPLATED.

5	HOLD DOWN	PHOSPHOR BRONZE	2	NICKEL PLATING	
4	SQR. NUT	BRASS	2	NICKEL PLATING	M2x0.4
3	SHELL	STEEL	1	NICKEL PLATING	
2	CONTACT	PHOSPHOR BRONZE	100	SEE NOTE 1	
1	INSULATOR	PA9T	1		UL94V-0 BLACK

LTR.	DATE	BY	REV.	DESCRIPT	No.	PART NAME	MATERIAL	QTY	FINISH	NOTE
	May.19 2006	Y. K		Shape						
DATE: Dec. 7. 2005						SCALE: 2 / 1		UNIT: mm (INCH)		3RD. A. P
APP. DATE & REV.						HONDA TSUSHIN KOGYO CO., LTD.				
DR. Y. KATO						DE. Y. KATO		CHK. C. NUNOKAWA		CHK. H. EBIHARA
NAME						0.8mm SPACING 100POS. FEMALE CONNECTOR				
PART NO.						HDRA-EC100FDT+				REV. 1A