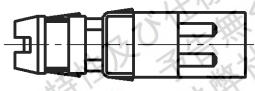
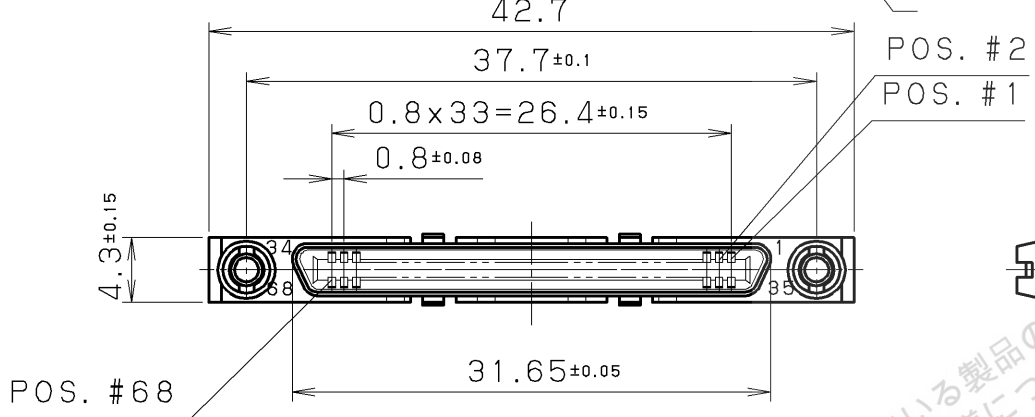
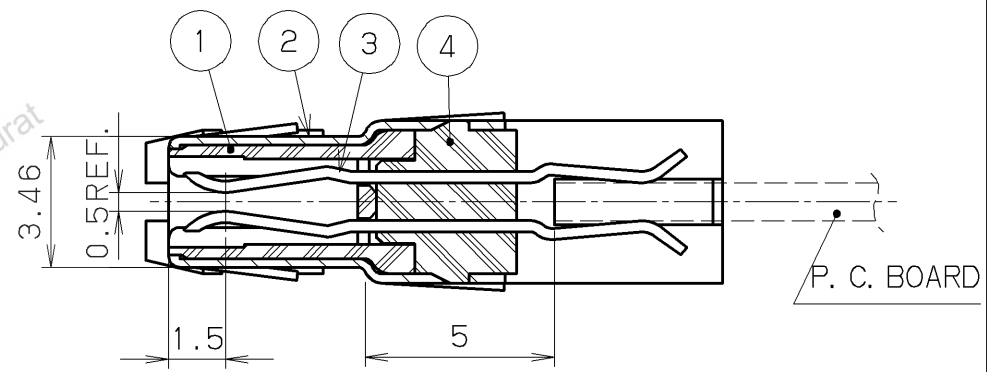


RECOMMENDED P. C. B. LAYOUT

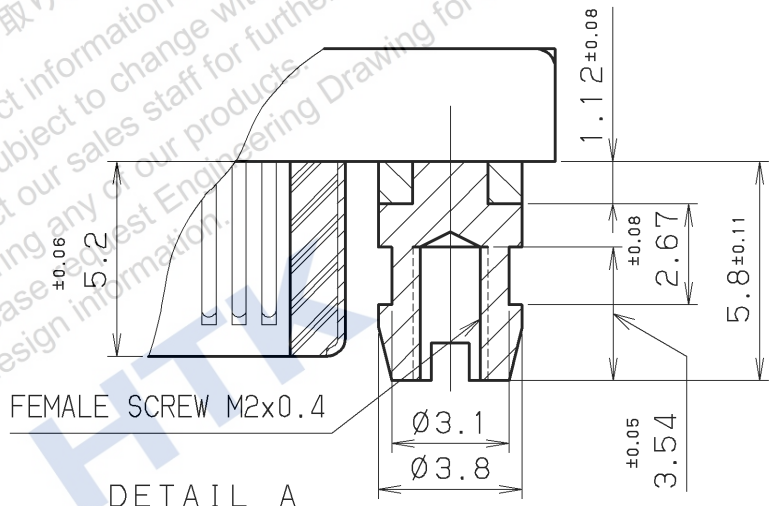
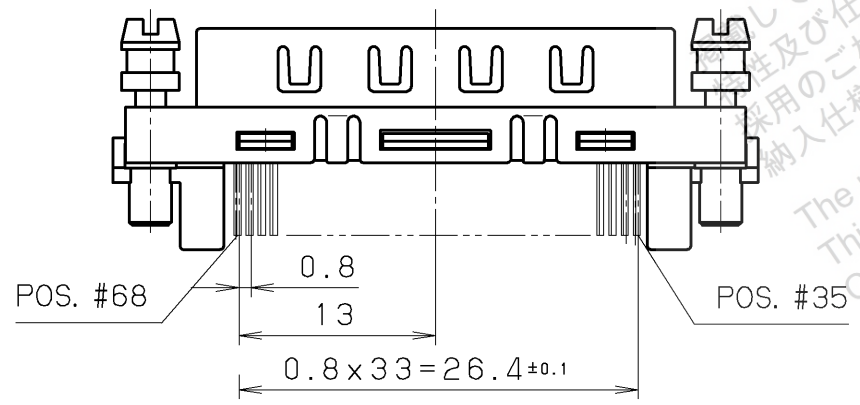


PANEL AND/OR WASHERS

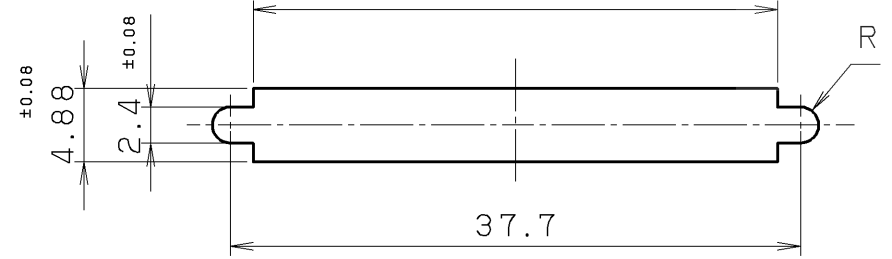


CONTACT DETAIL (SCALE=5/1)

NOTE 1. SPECIFICATION
 RATED CURRENT 0.5A (PEAK TO PEAK 1A) /1 CONTACT
 VOLTAGE 125V A. C. (r. m. s.)
 2. CONTACT PLATING
 CONTACT AREA: Pd 0.5µm+GOLD 0.1µm MIN.
 TERMINAL AREA: GOLD 0.05µm
 ALL OVER NICKEL UNDERPLATED



DETAIL A (SCALE=5/1)



RECOMMENDED PANEL CUT-OUT DIMENSIONS

(t=1.12±0.08)

6	LOCK SCREW	STEEL	2	NICKEL	M2
5	SQR. NUT (WITH F.G.)	BRASS	2	NICKEL	M2
4	INSULATOR B	PPS (GF)	1		UL94V-0 BLACK
3	CONTACT	PHOSPHOR BRONZE	68	SEE NOTE 2	
2	SHELL	STEEL	1	NICKEL	
1	INSULATOR A	PPS (GF)	1		UL94V-0 BLACK

LTR.	DATE	BY	REV.	DESCRIPT	No.	PART NAME	MATERIAL	QTY	FINISH	NOTE
------	------	----	------	----------	-----	-----------	----------	-----	--------	------

DATE Mar. -29 2004		SCALE 2/1		UNIT mm (INCH)		3RD. A. P		HONDA TSUSHIN KOGYO CO., LTD.		
APP. DATE&REV.		DR.	DE.	CHK.	CHK.	APP.	NAME	0.8mm SPACING 68POS. STRADDLE MOUNT TYPE FEMALE CONNECTOR		
		Y. KATO	Y. KATO	—	C. NUNOKAWA	H. EBIHARA	PART NO.	HDRA-E68FT+		REV.