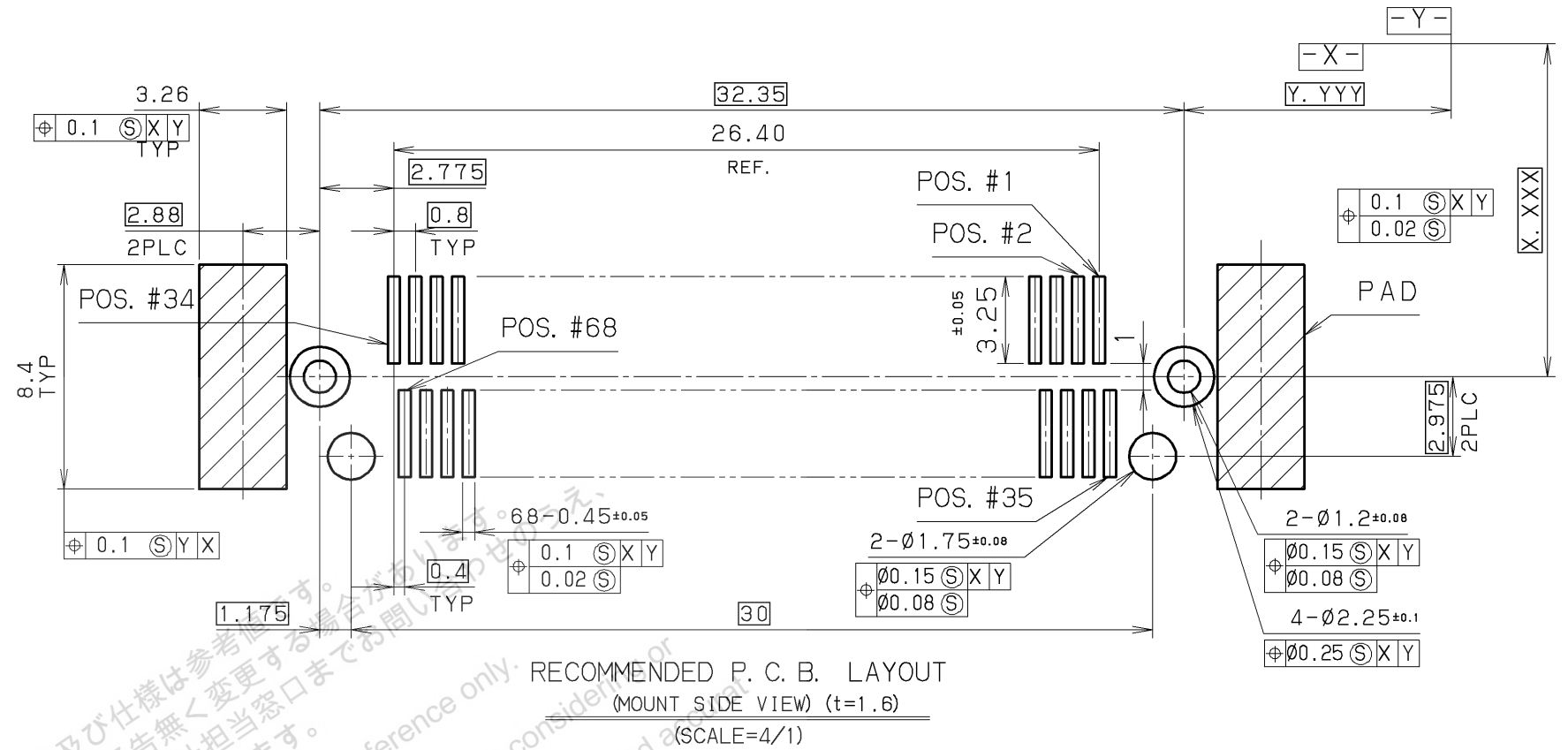


CONTACT DETAIL (5/1)



NOTE 1. CONTACT PLATING
 CONTACT AREA : GOLD 0.1 μm MIN.
 OVER PALLADIUM/NICKEL 0.5 μm
 TERMINAL AREA : GOLD 0.05 μm
 ALL OVER NICKEL UNDERPLATED.

7	GUIDE PIN	STEEL	2	NICKEL PLATING	—
6	HOLD DOWN	PHOSPHOR BRONZE	2	NICKEL PLATING	—
5	SQR. NUT	BRASS	2	NICKEL PLATING	M2 x 0.4
4	SHELL	STEEL	1	NICKEL PLATING	—
3	CONTACT	PHOSPHOR BRONZE	68	SEE NOTE 1	—
2	INSULATOR B	LCP	1	—	UL94V-0 BLACK
1	INSULATOR A	PPS	1	—	UL94V-0 BLACK

LTR.	DATE	BY	REV.	DESCRIPT	No.	PART NAME	MATERIAL	QTY	FINISH	NOTE
	DATE		SCALE		UNIT	3RD. A. P	HONDA TSUSHIN KOGYO CO., LTD.			
	Jun. 27. 2005		2 / 1		mm (INCH)					
	APP. DATE & REV.									
	DR.	DE.	CHK.	CHK.	APP.	NAME	0.8mm SPACING 68POS. FEMALE CONNECTOR SMT TYPE			
	Y. KATO	Y. KATO	—	C. NUNOKAWA	H. EBIHARA	PART NO.	HDRA-E68FYT-GP+			REV.