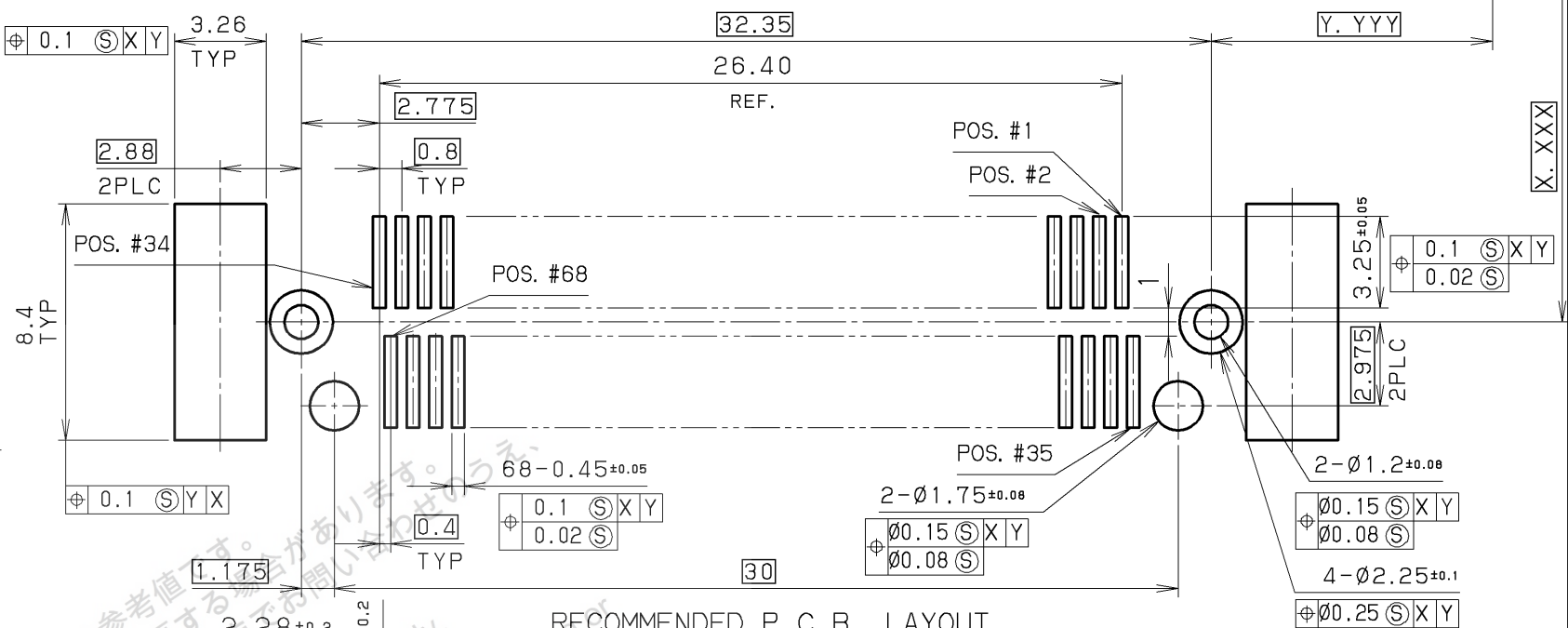


RECOMMENDED
PANEL CUT-OUT DIMENSIONS
(t=1.12±0.08)

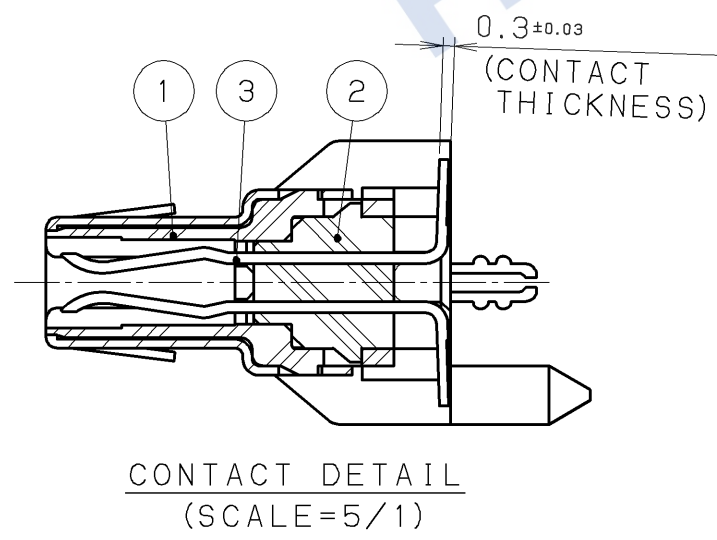
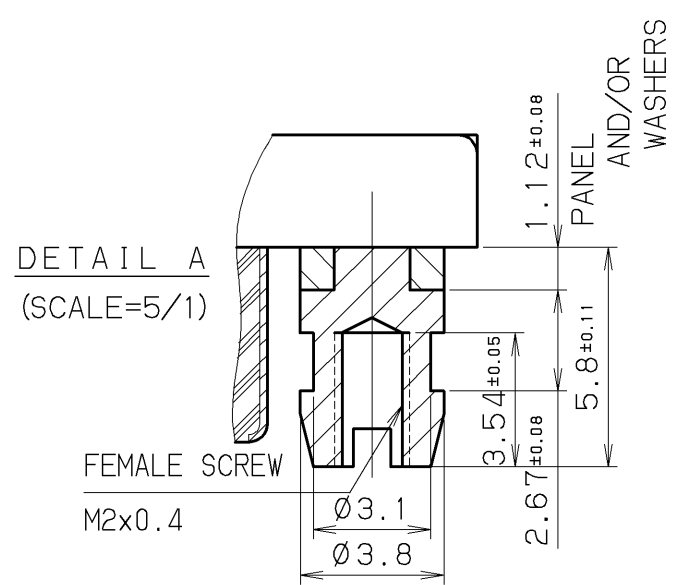
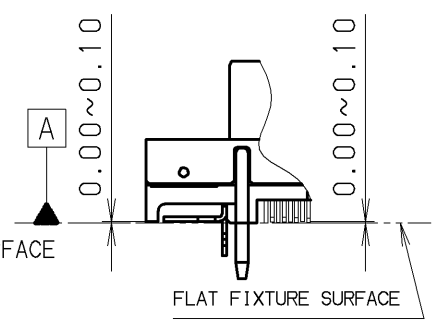


NOTE
1. CONTACT PLATING
CONTACT AREA: GOLD 0.1µm MIN. OVER PALLADIUM/NICKEL 0.5 µm
TERMINAL AREA: GOLD 0.05µm
ALL OVER NICKEL UNDERPLATED.

2. TWO LOCK SCREWS (ITEM #7) ARE SUPPLIED WITH A CONNECTOR.

3. THE DIMENSION OF PIN TAIL'S LOWER SURFACE TO DETUM 'A' SURFACE: 0.00 TO 0.10.

THE CONECTOR SHOULD BE ON FLAT FIXTURE SURFACE WHEN THE DIMENSIONS ARE MEASURED.



7	LOCK SCREW	STEEL	2	NICKEL PLATING	M2x0.4
6	HOLD DOWN	PHOSPHOR BRONZE	2	NICKEL PLATING	—
5	SQR. NUT	BRASS	2	NICKEL PLATING	M2x0.4
4	SHELL	STEEL	1	NICKEL PLATING	—
3	CONTACT	PHOSPHOR BRONZE	68	SEE NOTE #1	—
2	INSULATOR B	LCP	1	—	UL94V-0 BLACK
1	INSULATOR A	PPS	1	—	UL94V-0 BLACK

LTR.	DATE	BY	REV.	DESCRIPT	No.	PART NAME	MATERIAL	QTY	FINISH	NOTE
△	Sep.11 2008	Y. K	Revise							
△	Aug.1 2007	Y. K	Revise							

DATE	SCALE	UNIT	3RD. A. P	HONDA TSUSHIN KOGYO CO., LTD.						
Dec.28.2004	2 / 1	mm (INCH)								
APP. DATE&REV.				DR.	DE.	CHK.	CHK.	APP.	NAME	0.8mm SPACING 68POS. FEMALE CONNECTOR SMT TYPE
				Y. KATO	Y. KATO	—	—	H. EBIHARA	PART NO.	HDRA-E68FYT-SL+
										REV. 2B