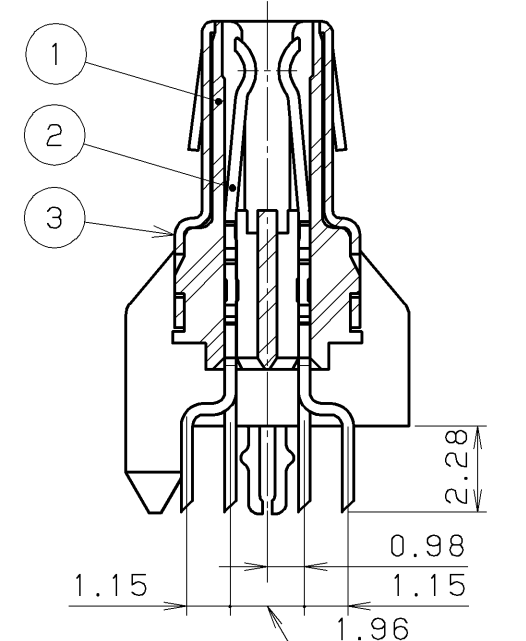


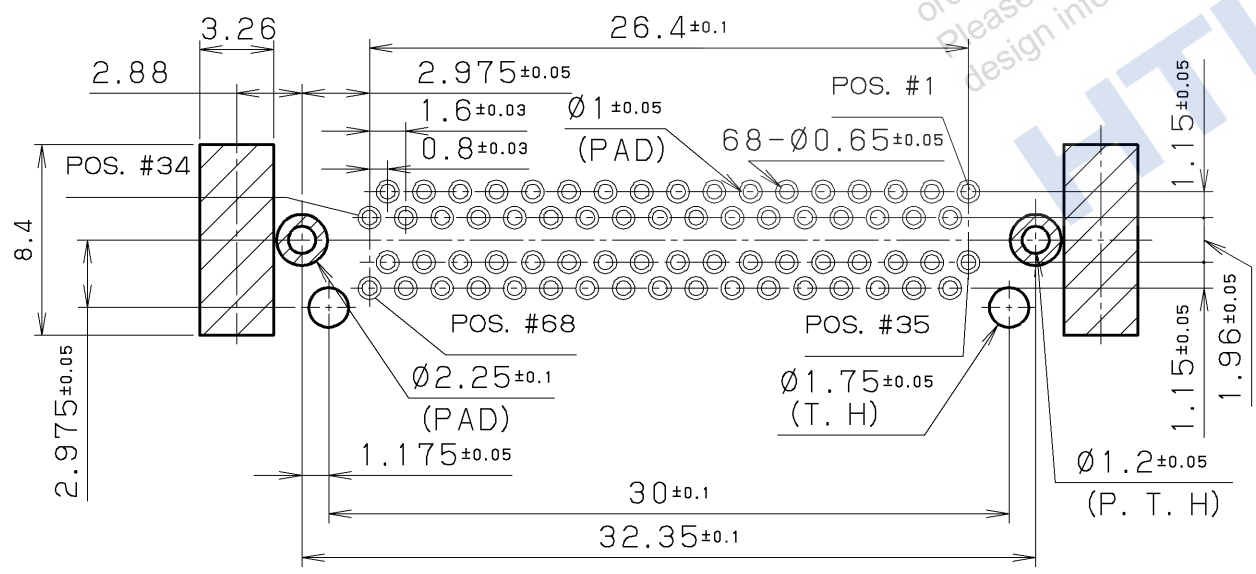
- 5 FEMALE SCREW  
M2x0.4
- 4 LOCK SCREW  
M2x0.4
- 6 PANEL MOUNT  
SEE NOTE. #2

NOTE 1. CONTACT PLATING  
 CONTACT AREA: GOLD 0.76 μm MIN.  
 TERMINAL AREA: GOLD 0.05 μm  
 ALL OVER NICKEL UNDERPLATED.

2. TWO LOCK SCREWS (ITEM #6) ARE SUPPLIED WITH CONNECTOR.



CONTACT DETAIL (5/1)



RECOMMENDED P. C. B. LAYOUT  
 (MOUNT SIDE VIEW) PAD

6	LOCK SCREW	STEEL	2	NICKEL PLATING	M2
5	HOLD DOWN	PHOSPHOR BRONZE	2	NICKEL PLATING	
4	SQR. NUT	BRASS	2	NICKEL PLATING	M2x0.4
3	SHELL	STEEL	1	NICKEL PLATING	
2	CONTACT	PHOSPHOR BRONZE	68	SEE NOTE 1	
1	INSULATOR	PART	1		UL94V-0 BLACK

LTR.	DATE	BY	REV.	DESCRIPT	No.	PART NAME	MATERIAL	QTY	FINISH	NOTE
	DATE									
	May-23.2014									
	APP. DATE & REV.									
	DR.	DE.	CHK.	CHK.	APP.	NAME	0.8mm SPACING 68POS. FEMALE CONNECTOR			
	A. TASHIRO	A. TASHIRO		K. OOKAKU	Y. KATO	PART NO.	HDRA-EC68FDT-SL+			REV.