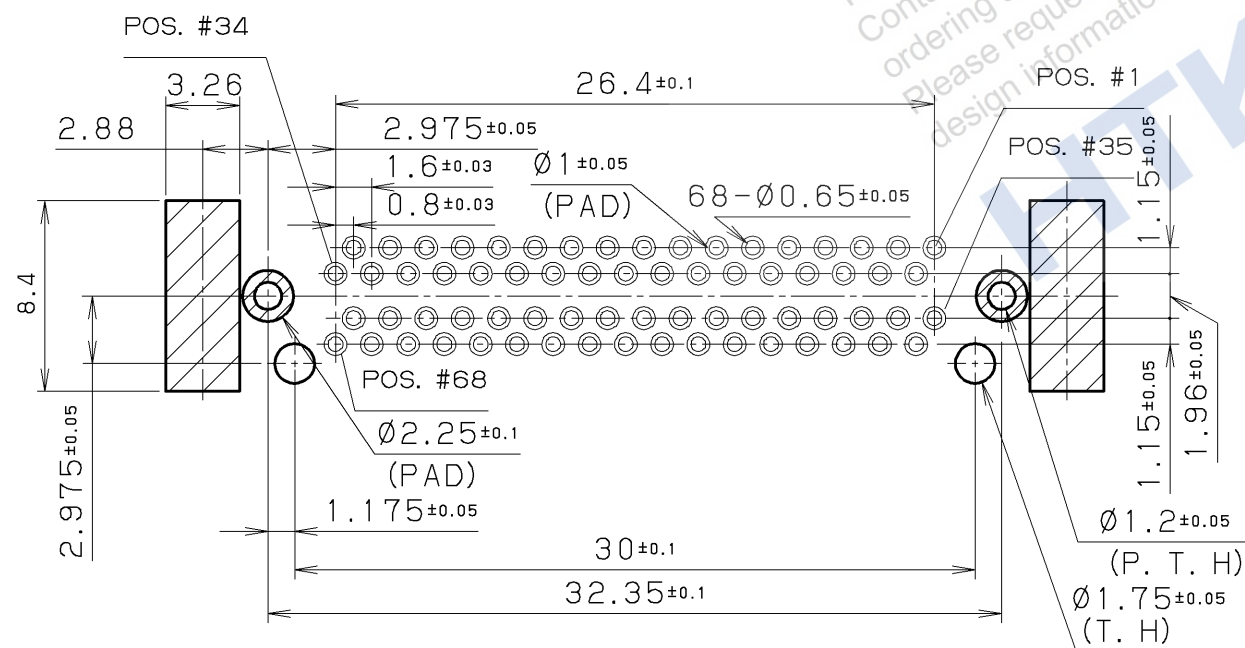
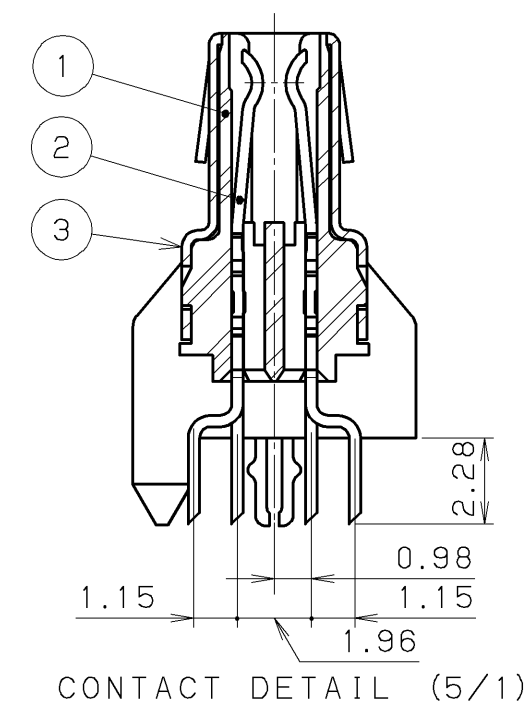
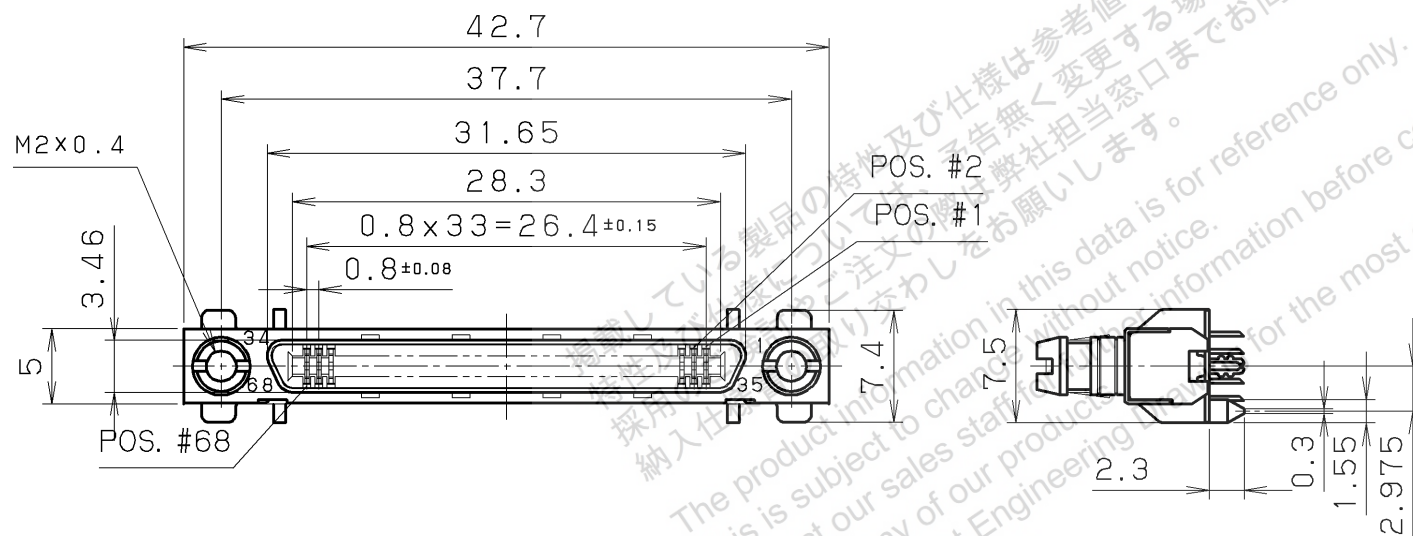
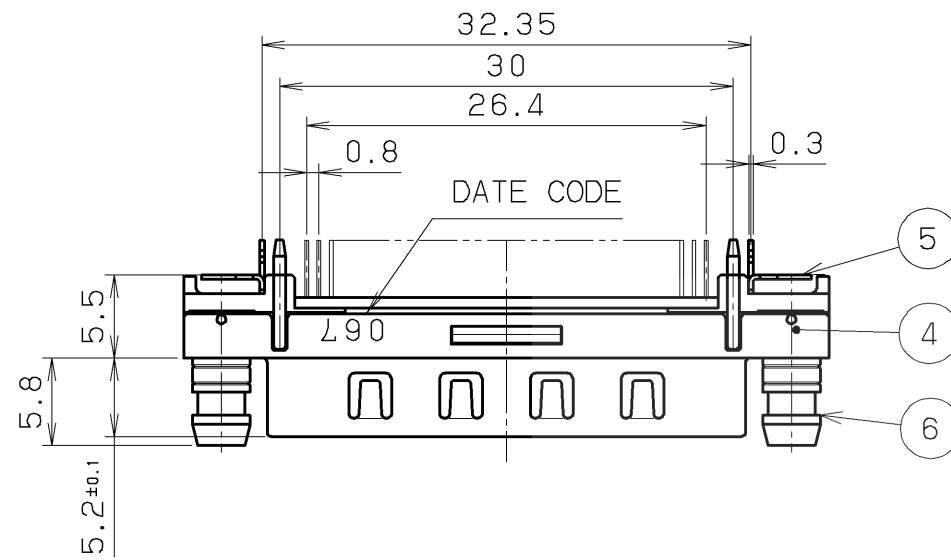


NOTE 1. CONTACT PLATING  
 CONTACT AREA: GOLD 0.76 μm MIN.  
 TERMINAL AREA: GOLD 0.05 μm  
 ALL OVER NICKEL UNDERPLATED.



RECOMMENDED P. C. B. LAYOUT  
 (MOUNT SIDE VIEW) PAD

6	LOCK SCREW	STEEL	2	NICKEL PLATING	M2
5	HOLD DOWN	PHOSPHOR BRONZE	2	NICKEL PLATING	
4	SQR. NUT	BRASS	2	NICKEL PLATING	M2×0.4
3	SHELL	STEEL	1	NICKEL PLATING	
2	CONTACT	PHOSPHOR BRONZE	68	SEE NOTE 1	
1	INSULATOR	PA9T	1		UL94V-0 BLACK

LTR.	DATE	BY	REV.	DESCRIPT	No.	PART NAME	MATERIAL	QTY	FINISH	NOTE
	Dec. 7. 2005		2 / 1							
APP. DATE & REV.						HONDA TSUSHIN KOGYO CO., LTD.				
DR.	DE.	CHK.	CHK.	APP.	NAME		0.8mm SPACING 68POS. FEMALE CONNECTOR			
Y. KATO	Y. KATO	—	—	K. KASHIO	PART NO.		HDRA-EC68FDT-SLD+		REV.	A