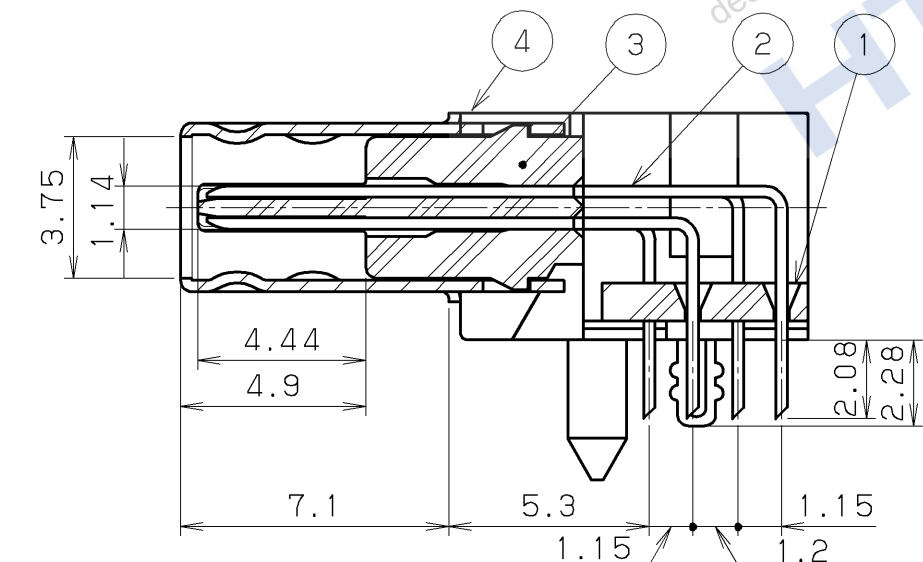


RECOMMENDED P. C. B. LAYOUT
(MOUNT SIDE VIEW)
(SCALE=5/1)

NOTE 1. CONTACT PLATING
CONTACT AREA: GOLD 0.76 μm MIN.
TERMINAL AREA: GOLD 0.05 μm
ALL OVER NICKEL UNDERPLATED.



CONTACT DETALE (5/1)

△				5	HOLD DOWN	PHOSPHOR BRONZE	2	NICKEL PLATING			
△				4	SHELL	STEEL	1	NICKEL PLATING			
△				3	INSULATOR	PA9T	1		UL94V-0 BLACK		
△				2	CONTACT	PHOSPHOR BRONZE	68	SEE NOTE 1			
△				1	BRACKET	PPS	1		UL94V-0 BLACK		
LTR.	DATE	BY	REV.	DESCRIP	No.	PART NAME	MATERIAL	QTY	FINISH	NOTE	
	DATE Dec. 9. 2005		SCALE 2 / 1	UNIT mm (INCH)	3RD. A. P	HONDA TSUSHIN KOGYO CO., LTD.					
	APP. DATE & REV.					DR.	DE.	CHK.	CHK.	APP.	NAME 0.8mm SPACING 68POS. R/A MALE CONNECTOR
						Y. KATO	Y. KATO			H. EBIHARA	PART NO. HDRA-EC68LMDT+
											REV.