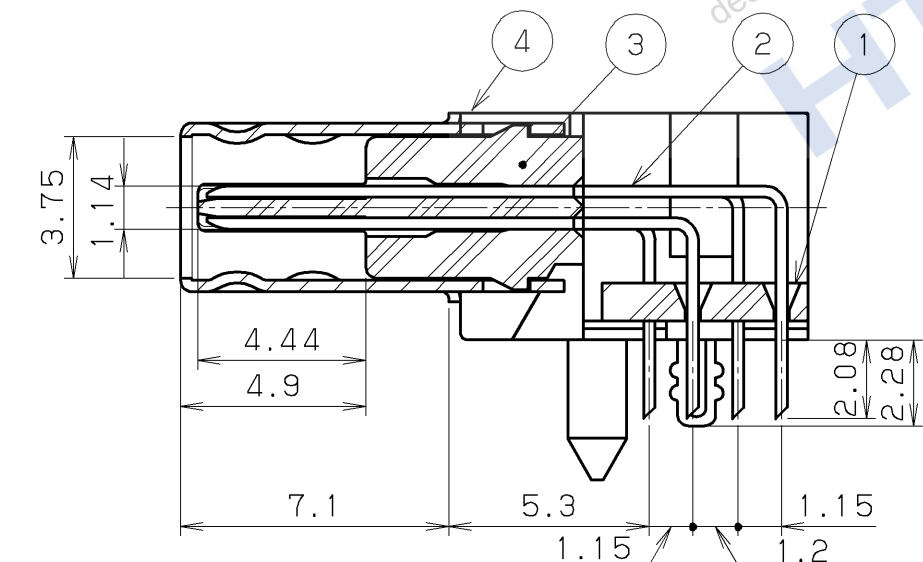


RECOMMENDED P.C.B. LAYOUT  
(MOUNT SIDE VIEW)  
(SCALE=5/1)

NOTE 1. CONTACT PLATING  
CONTACT AREA: GOLD 0.76μm MIN.  
TERMINAL AREA: GOLD 0.05μm  
ALL OVER NICKEL UNDERPLATED.



CONTACT DETALE (5/1)

△					6	GUIDE BUSHING	STEEL	2	NICKEL PLATING	
△					5	HOLD DOWN	PHOSPHOR BRONZE	2	NICKEL PLATING	
△					4	SHELL	STEEL	1	NICKEL PLATING	
△					3	INSULATOR	PA9T	1		UL94V-0 BLACK
△					2	CONTACT	PHOSPHOR BRONZE	68	SEE NOTE 1	
△					1	BRACKET	PPS	1		UL94V-0 BLACK
LTR.	DATE	BY	REV.	DESCRIP	No.	PART NAME	MATERIAL	QTY	FINISH	NOTE
	DATE		SCALE		UNIT	3RD. A. P	HONDA TSUSHIN KOGYO CO., LTD.			
	Jan.26.2006		2 / 1		mm (INCH)					
	APP. DATE&REV.									
	DR.	DE.	CHK.	CHK.	APP.	NAME	0.8mm SPACING 68POS. R/A MALE CONNECTOR (RoHS)			
	Y. KATO	Y. KATO			H. EBIHARA	PART NO.	HDRA-EC68LMDT-GP+			REV.