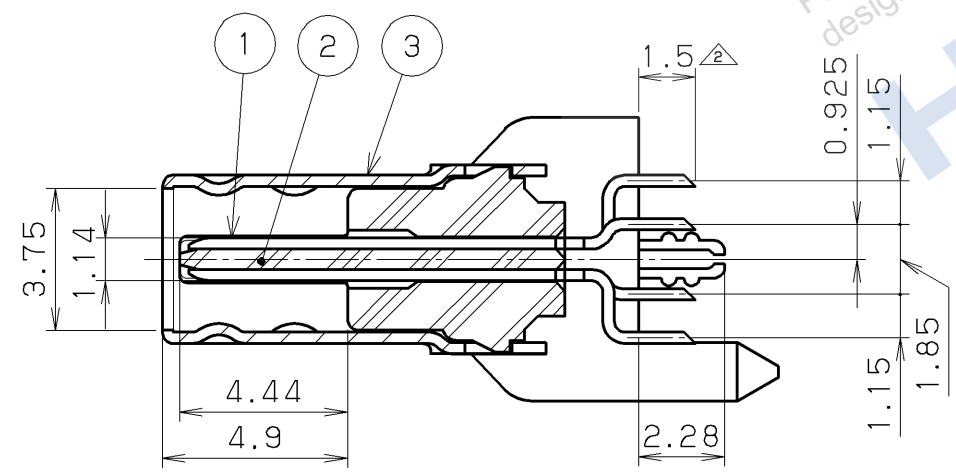


NOTE 1. CONTACT PLATING
 CONTACT AREA: GOLD 0.76 μm MIN.
 TERMINAL AREA: GOLD 0.05 μm
 ALL OVER NICKEL UNDERPLATED.



6	GUIDE BUSHING	STEEL	2	NICKEL PLATING	
5	SQR. NUT	BRASS	2	NICKEL PLATING	M2x0.4
4	HOLD DOWN	PHOSPHOR BRONZE	2	NICKEL PLATING	
3	SHELL	STEEL	1	NICKEL PLATING	
2	INSULATOR	PA9T	1		UL94V-0 BLACK
1	CONTACT	PHOSPHOR BRONZE	100	SEE NOTE 1	

LTR.	DATE	BY	REV.	DESCRIPT	No.	PART NAME	MATERIAL	QTY	FINISH	NOTE
△	Apr. 06 2005	M. M		DIM.						
△	Dec. 13 2004	Y. K		DATE CODE						

DATE	SCALE	UNIT	3RD. A. P	HONDA TSUSHIN KOGYO CO., LTD.	
Nov. 24. 2004	2 / 1	mm (INCH)		DR.	DE.
APP. DATE & REV.	CHK.	CHK.	APP.	NAME	0.8mm SPACING 100POS. MALE CONNECTOR
M. MIYAZAKI	M. MIYAZAKI	C. NUNOKAWA	H. EBIHARA	PART NO.	HDRA-EC100MDT-GP+
					REV. 2B