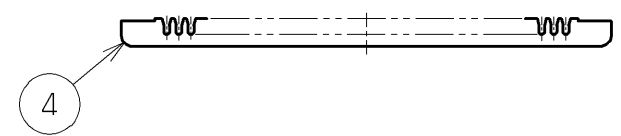
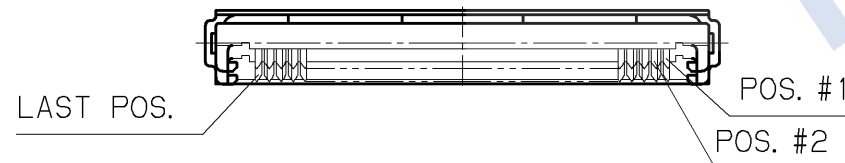
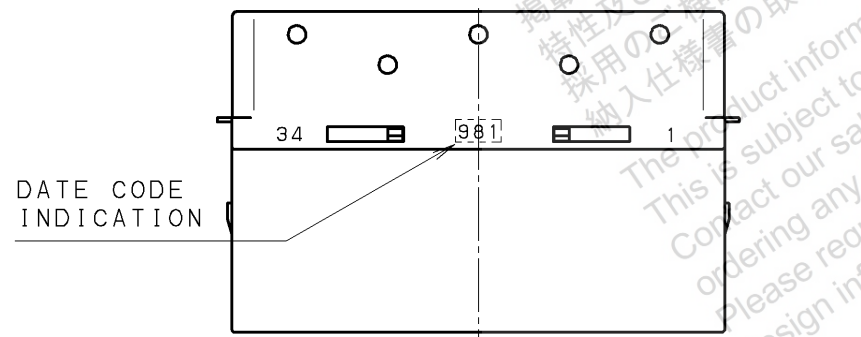
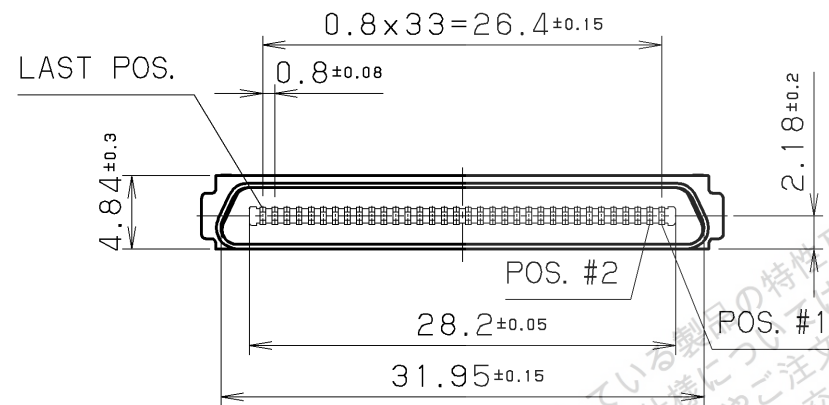


CONTACT DETAIL  
(5/1)



- NOTE1. CONTACT PLATING  
 CONTACT AREA : Pd/Ni 0.5μm+GOLD 0.1μmMIN.  
 TERMINAL AREA : GOLD 0.05μm  
 ALL OVER NICKEL UNDERPLATED
2. APPLICABLE CABLE COVER: P/N: HDRA-E68LGKPC  
 3. MATING CONNECTOR: P/N: HDRA-E68LFDT-SL  
 4. APPLICABLE WIRE SIZE AWG#30 (1/0.254)  
 Ø0.58 (CORE JACKET O. D.)

				4	CABLE HOUSING	PBT (GF)	2		UL94V-0 BROWN
				3	SHELL	STEEL	1	NICKEL	
				2	INSULATOR	PBT (GF)	1		UL94V-0 BROWN
	May 15 2013	M. K	Revised.	1	CONTACT	PHOSPHOR BRONZE	68	SEE NOTE 1	
LTR.	DATE	BY	REV. DESCRIPT	No.	PART NAME	MATERIAL	QTY	FINISH	NOTE
DATE		SCALE		UNIT		3RD. A. P			
July. 18, 2006		2 / 1		mm (INCH)					
APP. DATE&REV.					<b>HTK</b> HONDA TSUSHIN KOGYO CO., LTD.				
DR.	DE.	CHK.	CHK.	APP.	NAME	0.8mm SPACING 68POS. FOR CABLE IDC MALE CONNECTOR			
M. KASHIHARA	M. KASHIHARA	—	—	Y. KATO	PART NO.	HDRA-E68M1+			REV. 1A