

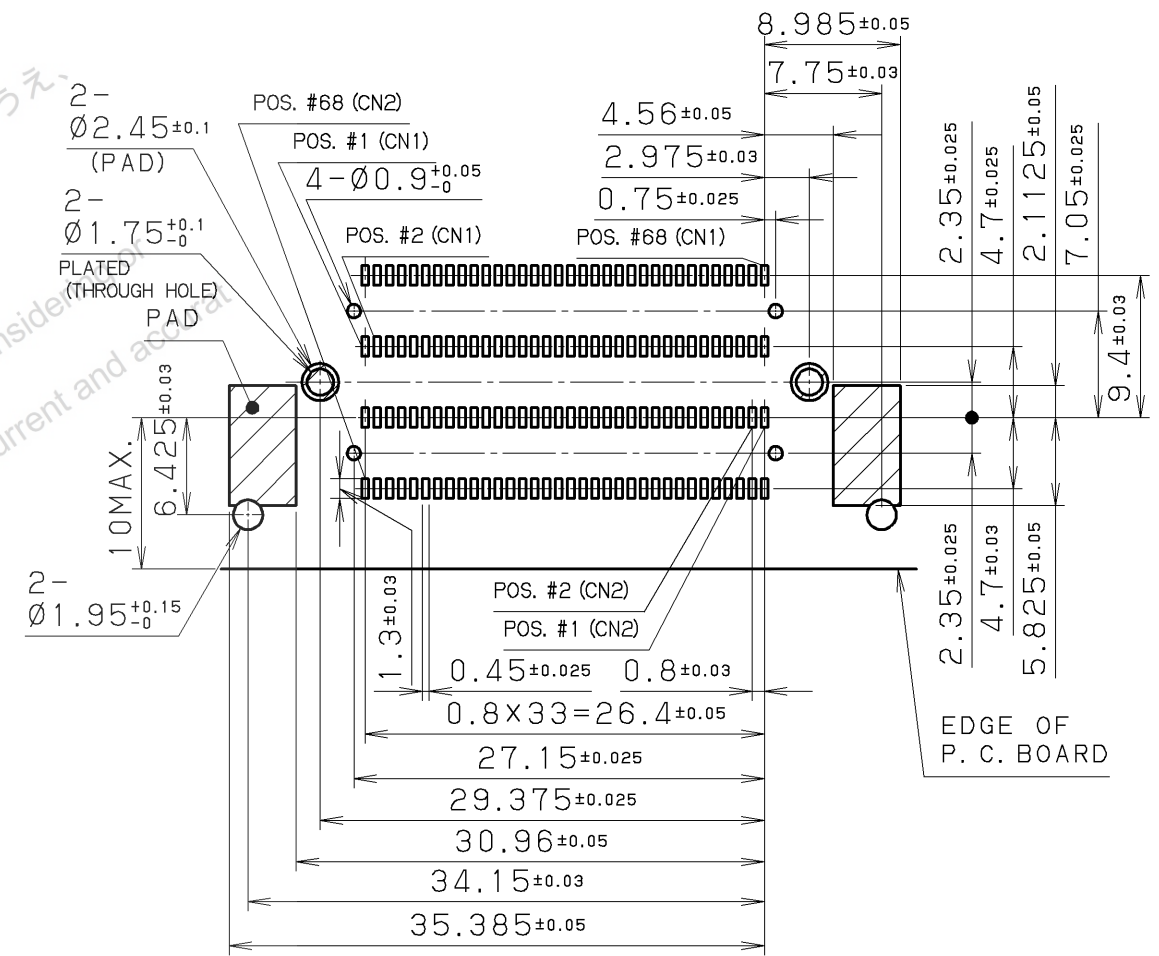
RECOMMENDED P. C. B. LAYOUT
WHEN SINGLE STACK FEMALE CONNECTOR (HDRA-ED68LFZGT () -L+) IS USED

NOTE 1. CONTACT PLATING

CONTACT AREA: GOLD 0.2μm MIN.
TERMINAL AREA: GOLD 0.05μm
ALL OVER NICKEL UNDERPLATED

2. MATING FEMALE CONNECTOR P/N

SINGLE STACK : HDRA-ED68LFZG () -L+
DUAL STACK : HDRA-ED136LFZG () -L+



RECOMMENDED P. C. B. LAYOUT
WHEN DUAL STACK FEMALE CONNECTOR (HDRA-ED136LFZGT () -L+) IS USED

△										
△				2	INSULATOR	PA9T	1		UL94V-0 BLACK	
△				1	CONTACT	PHOSPHOR BRONZE	68	SEE NOTE.1		
LTR.	DATE	BY	REV.	DESCRIP	No.	PART NAME	MATERIAL	QTY	FINISH	NOTE
	DATE			SCALE		UNIT	3RD. A. P	HONDA TSUSHIN KOGYO CO., LTD.		
	Mar. 29. 2004			2 / 1		mm (INCH)				
	APP. DATE & REV.							NAME		0.8mm SPACING 68POS. BOARD CONNECTOR
	DR.	DE.	CHK.	CHK.	APP.			PART NO.		HDRA-ED68FYG+
	Y. KATO	Y. KATO	—	C. NUNOKAWA	H. EBIHARA					REV.