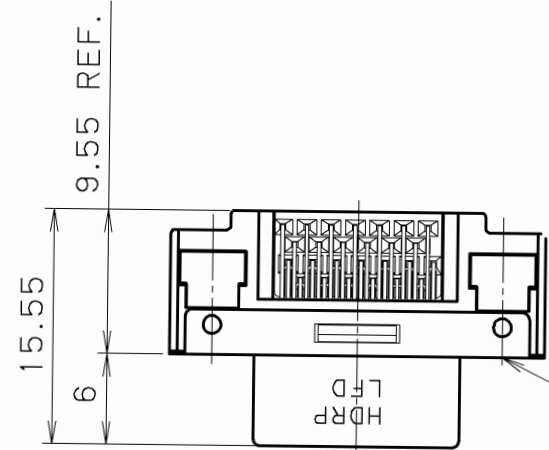
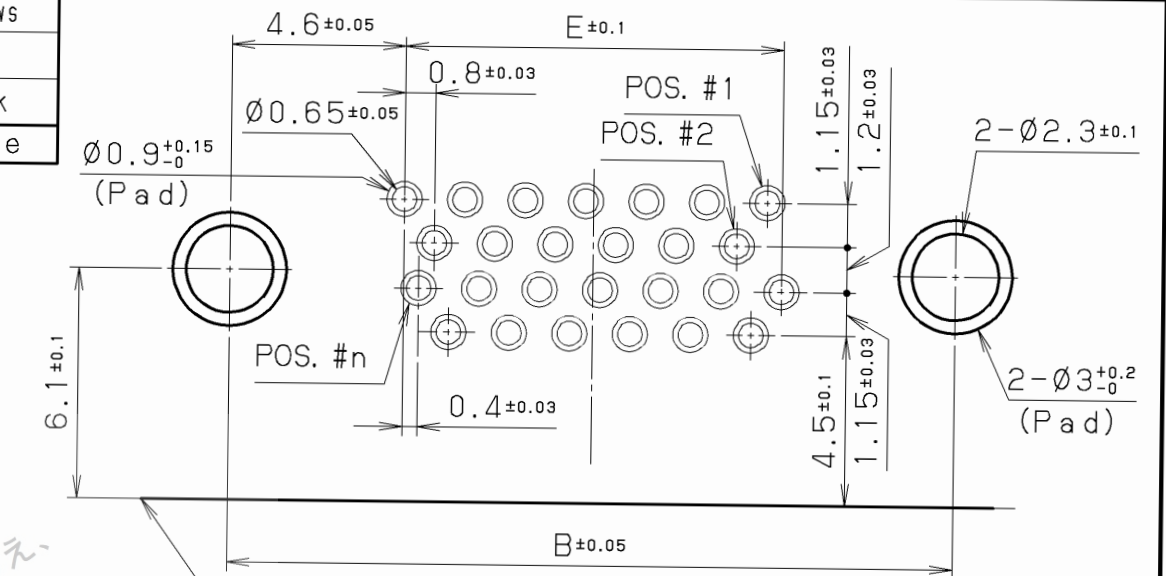
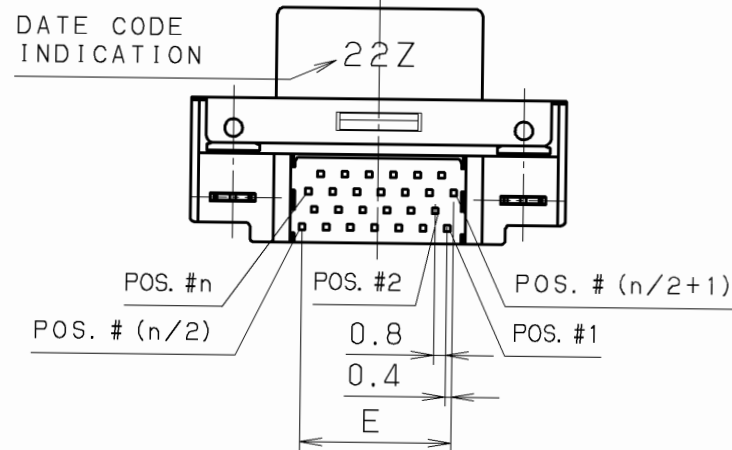
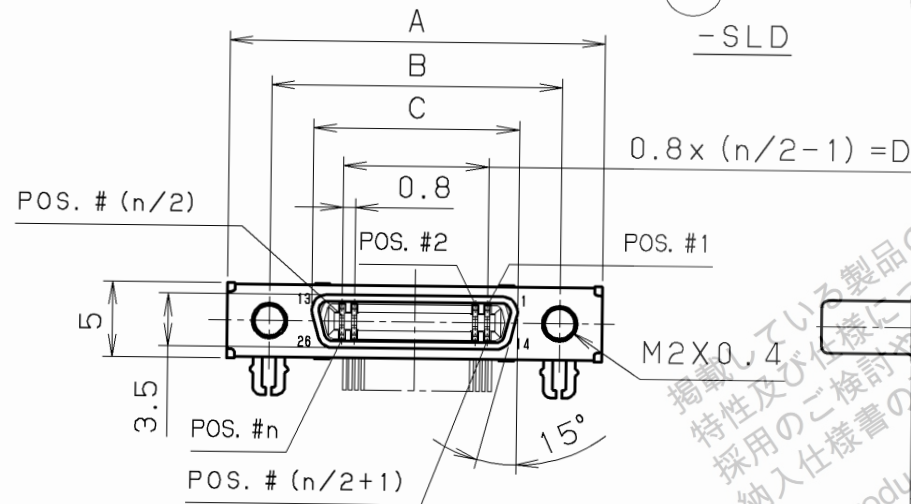
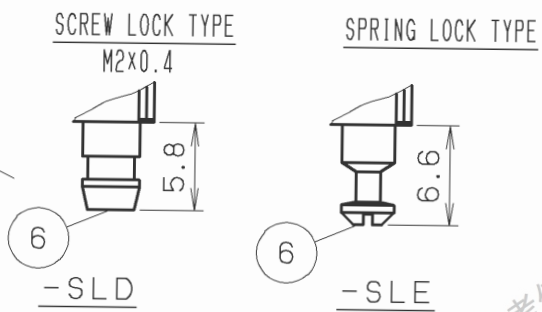


26	24.8	19.2	13.6	9.6	10	HDRP-EC26LFDTG2-()+
n (No. of pos.)	Dimensions					Part No.

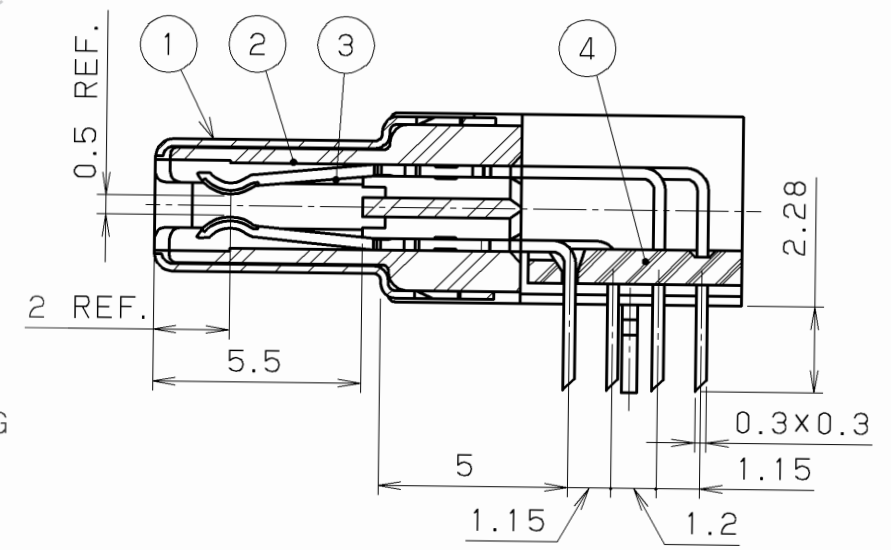
HDRP-EC26LFDTG2+	W/O lock screws
HDRP-EC26LFDTG2-SLD+	Screw lock
HDRP-EC26LFDTG2-SLE+	Spring lock
Part No.	Lock type



LOCK SCREWS



RECOMMENDED P.C.B. LAYOUT (MOUNT SIDE VIEW) (t=1.6 SCALE=5/1)



CONTACT DETAIL

5. USAGE PRECAUTION
IF THE OTHER THAN MATED CONNECTOR (NOTE. 3) THE PERFORMANCE (RATED CURRENT) CANNOT BE GUARANTEED. PLEASE BE SURE TO USE (NOTE3.) AS IT MAY CAUSE TO FAILUER.

6. APPEARANCE
BLACK SPOTS MAY BE SEEN ON THE RESIN PART (INSULATOR) OF THE CONNECTOR BUT THIS DOES NOT AFFECT PERFORMANCE. THE HDR/HDRP SERIES CAN BE IDENTIFIED BY DIFFERENT COLOR OF THE RESIN PART (INSULATOR).

•HDR SERIES:BLAK
•HDRP SERIES:ORANGE

NOTE. 1. SPECIFICATION
RATED CURRENT 1.2A
RATED VOLTAGE 125V AC (r. m. s.)

2. CONTACT PLATING
MATING AREA :GOLD PLATING
TERMINATION AREA:TIN PLATING
UNDERPLATING :NICKEL PLATING

3. MATING CONNECTOR
HDRP-E26MSG1+

6	LOCK SCREW	STEEL	2	NICKEL PLATING	---
5	BOARD LOCK PIN	PHOSPHOR BRONZE	2	TIN PLATING	---
4	BRACKET	PPS (GF)	1	---	UL94V-0 BLACK
3	FEMALE CONTACT	COPPER ALLOY	26	NOTE. #2	---
2	INSULATOR	PA9T (GF)	1	---	UL94V-0 ORANGE
1	SHELL	STEEL	1	NICKEL PLATING	---

LTR.	DATE	BY	REV.	DESCRIPT	No.	PART NAME	MATERIAL	QTY	FINISH	NOTE
	May. 24, 2022		2 / 1							
APP. DATE & REV.						HTK HONDA TSUSHIN KOGYO CO., LTD.				
DR.	DE.	CHK.	CHK.	APP.	NAME		0.8mm SPACING SHIELDED RIGHTANGLE FEMALE CONNECTOR			
S. YOSHIDA	S. YOSHIDA	M. MATSUE	---	K. OOKAKU	PART NO.	HDRP-EC26LFDTG2-()+	REV.			