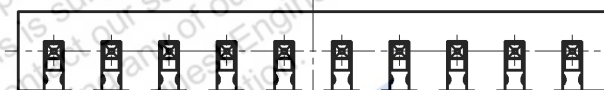
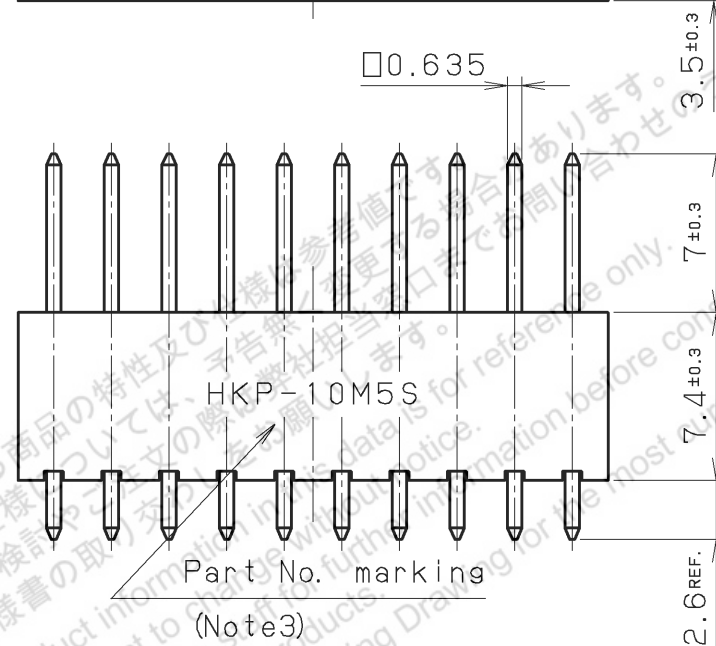
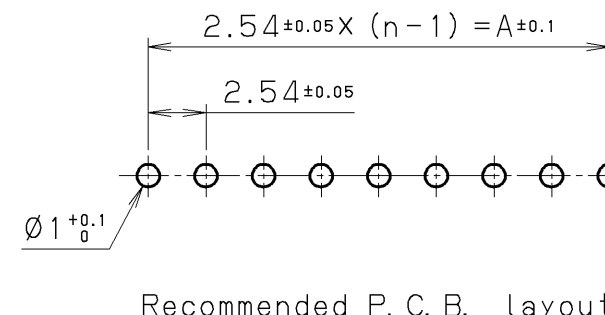
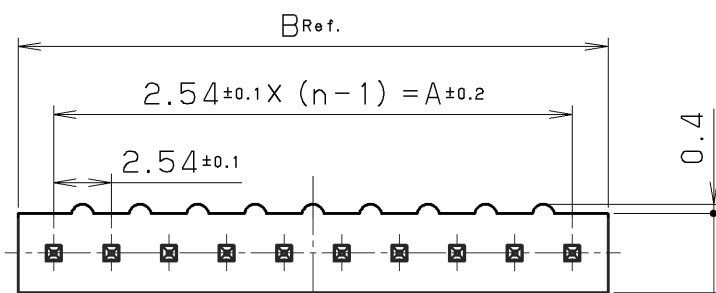


Table 1

n	Part No.	A ± 0.2	B ± 0.3
2	HKP-2M5S	2.54	5.68
3	HKP-3M5S	5.08	8.22
4	HKP-4M5S	7.62	10.76
5	HKP-5M5S	10.16	13.30
6	HKP-6M5S	12.70	15.84
7	HKP-7M5S	15.24	18.38
8	HKP-8M5S	17.78	20.92
9	HKP-9M5S	20.32	23.46
10	HKP-10M5S	22.86	26.00
11	HKP-11M5S	25.40	28.54
12	HKP-12M5S	27.94	31.08
13	HKP-13M5S	30.48	33.62
14	HKP-14M5S	33.02	36.16
15	HKP-15M5S	35.56	38.70
16	HKP-16M5S	38.10	41.24
17	HKP-17M5S	40.64	43.78
18	HKP-18M5S	43.18	46.32
19	HKP-19M5S	45.72	48.86
20	HKP-20M5S	48.26	51.40
21	HKP-21M5S	50.80	53.94
22	HKP-22M5S	53.34	56.48
23	HKP-23M5S	55.88	59.02
24	HKP-24M5S	58.42	61.56
25	HKP-25M5S	60.96	64.10
26	HKP-26M5S	63.50	66.64
27	HKP-27M5S	66.04	69.18
28	HKP-28M5S	68.58	71.72
29	HKP-29M5S	71.12	74.26
30	HKP-30M5S	73.66	76.80
31	HKP-31M5S	76.20	79.34
32	HKP-32M5S	78.74	81.88
33	HKP-33M5S	81.28	84.42
34	HKP-34M5S	83.82	86.96
35	HKP-35M5S	86.36	89.50
36	HKP-36M5S	88.90	92.04
37	HKP-37M5S	91.44	94.58
38	HKP-38M5S	93.98	97.12
39	HKP-39M5S	96.52	99.66
40	HKP-40M5S	99.06	102.20
41	HKP-41M5S	101.60	104.74
42	HKP-42M5S	104.14	107.28
43	HKP-43M5S	106.68	109.82
44	HKP-44M5S	109.22	112.36
45	HKP-45M5S	111.76	114.90
46	HKP-46M5S	114.30	117.44
47	HKP-47M5S	116.84	119.98
48	HKP-48M5S	119.38	122.52
49	HKP-49M5S	121.92	125.06
50	HKP-50M5S	124.46	127.60



Note1. This figure shows HKP-10M5S.
 Note2. "n" shows number of contacts.
 Note3. Marking
 HKP- (n) M5S
 There is no Part No. marking
 on 2, 3 and 4 pos. connectors.
 Note4. This connector cuts an insulator
 at the B size part and makes a connector.

△3										
△2				2	Contact	Phosphor Bronze	n	Gold plating	—	
△1				1	Insulator	PBT	1	—	UL94V-0 Black	
LTR.	DATE	BY	REV.	DESCRIP	No.	PART NAME	MATERIAL	QTY	FINISH	NOTE
DATE		SCALE		UNIT		3RD. A. P				
May. 16 (2005)		3/1		mm (INCH)		HTK HONDA TSUSHIN KOGYO CO., LTD.				
APP. DATE&REV.		DR.		DE.		CHK.		CHK.		APP.
		M. MIYAZAKI		M. MIYAZAKI		—		C. NUNOKAWA		H. EBIHARA
NAME		Male connector								
PART NO.		HKP- () M5S								
REV.										