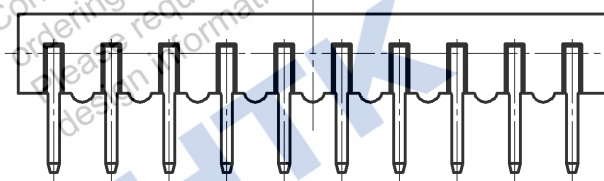
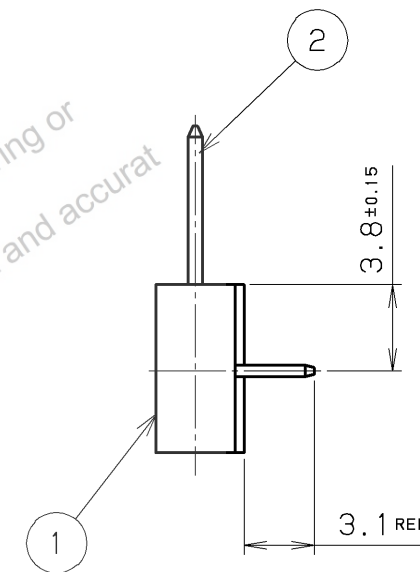
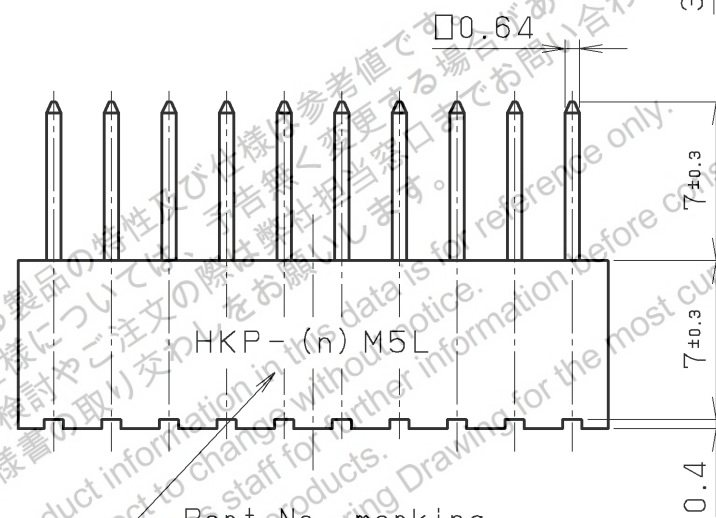
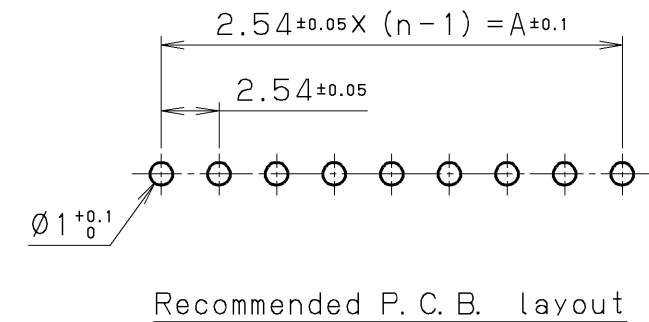
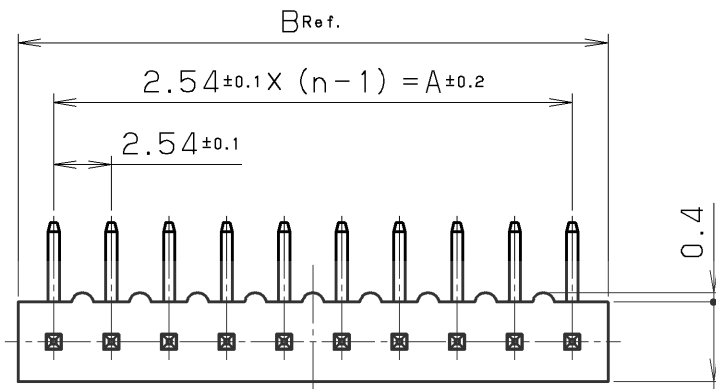


Table 1

n	Part No.	A±0.2	B <sub>Ref.</sub>
2	HKP-2M5LS	2.54	5.68
3	HKP-3M5LS	5.08	8.22
4	HKP-4M5LS	7.62	10.76
5	HKP-5M5LS	10.16	13.30
6	HKP-6M5LS	12.70	15.84
7	HKP-7M5LS	15.24	18.38
8	HKP-8M5LS	17.78	20.92
9	HKP-9M5LS	20.32	23.46
10	HKP-10M5LS	22.86	26.00
11	HKP-11M5LS	25.40	28.54
12	HKP-12M5LS	27.94	31.08
13	HKP-13M5LS	30.48	33.62
14	HKP-14M5LS	33.02	36.16
15	HKP-15M5LS	35.56	38.70
16	HKP-16M5LS	38.10	41.24
17	HKP-17M5LS	40.64	43.78
18	HKP-18M5LS	43.18	46.32
19	HKP-19M5LS	45.72	48.86
20	HKP-20M5LS	48.26	51.40
21	HKP-21M5LS	50.80	53.94
22	HKP-22M5LS	53.34	56.48
23	HKP-23M5LS	55.88	59.02
24	HKP-24M5LS	58.42	61.56
25	HKP-25M5LS	60.96	64.10
26	HKP-26M5LS	63.50	66.64
27	HKP-27M5LS	66.04	69.18
28	HKP-28M5LS	68.58	71.72
29	HKP-29M5LS	71.12	74.26
30	HKP-30M5LS	73.66	76.80
31	HKP-31M5LS	76.20	79.34
32	HKP-32M5LS	78.74	81.88
33	HKP-33M5LS	81.28	84.42
34	HKP-34M5LS	83.82	86.96
35	HKP-35M5LS	86.36	89.50
36	HKP-36M5LS	88.90	92.04
37	HKP-37M5LS	91.44	94.58
38	HKP-38M5LS	93.98	97.12
39	HKP-39M5LS	96.52	99.66
40	HKP-40M5LS	99.06	102.20
41	HKP-41M5LS	101.60	104.74
42	HKP-42M5LS	104.14	107.28
43	HKP-43M5LS	106.68	109.82
44	HKP-44M5LS	109.22	112.36
45	HKP-45M5LS	111.76	114.90
46	HKP-46M5LS	114.30	117.44
47	HKP-47M5LS	116.84	119.98
48	HKP-48M5LS	119.38	122.52
49	HKP-49M5LS	121.92	125.06
50	HKP-50M5LS	124.46	127.60



- Note1. This figure shows HKP-10M5LS.  
 Note2. "n" shows number of contacts.  
 Note3. Marking  
 HKP- (n) M5L  
 There is no Part No. marking  
 on 2, 3 and 4 pos. connectors.  
 Note4. This connector cuts an insulator  
 at the B size part and makes a connector.

LTR.	DATE	BY	REV.	DESCRIPT	No.	PART NAME	MATERIAL	QTY	FINISH	NOTE
3										
2					2	Contact	Phosphor bronze	n	Gold plating	
1	May.09 2007	M. Miyazaki		REVISE	1	Insulator	PBT	1		UL94V-0 Black
DATE						SCALE	UNIT	3RD. A. P		
May.16 (2005)						3/1	mm (INCH)			
APP. DATE&REV.										
DR.	DE.	CHK.	CHK.	APP.	NAME		Male connector			
M. MIYAZAKI	M. MIYAZAKI	—	C. NUNOKAWA	K. KASHIO	PART NO.		HKP- ( ) M5LS			
										REV. 1A