

Note1.Those marked "●" in the form column of a "Table 1" have a projection (two both side) as shown in Fig. A.
 Note2.The shutter opening side of this product guarantees only combination with SC-type Optical Fixed Attenuator of our company.
 Note3.It is the size united with FC to SC adaptor of our company.

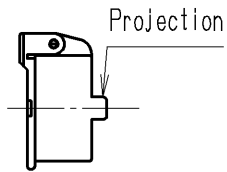
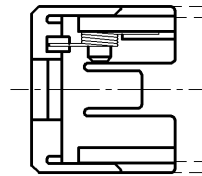
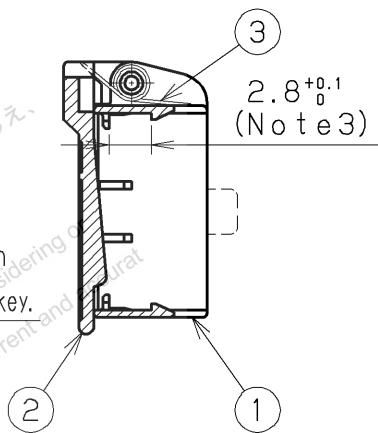
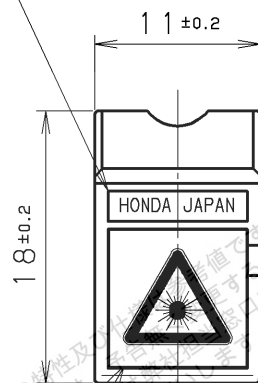
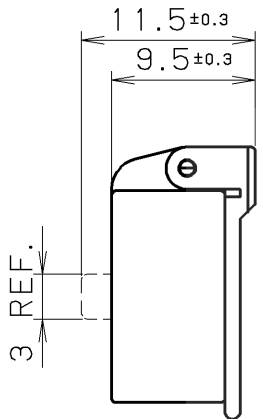


Fig. A (SCALE:1/1)



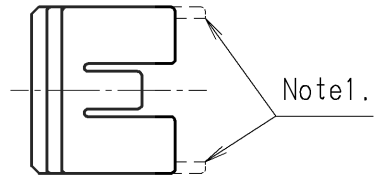
Abbreviation of the corporation name.



The direction discernment of a key.

Table 1

PART NO.	Shutter & Socket Color	Form
LGC-SAE300	Black	
" - " A	Blue	
" - " B	Green	
" - " C	Black	●
" - " D	Blue	●
" - " E	Green	●



LTR.	DATE	BY	REV.	DESCRIPT	No.	PART NAME	MATERIAL	QTY	FINISH	NOTE
△3					4	Warning Label	Synthetic Resin	1	————	Symbol & Border:Black Ground:Yellow
△2					3	Coil Spring	Stainless Steel	1	————	————
△1					2	Shutter	PPS Resin	1	————	See Table1
					1	Socket	PPS Resin	1	————	See Table1

DATE		SCALE		UNIT		3RD. A. P		HONDA TSUSHIN KOGYO CO., LTD.			
APP. DATE & REV.								NAME		Attachment system shutter	
JAN. 15. 2003		2 / 1		mm (INCH)				PART NO.		LGC-SAE300 ()	
DR.	DE.	CHK.	CHK.	APP.							
K. TOMOYASU	K. TOMOYASU	T. TODA	—	T. NAKANO							