

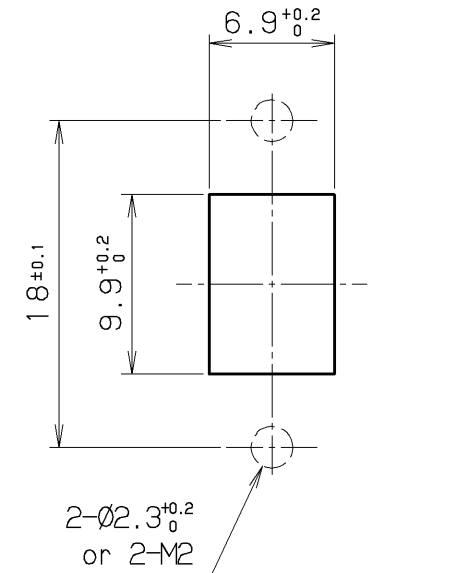
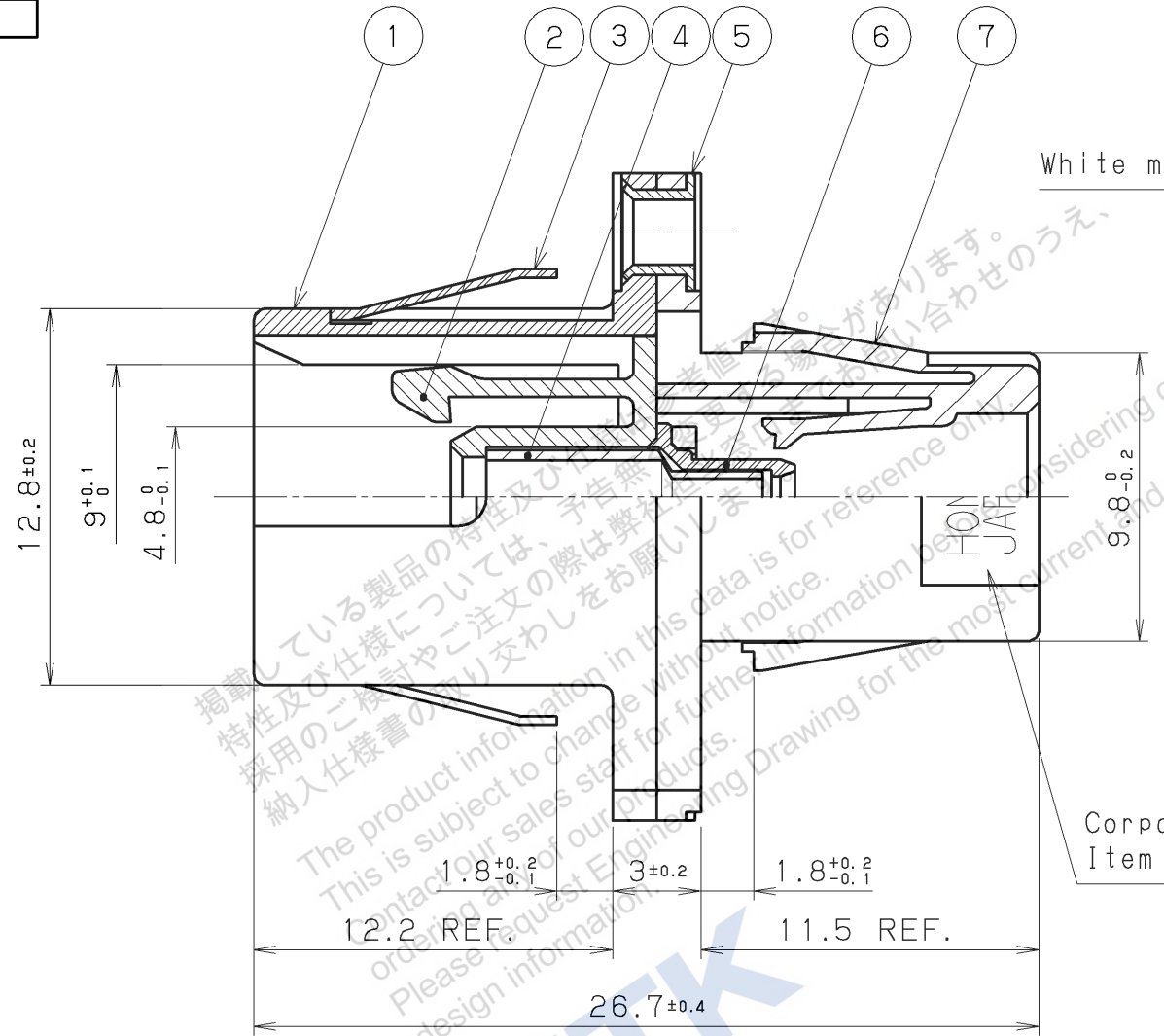
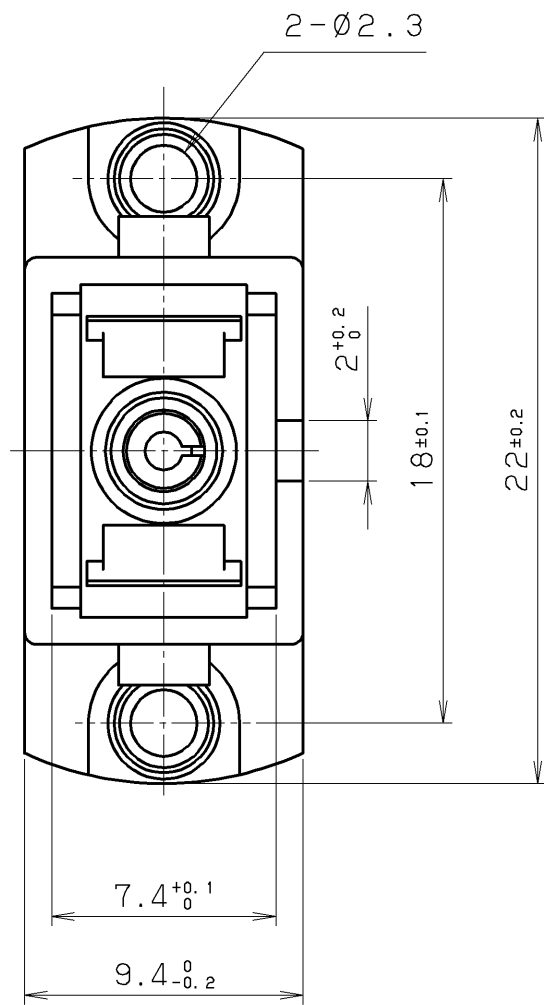
Note1: This item is RoHS compliant,

Note2: Specification (LD Optical Source: 1310nm)  
Insertion Loss: 0.5dB or less

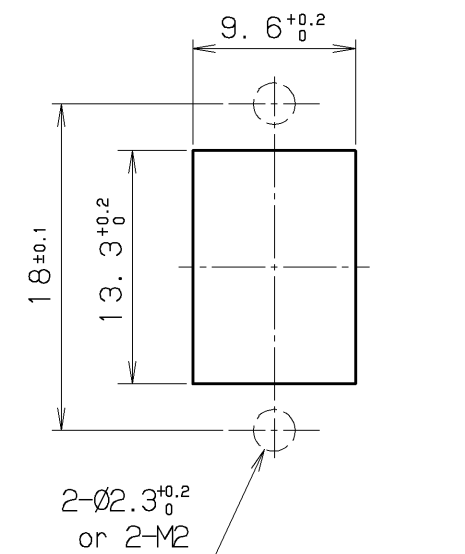
Note3: Caps are assembled to this part.

Table

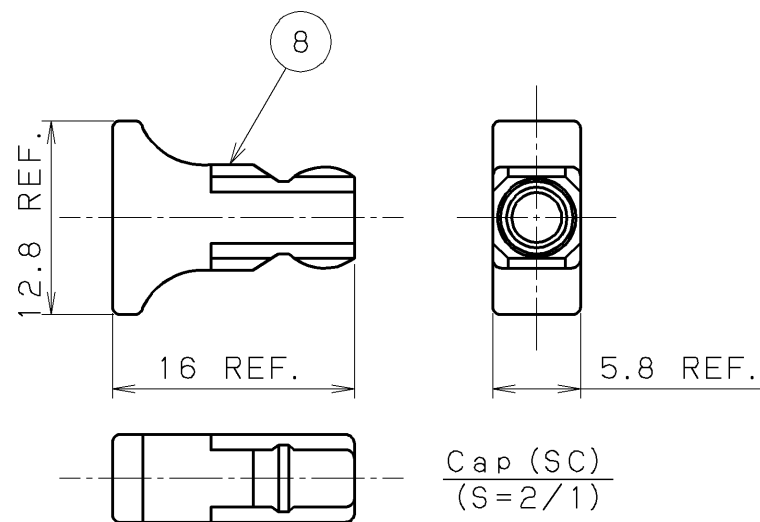
Part No.	Material of alignment sleeve
LGC-A600/A302+R	Phosphor bronze
LGC-A600/A302Z+R	Zirconia



MU side Mounting Hole Size (t:1.6)



SC side Mounting Hole Size (t:1.6)



Cap (SC)  
(S=2/1)

Cap (MU)  
(S=2/1)

9	Cap (MU)	PBT Resin	1	—	See to Note3
8	Cap (SC)	PP Resin	1	—	See to Note3
7	Adaptor Housing (MU)	PPS Resin	1	—	—
6	Sleeve Holder	Brass	1	Nickel Plated	—
5	Clamping Ring	Steel	2	Nickel Plated	—
4	Conversion Alignment Sleeve	See to table	1	—	—
3	Plate	Stainless Steel	1	—	—
2	Sleeve	PPS Resin	1	—	—
1	Adaptor Housing (SC)	Zinc Alloy	1	Nickel Plated	—

LTR.	DATE	BY	REV.	DESCRIPT	No.	PART NAME	MATERIAL	QTY	FINISH	NOTE
	Jan. 30 (2007)		4/1							
DATE						SCALE	UNIT	3RD. A. P		
APP. DATE&REV.							mm (INCH)	HONDA TSUSHIN KOGYO CO., LTD.		
DR.	DE.	CHK.	CHK.	APP.	NAME		Converter for SC to MU (Type of Adaptor) (RoHS)			
N. GOTO	—	T. YOSHIKAZI	Y. OHKUBO	T. EGUCHI	PART NO.		LGC-A600/A302 ( ) +R			
							REV.			